



A-DEC INC.
2601 CRESTVIEW DRIVE
POST OFFICE BOX 111
NEWBERG, OREGON 97132 USA
TELEPHONE (503)-538-9471

DESIGNATED E.U. REPRESENTATIVE:
A-DEC DENTAL U.K., LTD.
AUSTIN HOUSE
11 LIBERTY WAY
ATTEBOROUGH FIELDS INDUSTRIAL ESTATE
NUNEATON, WARWICKSHIRE
ENGLAND CV11 6RZ
PHONE: 0800-ADECUK (233285) WITHIN UK
00 44 24 7635 0901 OUTSIDE UK

A-DEC AUSTRALIA
41-43 BOWDEN STREET
ALEXANDRIA, N.S.W. 2015
AUSTRALIA
TELEPHONE (61) 1.800.225010

CHECK WITH LOCAL CODE AUTHORITIES ABOUT INSTALLATION REQUIREMENTS FOR THIS PRODUCT

INSTALLATION INSTRUCTIONS

PREFERENCE® II 5551 TREATMENT CONSOLE

YOU WILL NEED:

- Hardware kits and yellow kit usage card
- 7/16" or adjustable wrench
- Leveling device
- Phillips screwdriver
- Flat-blade screwdriver

BEFORE BEGINNING THIS INSTALLATION

WARNING

To avoid injury from electrical shock, turn off electricity to the Preference II utilities before beginning this installation.

The utilities must be installed according to prevailing building codes and the Preference II floor template, A-dec Template Publication Number:

Right Hand: 85.0305.00

Left Hand: 85.0305.01

Be sure the floor mounted anchor bolts and clips are properly installed. Refer to the floor template and to **A-dec Publication 85.0322.00**.

NOTE

If the manual shutoff valves have not been installed, install them now.

INSTALL THE LOWER ASSEMBLY

1. Remove the tape used to secure the back panel during shipment. Remove the back panel from the treatment console (see *Figure 1*).



FIGURE 1

- Remove the front doors, shelves, and slide-out storage tubs or drawers.

NOTE

The doors are fitted with quick-disconnect hinges. To remove a door, pull on the quick-release levers at the rear of the hinges (see Figure 2).

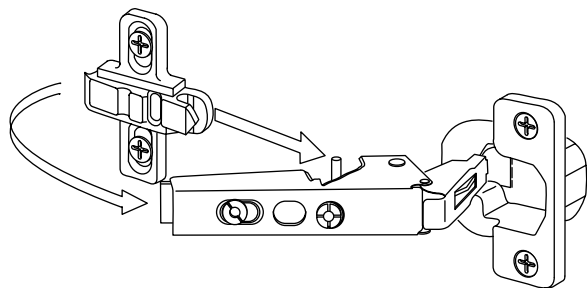


FIGURE 2

The assistant's instrumentation tubing must be channeled through the unit prior to positioning the treatment console against a wall. Refer to the document that came with the Assistant's Instrumentation, A-dec Publication No. 85.0528.00 or 85.0548.00, to channel the assistant's tubings through the treatment console.

POSITION THE LOWER MODULE

- If you are installing the treatment console against an operatory wall, reposition the back panel on the treatment console.
- Place the lower assembly over the plumbing. Locate the yellow card which shows hardware kit usage (A-dec Publication No. 85.0929.10). Refer to it for this installation.

NOTE

More than one Preference II task light can be wired to the master switch. Refer to the wiring diagram (A-dec Publication No. 85.0323.00). Electrical wiring should be connected only by a qualified electrician.

- Connect the Preference wiring to the office wiring.

INSTALL THE COUNTERTOP

- Using a Phillips screwdriver, remove the top screw and loosen the bottom screw on both sides of the accessory panel (see Figure 3), then remove the panel and attached brackets.

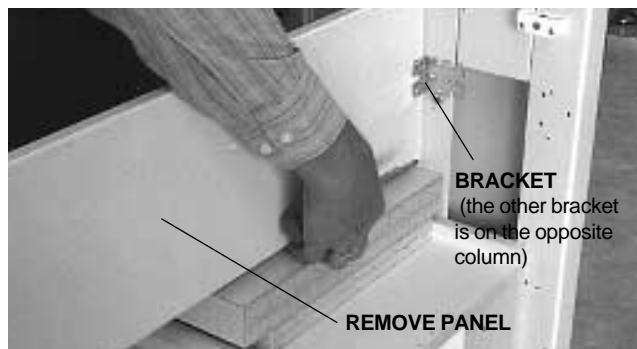


FIGURE 3

- While holding the middle slide forward, position the countertop as shown in Figure 4. Now lower the countertop, then push backwards until the locating screws drop into the larger holes in the lower module. Be sure the magnet is behind the striker (see Figure 4).

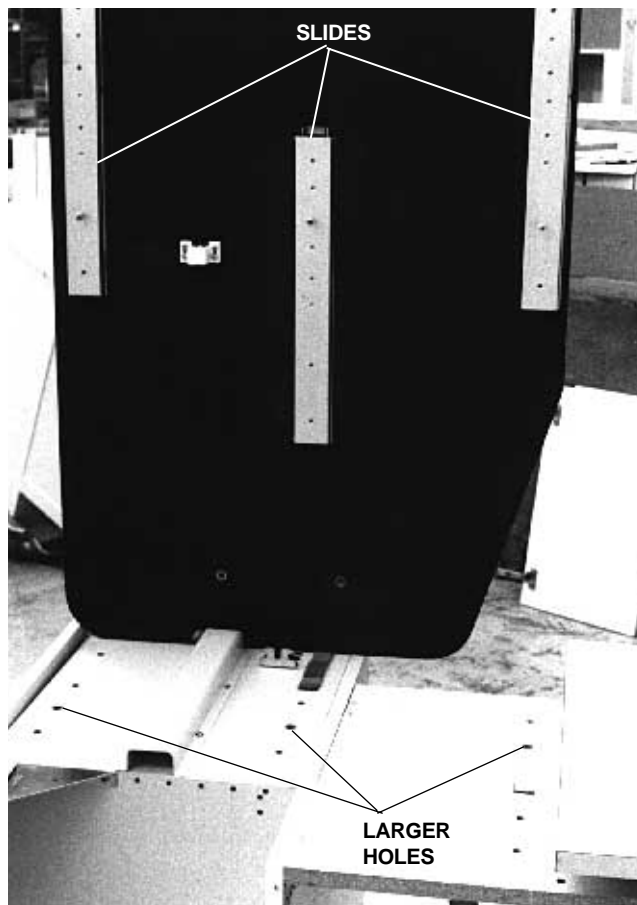


FIGURE 4

3. Remove the 10-32 x $\frac{3}{8}$ " (9.5 mm) long Phillips screw from the kit and loosely install it in the position shown in Figure 5. This bracket is located in the rear of the treatment console.



FIGURE 5

4. Remove the five 10-32 x $\frac{7}{8}$ " (22.2 mm) long Phillips screws from the kit.
5. Loosely install three of the screws in the assistant's module as shown in Figure 6. Install one screw in the center front hole and two screws in the back corner holes.



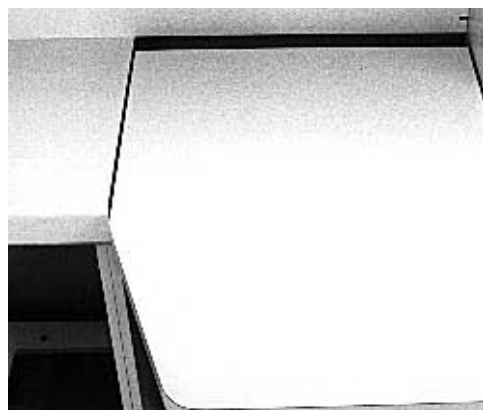
FIGURE 6

6. Loosely install two of the screws through the top of the console, in the nitrous oxide module, and into the slides of the countertop as shown in Figure 7.

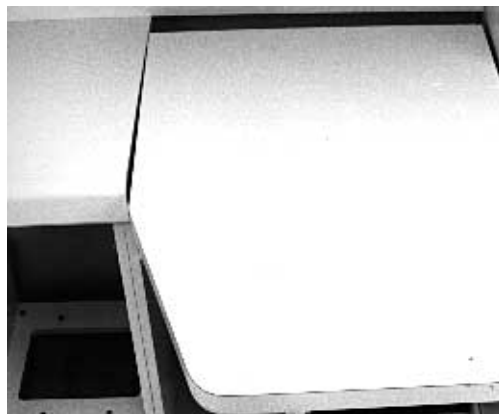


FIGURE 7

7. Be sure the countertop is properly aligned (see Figure 8). Tighten the screws installed in steps 3 through 6.



CORRECT ALIGNMENT



INCORRECT ALIGNMENT

FIGURE 8

LEVEL AND SECURE THE LOWER ASSEMBLY

1. Level the lower assembly: Place a level on the countertop, then level the assembly side-to-side and front-to-back using the leveling feet (see Figure 9).



FIGURE 9

Use the level to ensure both columns are perpendicular. If the columns are not perpendicular, loosen the screws securing the columns to the lower assembly (two on each side), adjust the columns, then retighten the screws.

2. Secure the sub-base to the floor by tightening the mounting clips to the sub-base (see Figure 10).

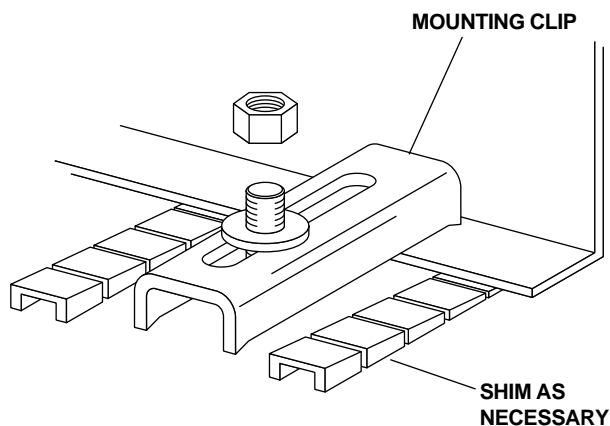


FIGURE 10

INSTALL THE ACCESSORY PANEL AND SHELF

1. Install the accessory panel removed in step 6.
2. Place the shelf in position. Using a flat-blade screwdriver, turn the locking screws clockwise to lock the shelf in place (see Figure 11).

IMPORTANT

If the treatment console is being installed against a wall, do not lock the shelf down. Remove the shelf to access the optional equipment mounting area.



FIGURE 11

INSTALL THE UPPER ASSEMBLY

WARNING

To avoid injury, be sure the glass doors are secure in their hinges before lifting the upper assembly into place.

1. Install a star washer on each of the four 7/8" hex head bolts from the kit (refer to the yellow card).

IMPORTANT

To ensure proper electrical grounding of the console, a star washer must be installed on each bolt securing the upper assembly to the columns.

2. Carefully lift the upper assembly into place on the columns. While holding the module in place, install the four bolts and star washers (two on each side) to secure it to the columns (see *Figure 12*).



FIGURE 12

3. Plug the master panel power cord into the receptacle in the column.
4. Open the upper assembly doors and install a plastic cover from the kit on each of the eight exposed screw heads.
5. Be sure the upper assembly is correctly aligned (see *Figure 13*).

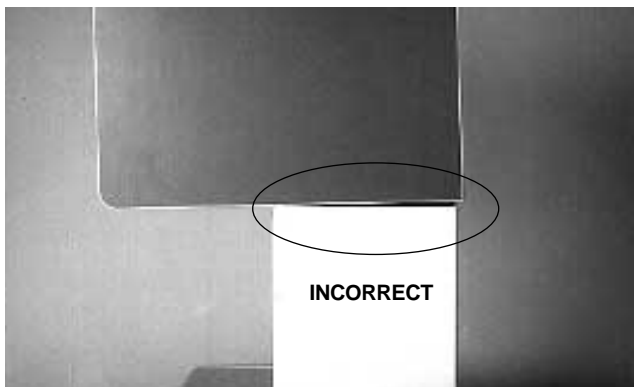
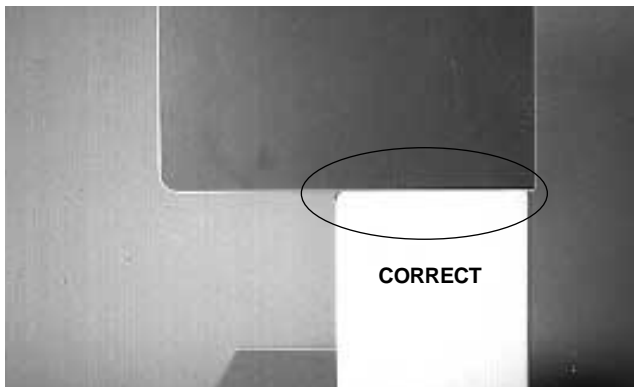


FIGURE 13

6. If you need to correct the alignment: Loosen the four bolts (two on each side) that hold the cabinet (see *Figure 14*), then straighten the cabinet and tighten the bolts.



FIGURE 14

CONNECT THE UTILITIES (Assistant's Console Only)

1. Locate the plumbing kit (refer to the yellow hardware kit usage card).
2. Connect the air-operated water shutoff valve to the manual shutoff valve in the sub-base of the console.
3. Connect the air tubing to the manual air shutoff valve in the sub-base of the console.

INSTALL THE HANDPIECE CONTROL AND CENTRAL VACUUM KIT

Complete Installation Instruction 85.0528.00 or 85.0548.00, as required, then continue with this instruction.

INSTALL THE BACK PANEL

If installing the unit against a wall, go to step 2.

1. Lift the panel into place on the sub-base (see Figure 15), and engage the strike screws with the clothes pin latches on the underside of the shelf. Go to step 8.



FIGURE 15

2. Remove the shelf by lifting it out.
3. Move the strike screws to the outside holes in the back panel (see Figure 16). **DO NOT SCREW IN THE STRIKE SCREWS BEYOND THE THREADS.**



FIGURE 16

4. Remove four 1/4"-20 x 1/2" (12.7 mm) long Phillips screws and two panel mounting brackets from the hardware kit (refer to the yellow hardware kit usage card).
5. Use two of the Phillips screws to install a bracket to a column (see Figure 17). Install one panel mounting bracket to each column.

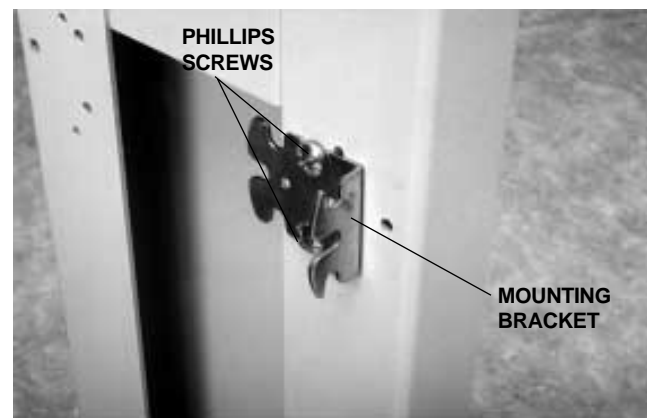


FIGURE 17

- Remove two 10 x 5/8" (15.9 mm) long Phillips screws from the hardware kit (refer to the yellow hardware kit usage card). Install the panel to the brackets using one Phillips screw per bracket (see Figure 18).

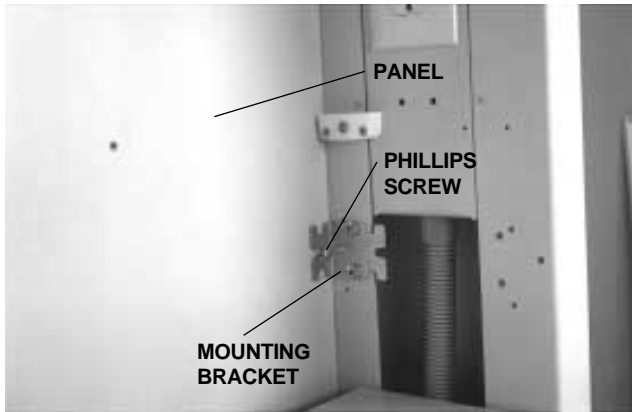
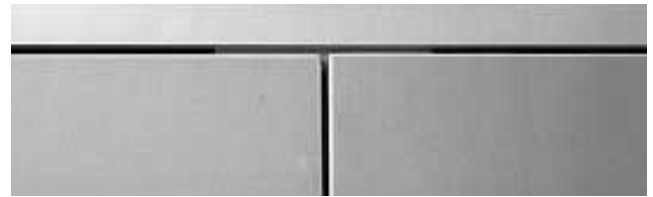


FIGURE 18

- Install the shelf onto the strike screws. Be sure the strike screws go into the holes in the shelf.
- Install the tray rack, tub rack, or shelf supports and shelf. Install the doors and drawers.

ADJUST THE CABINET DOORS

- The cabinet doors on the Preference II are adjustable for depth, height, and side-to-side alignment (see Figure 19 for correct alignment).



CORRECT



INCORRECT

FIGURE 19

For door adjustment procedures, refer to Figure 20 and do the following:

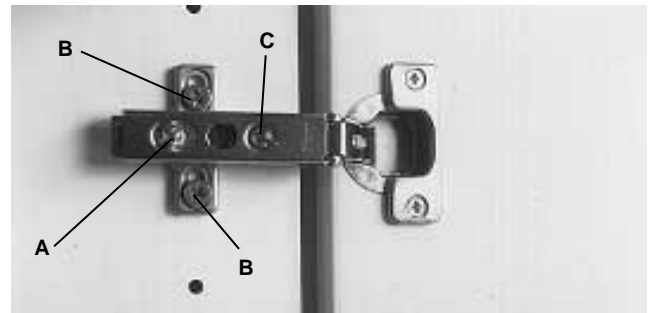


FIGURE 20

Depth Adjustment:

Loosen screw "A" on both the upper and lower door hinges one full turn. Move the door in or out to the desired depth and tighten the screws.

Height Adjustment:

Loosen screws "B" on both the upper and lower door hinges one-quarter turn. Move the door up or down to the desired position and tighten the screws.

Side-to-Side Adjustment:

Turn screw "C" on both the upper and lower door hinges until the door is in the desired position.

A properly adjusted door should open and close without binding or rubbing. The door should also be evenly spaced in the opening, with no excessive gaps.

ADJUST THE GLASS DOORS

1. A properly adjusted glass door should open and close without binding or rubbing. The door should be evenly spaced in the opening, with no excessive gaps (see *Figure 21* for proper glass door alignment).



CORRECT



INCORRECT

FIGURE 21

If a glass door needs adjustment, loosen the screws at the hinge (see *Figure 22*), straighten the door, then tighten the screws.

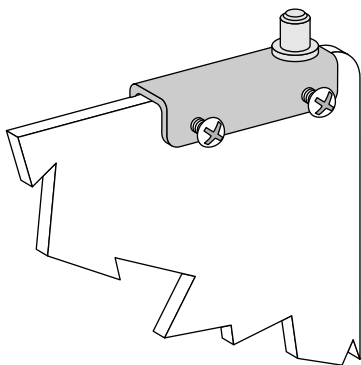


FIGURE 22

ADJUST DRAWER PUSH-LATCHES

1. Remove the drawer, then remove the retaining pin from the barrel of the push-latch (see *Figure 23*).

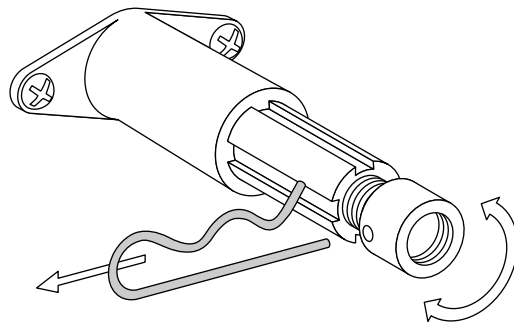


FIGURE 23

Turn the adjusting barrel, one-half turn at a time, in or out as necessary. Test the latch, and adjust the barrel again if necessary.

Install the push-latch barrel retaining pin, then reinstall the drawer.

BEFORE LEAVING THE FACILITY

1. Distribute the Owner's Guide (***A-dec Publication No. 85.0677.00***). Instruct the dental team on the proper operation and maintenance of the treatment console.



Recycle
Conserve
Made with 10% post-consumer fiber

Printed in USA
Copyright © 1997
All Rights Reserved