



A-DEC INC.
2601 CRESTVIEW DRIVE
POST OFFICE BOX 111
NEWBERG, OREGON 97132 USA
TELEPHONE (503)-538-9471

DESIGNATED E.U. REPRESENTATIVE:
A-DEC DENTAL U.K., LTD.
AUSTIN HOUSE
11 LIBERTY WAY
ATTLEBOROUGH FIELDS INDUSTRIAL ESTATE
NUNEATON, WARWICKSHIRE
ENGLAND CV11 6RZ
PHONE: 0800-ADECUK (233285) WITHIN UK
00 44 24 7635 0901 OUTSIDE UK

A-DEC AUSTRALIA
41-43 BOWDEN STREET
ALEXANDRIA, N.S.W. 2015
AUSTRALIA
TELEPHONE (61) 1.800.225010

CHECK WITH LOCAL CODE AUTHORITIES ABOUT INSTALLATION REQUIREMENTS FOR THIS PRODUCT

INSTALLATION INSTRUCTIONS

PREFERENCE® II 5557 TREATMENT CONSOLE, WITH TWO WASH STATIONS



**5557 TREATMENT CONSOLE WITH TWO WASH STATIONS,
AND CASCADE 3180 DOCTOR'S AND ASSISTANT'S DELIVERY SYSTEM**

WARNING

To avoid injury from electrical shock, turn off electricity to the Preference II utilities before beginning this install.

YOU WILL NEED:

- Leveling device
- Phillips screwdriver
- Wrenches: 7/16", 1/2" (or adjustable)
- 5/32" hex key

BEFORE BEGINNING THIS INSTALL

The utilities must be installed according to prevailing building codes and the Preference II floor template, A-dec Template Publication Number:

Right Hand: 85.0531.00

Left Hand: 85.0531.02

NOTE

If the manual shutoff valves have not been installed, install them now.

Be sure the floor mounted anchor bolts are properly installed. Refer to the floor template and A-dec Publication No. 85.0322.00.

UNPACKAGE THE UNIT

1. Remove the treatment console from the packaging. Locate all of the hardware kits.
2. Remove the screws which secure the shipping back to the left-hand lower module (see Figure 1).

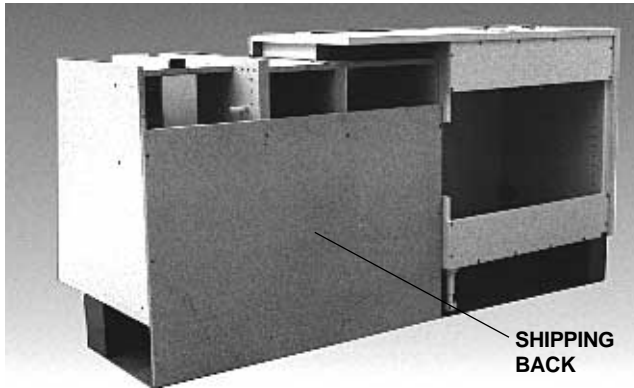


FIGURE 1

3. Remove the doors and drawers from the large lower module (see Figure 2).

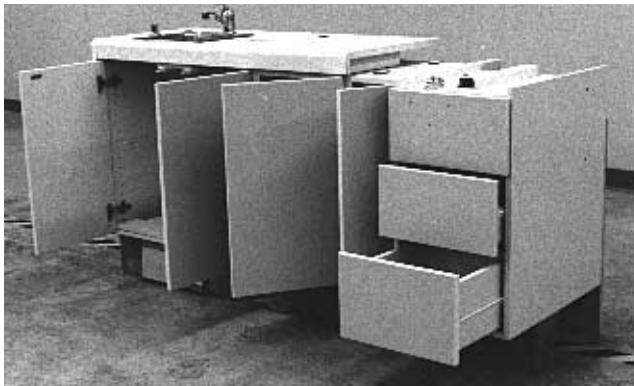


FIGURE 2

The doors are fitted with quick disconnect hinges. To remove a door, pull on the quick release levers at the rear of the hinges (see Figure 3).

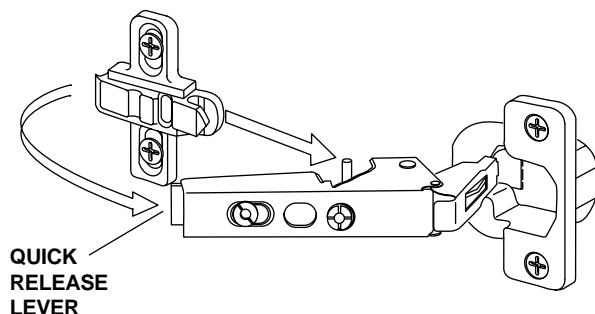


FIGURE 3

4. Locate the stabilizing leg, in the back of the module (see Figure 4). Be sure the stabilizing leg is in the full up position.

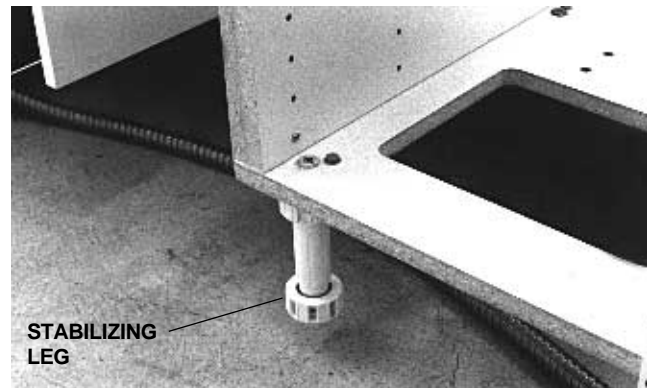


FIGURE 4

CAUTION

If the stabilizing leg is lowered, it can be broken when the module is moved into position. Be sure the stabilizing leg is in the full up position.

The assistant's instrumentation tubing must be channeled through the unit prior to positioning the treatment console against a wall. Refer to the document that came with the Assistant's Instrumentation, A-dec Publication No. 85.0528.00 or 85.0548.00, to channel the assistant's tubings through the treatment console.

POSITION THE LOWER MODULES

1. Move the large lower module into position, with the back of the module 2" to 3" (50.8 to 76.2 mm) from the wall. This allows installation of the upper sections of the console with a minimum of difficulty.

- Remove the false bottom from the small lower module (see Figure 5). Locate the plastic stabilizing leg in the back of the module (see Figure 4 on page 2). Be sure the stabilizing leg is in the full up position. Move the small module into position. Align the back of this module with the back of the module positioned in step 1.

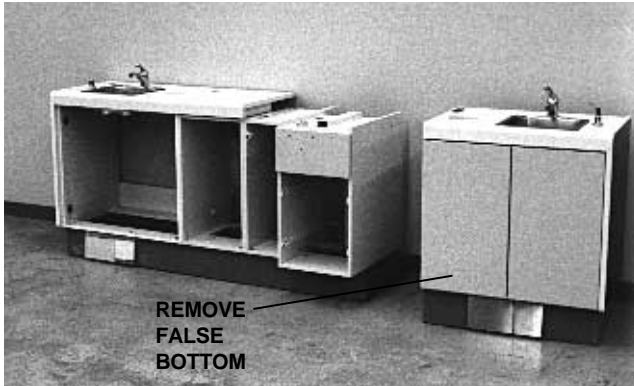


FIGURE 5

- Locate Kit No. 55.2586.00 (Ship Kit, Treatment Console, Double Sink) and remove Kit No. 55.2584.00. Remove the short and long barrel connectors (see Figure 6).

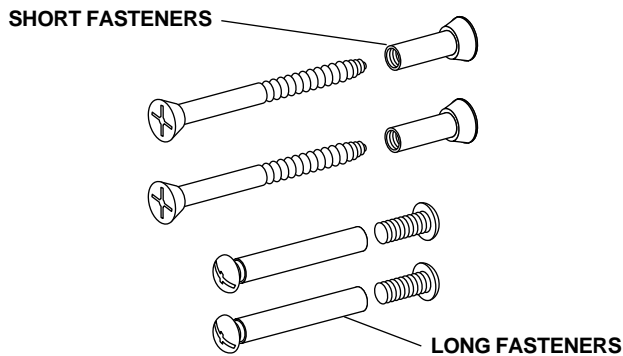


FIGURE 6

- Remove the four screws which secure the false front to the large lower module (see Figure 7).

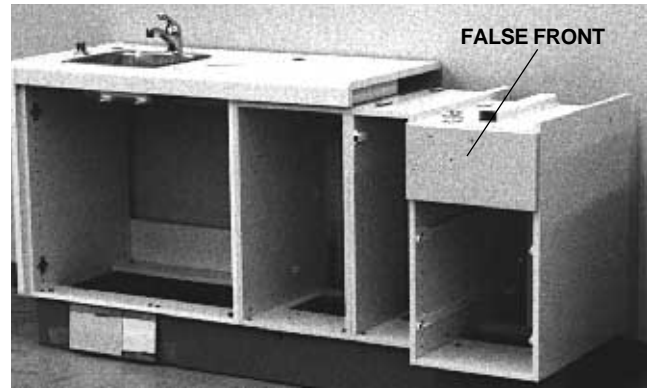


FIGURE 7

- Insert the two short barrel connectors through the wall of the large lower module in the positions shown in Figure 8.

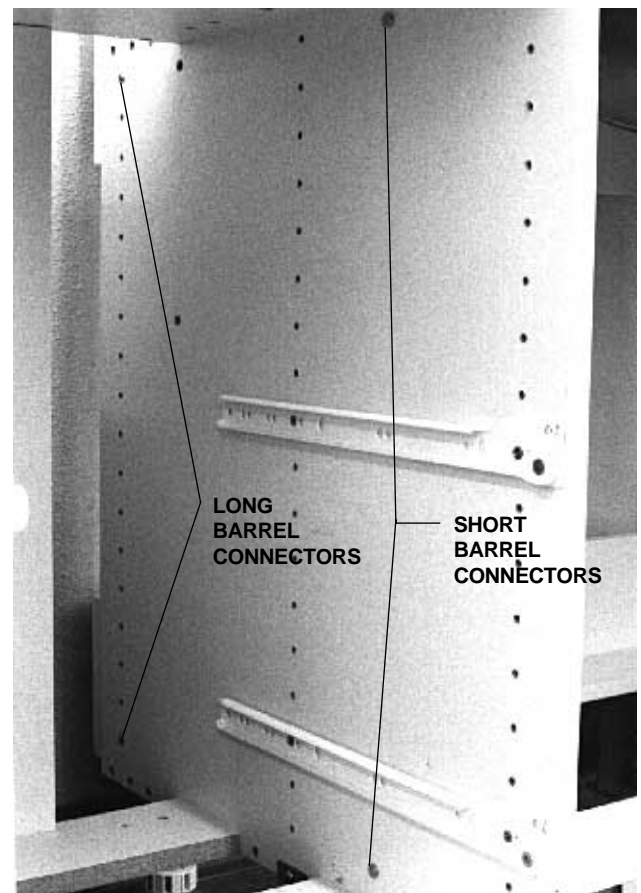


FIGURE 8

- Insert the two long barrel connectors through the wall of the large lower module in the position shown in Figure 8.

7. Install the fasteners through the wall of the small lower module, into the barrel connectors, as shown in Figure 9. Tighten the fasteners.

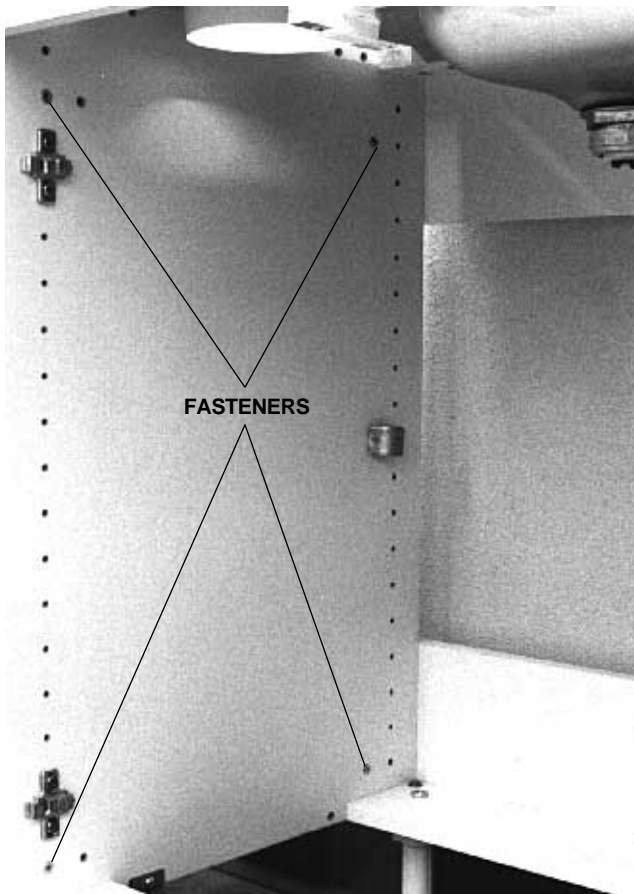


FIGURE 9

INSTALL THE UPPER MODULES

1. Locate the upper module which will be installed on the left end of the console.

WARNING

The upper modules are heavy. To protect against personal injury, have an individual assist with this portion of the installation.

Be sure the glass doors are secure in their hinges before lifting the upper assembly into place.

2. Place a piece of cardboard on the surface of the lower modules. This will protect the countertop while the upper modules are installed.
3. Lay the upper module on the cardboard and channel the electrical conduit down, into the lower module (see Figure 10).

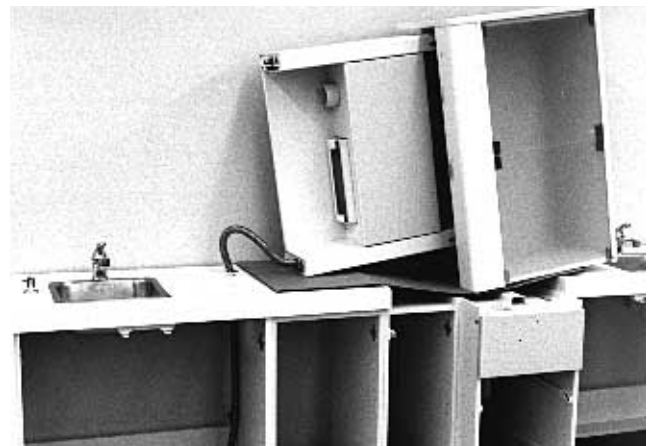


FIGURE 10

4. Locate Kit No. 55.1782.00 (Mounting Kit, Mid-Section to Countertop).
5. Tip the upper module into position while continuing to pull the electrical conduit down into the lower module.

- Loosely install the four black 1/4-20 x 50 mm (approx. 2") screws, from Kit No. 55.1782.00, up through the lower module and into the upper module (see Figure 11).

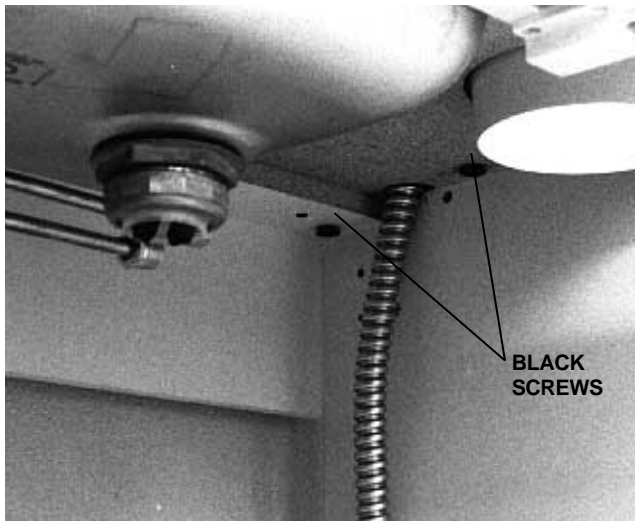


FIGURE 11

- Locate the upper module which will be installed on the right end of the console. Repeat steps 2 through 6 to install this module (see Figure 12).

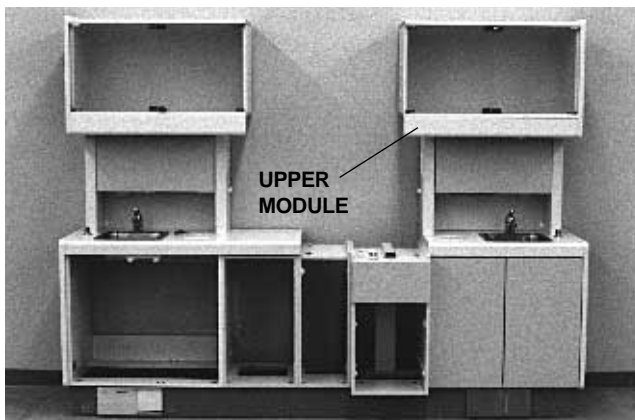


FIGURE 12

INSTALL THE BACK

- Locate the back. Note the upper edge of the back has a "v" shaped trim strip which must lay flat when the upper is installed. Remove the two gold-colored Phillips screws from Kit No. 55.2582.00 and install them in the pre-drilled holes in the back. The unthreaded shank of the screws should be visible.
- Hold the back by the two pins in the middle of the back. Rotate the back as shown in Figure 13 and place it against the wall between the two upper modules.



FIGURE 13

- Rotate the back to the proper horizontal orientation and pull it into the position shown in Figure 14.

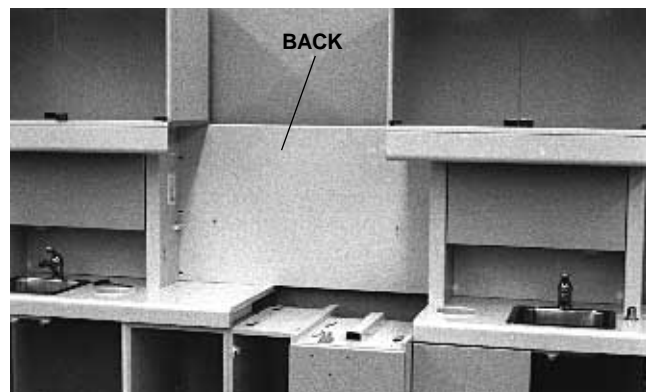


FIGURE 14

- Use a Phillips screwdriver to close the three cam lock screws on the right side of the back. Do not lock the three cam lock screws on the left side of the back (see Figure 15). Locking the cam lock screws will make it difficult to install the upper unit in the middle position.

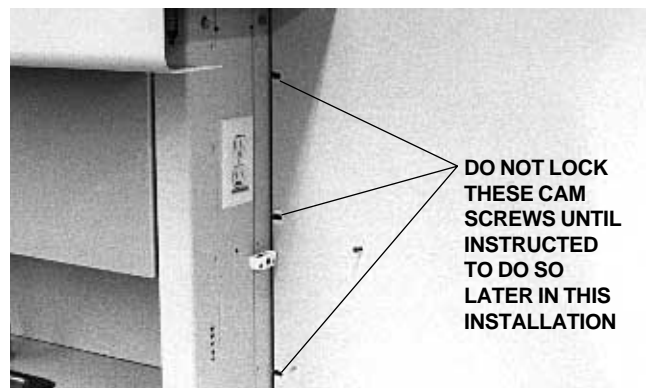


FIGURE 15

- Gently slide the entire assembly back against the wall.

INSTALL THE MIDDLE UPPER UNIT

1. Locate Kit No. 55.2585.00 and place the contents (eight 10-32 x 1" pan head Phillips screws, and eight caps), and a Phillips screwdriver, on one of the cabinet tops before installing the upper unit.

WARNING

The upper unit is heavy. To avoid personal injury and potential damage to the upper unit, have a second individual assist with this portion of the installation.

2. Lift the upper into position and rest it on the backboard. Have one individual hold the upper in position (see Figure 16) while the other installs four screws in the positions shown in Figure 17, through both upper modules and into the middle upper unit.



FIGURE 16

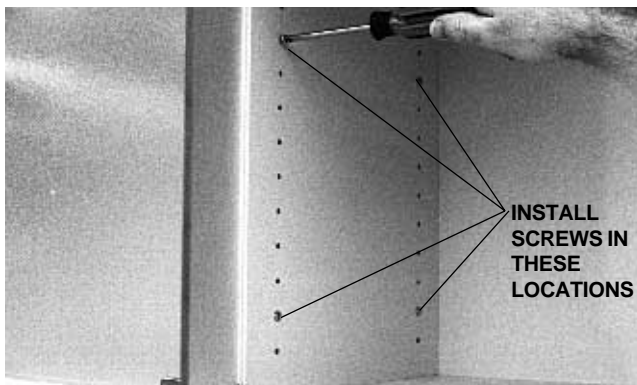


FIGURE 17

3. Close the three cam lock screws on the left side of the back (see Figure 15 on page 6).
4. Align the upper with the previously installed uppers, then tighten the four screws which secure the left and right upper modules to the lower unit. Secure the electrical conduit to the inside of the cabinetry (see Figure 18).

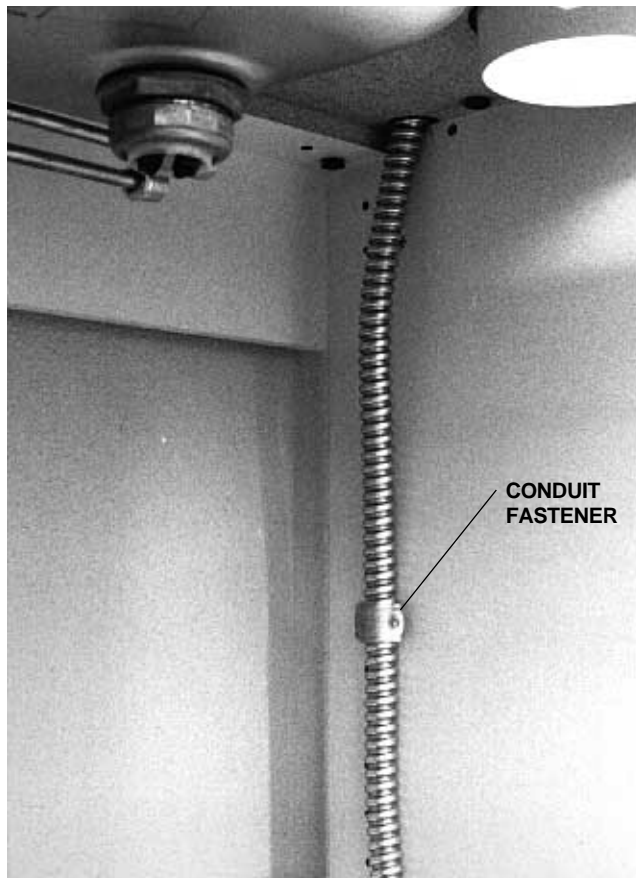


FIGURE 18

CONNECT THE TASK LIGHT WIRING

1. Route the wiring through the holes in the divider end caps (see Figure 19 on page 7, the wiring is shown outside of the end caps for clarity). Connect the treatment console wiring as shown.

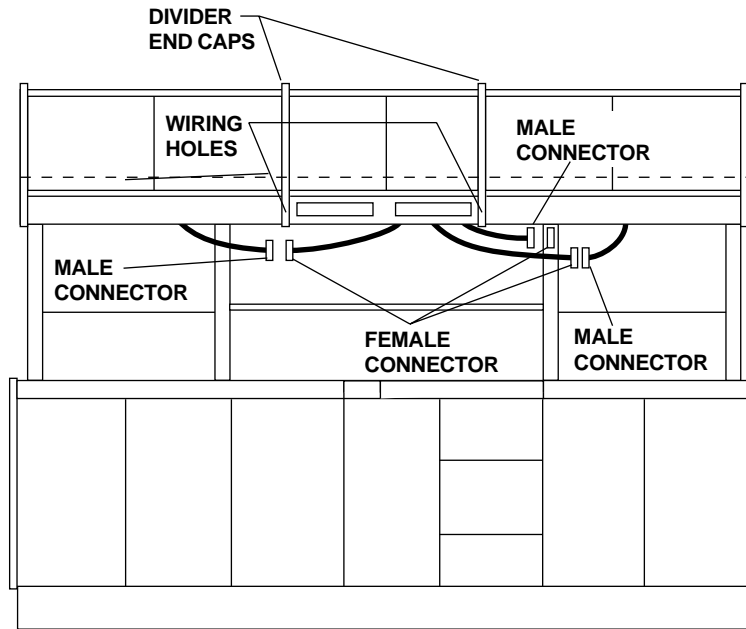


FIGURE 19

INSTALL THE COUNTERTOP

1. Locate Kit No. 55.2169.00.
2. Identify the three larger holes in the lower module (see *Figure 20*). These holes accept the heads of the three locating screws installed in the slides of the countertop (see *Figure 21*).

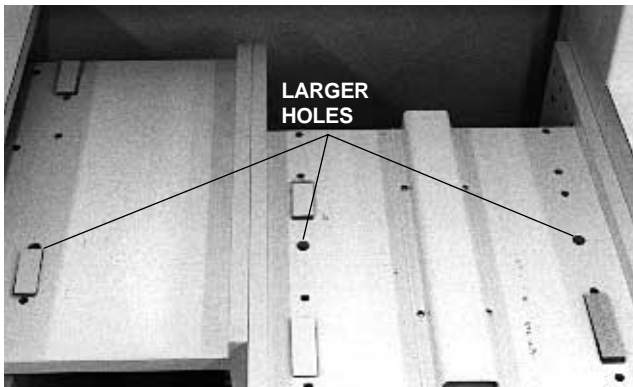


FIGURE 20

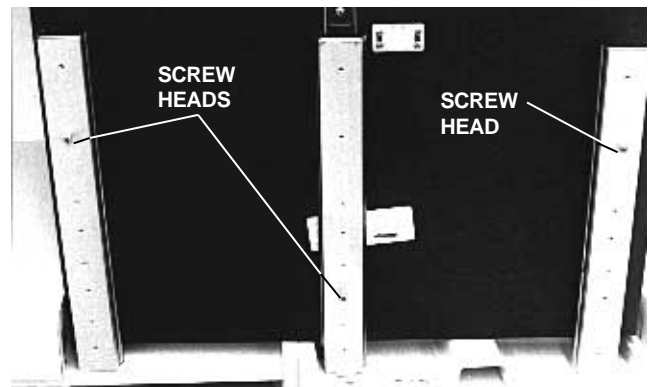


FIGURE 21

3. While holding the middle slide forward, position the countertop over the lower module. Lower the countertop, then push the slides forward or backward until the locating screws drop into place. Be sure the magnet is behind the striker.

4. **Loosely** fasten the countertop to the lower module using the six 10-32 x 7/8" (22.2 mm) Phillips head screws from the kit. Four screws are installed, up into the slides, in the small lower module. Two screws are installed in the nitrous oxide module (see Figure 22).

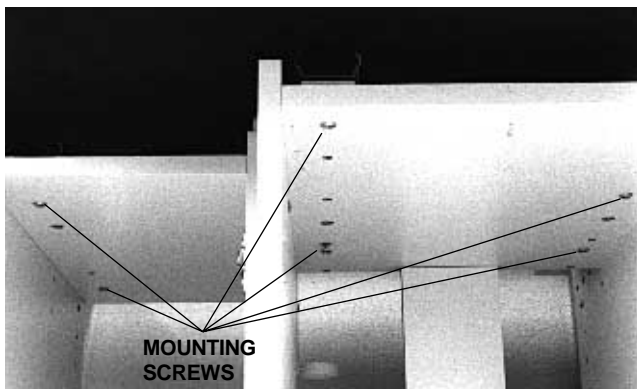


FIGURE 22

5. Make sure the countertop is properly aligned (see Figure 23) before tightening the screws.



CORRECT ALIGNMENT



INCORRECT ALIGNMENT

FIGURE 23

6. Reinstall the false front, removed from the lower module.

INSTALL THE ACCESSORY PANEL AND SHELF

1. Locate Kit No. 55.2582.00.
2. Install a 1/4-20 x 1/2" (12.7 mm) pan head Phillips screw, from the kit, in the lower hole of each upper module column (see Figure 24).

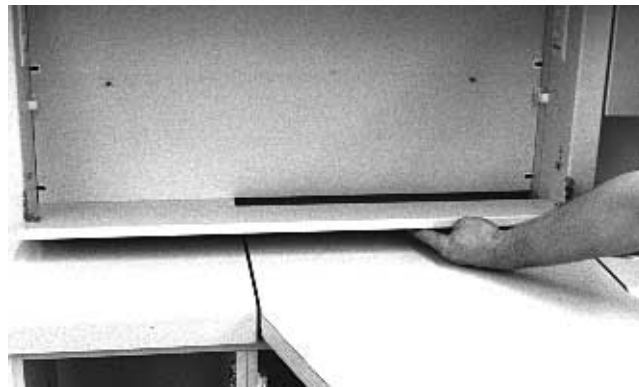


FIGURE 24

3. Place the bottom notches in the brackets attached to the accessory panel on the two screws. Rotate the panel up into position and install the remaining two screws through the upper notches, into the upper module columns. Tighten all four screws.
4. Place the shelf on the two connectors at the back of the module and set the front of the shelf on the top of the accessory panel.
5. Install the cover caps on the four visible cam lock screws (see Figure 25).



FIGURE 25

LEVEL AND SECURE THE ASSEMBLY

1. Place a level on the countertop. Level the assembly side-to-side and front-to-back using the leveling feet (see *Figure 26*).



FIGURE 26

2. Turn the stabilizing legs (see *Figure 4 on page 2*) clockwise to extend them until they contact the floor.
3. Secure the sub-base to the floor by tightening the mounting clips to the sub-base (see *Figure 27*).

CAUTION

The clips must be properly installed.
Refer to the floor template and to A-dec
Publication 85.0322.00.

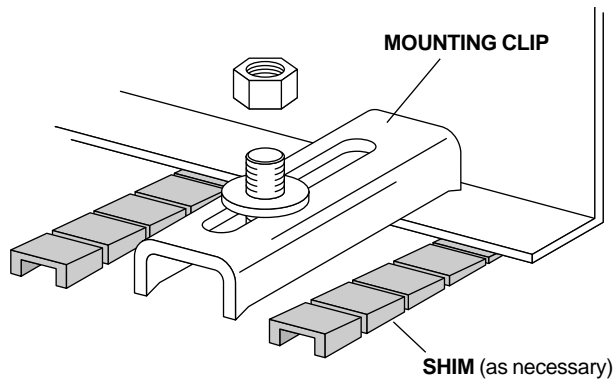
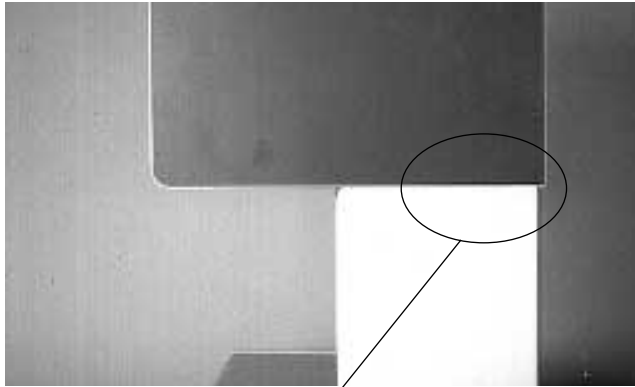


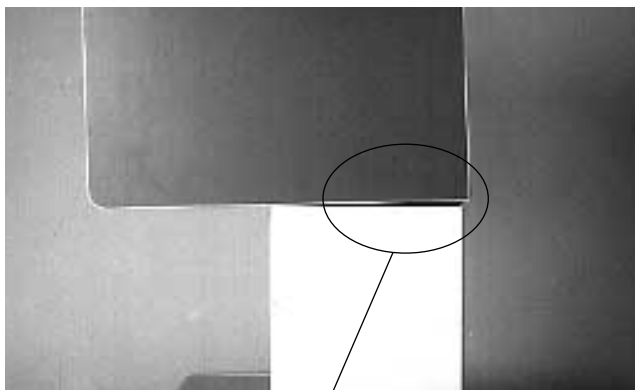
FIGURE 27

ALIGN THE UPPER MODULES

1. Be sure the upper assembly is correctly aligned (see *Figure 28*).



CORRECT ALIGNMENT



INCORRECT ALIGNMENT

FIGURE 28

2. To correct the alignment:

Loosen the eight bolts that secure the upper modules to the columns (see *Figure 29*). Straighten the upper modules and tighten the bolts.



FIGURE 29

INSTALL UPPER SHELVES

1. Have the Doctor specify the location of the upper module shelves.
2. Install the shelf supports in the appropriate holes (see *Figure 30*).

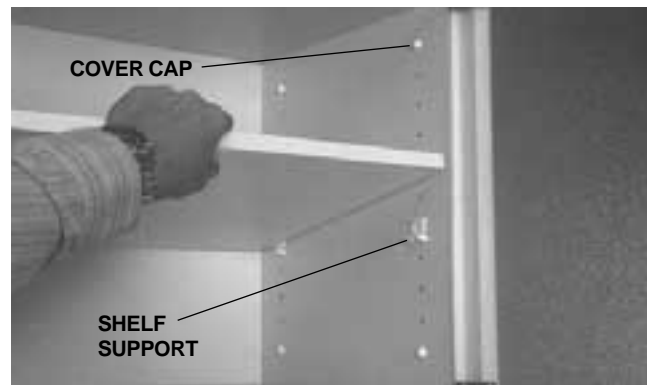


FIGURE 30

3. Place the shelf in the module and rest it on the shelf supports.
4. Place the cover caps over the fasteners in the upper modules.

CONNECT WIRING

1. Connect the Preference II wiring to the office wiring.

NOTE

More than one Preference II task light can be wired to the master switch.

Refer to A-dec Publication No. 85.0323.00 for a typical wiring diagram illustrating this type of connection.

Electrical wiring should be connected by a qualified electrician.

PLUMB THE WASH STATION

1. Slide two brass washers and a brass nut over the small end of both three foot long gray tubings (see Figure 31). Insert the gray tubings into the mixing valve supply lines. The nipple end must be toward the mixing valve. Slide the washers and nut

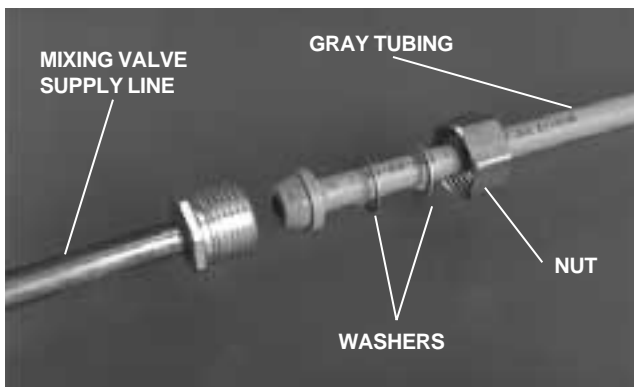


FIGURE 31

onto the mixing valve supply line and tighten firmly.

2. Remove the nuts from the manual shutoff valves, then discard the brass compression sleeves. Slide the nut and a new plastic compression sleeve onto both gray tubings (see Figure 32). Be sure the tapered end of the compression sleeve is pointed toward the manual shutoff valve. Firmly tighten each nut.

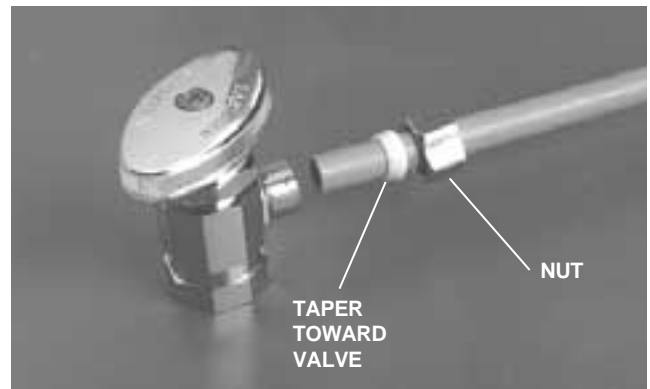


FIGURE 32

3. Cut both gray tubings 6" (152.4 mm) from the manual shutoff valves.
4. Remove the nuts from each of the air-actuated valves. Discard the brass compression sleeves if present, and install plastic compression sleeves. Slide the nuts and new plastic compression sleeves onto the newly cut gray tubing. Be sure the tapered end of the compression sleeve is pointed toward the valve. Install the two valves, with the flat manifold "step" toward the mixer valve, then tighten the nuts (see Figure 33).

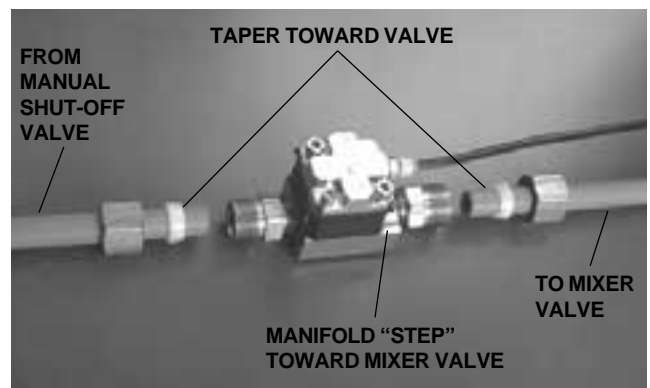


FIGURE 33

IMPORTANT

The air-actuated valves **must** be installed with the flat manifold "step" toward the mixer valve.

5. Complete the faucet installation according to the instructions packaged with the faucet.
6. Connect the master air tubing (1/8" yellow with red stripe tubing), which comes from the toe plate valve, to the tee in the master air tubing coming from the utilities.

INSTALL THE WASH STATION DRAIN

GRAVITY DRAIN

1. Connect the wash station to the office drain in accordance with prevailing local plumbing codes.
Go to *INSTALL THE SOAP DISPENSER*.

VACUUM DRAIN

1. The vacuum wash station drain requires a minimum of 12-inches (304.8 mm) of vertical space below the end of the drain tube (see *Figure 34*).

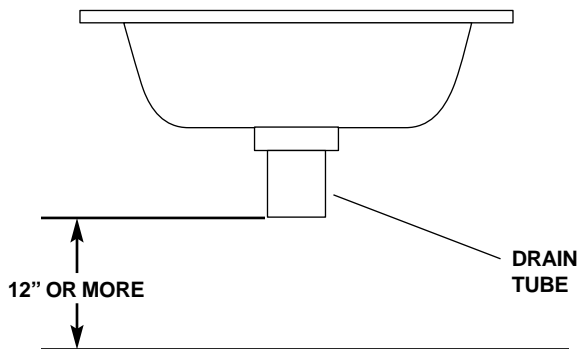


FIGURE 34

NOTE

If a drain loop-vent is being installed in the central console, the loop-vent must be positioned between the sink and the closest end of the lower module.

2. Install the vacuum wash station assembly on the adapter, then tighten the thumbscrews in the groove (see *Figure 35*).

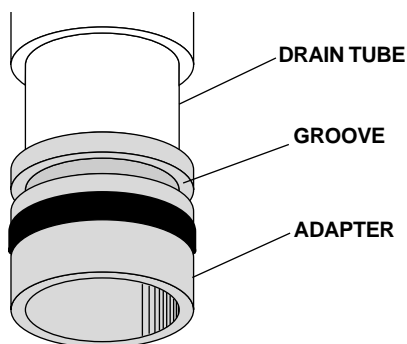


FIGURE 35

3. Install the convolute drain tubing from the vacuum valve to the central vacuum system. Trim the tubing as short as possible without stretching it. Connect the 1/8-inch yellow tubing coming from the vacuum signal valve to the matching 1/8" yellow tubing coming from the utilities.
4. Screw the solids separator jar onto the bottom of the vacuum drain assembly. **Be sure the gasket is properly seated** (see *Figure 36*).

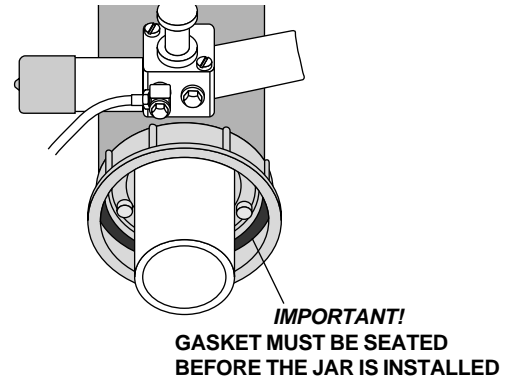


FIGURE 36

INSTALL THE SOAP DISPENSER

1. Screw the bottle onto the pump assembly and press the head assembly onto the pump assembly (see *Figure 37*).

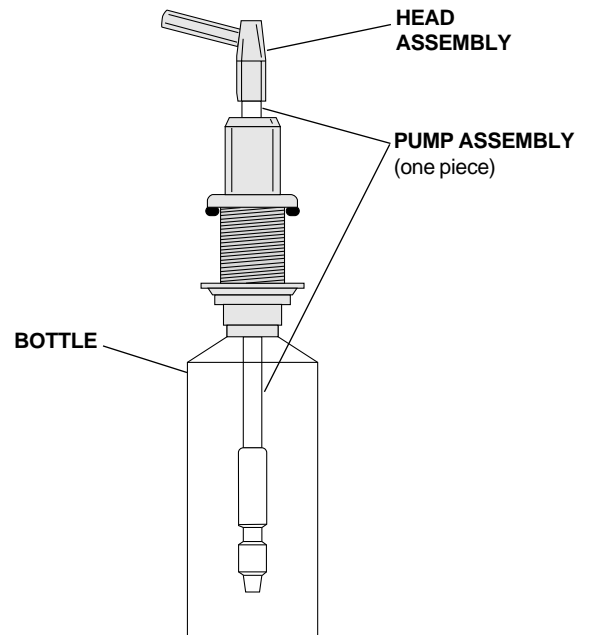


FIGURE 37

TESTING THE VACUUM WASH STATION

1. Fully open the hot and cold water manual shutoff valves. Check all plumbing connections for leaks.
2. Turn on the air and vacuum supplies. Check all plumbing connections for leaks.
3. Run water in the wash station. Check for leaks around the solids collector jar and all other plumbing connections.

VACUUM DRAIN ADJUSTMENT

If the vacuum actuator malfunctions, the wash station will drain continuously, or will back up into the sink.

There are two adjustment that control the operation of the vacuum drain shutoff valve:

The vacuum signal valve adjustment.

The vacuum control needle valve adjustment.

Refer to Figure 38 when making adjustments to the vacuum drain.

3. Close the vacuum control needle valve by turning it fully clockwise. Then open it two full turns.

5. **If the drain is operating continuously:**

Use a $\frac{3}{32}$ " hex key to slowly turn the vacuum signal valve adjusting screw counterclockwise *until the drain just closes and the vacuum sound stops*. Then turn the screw counterclockwise one full turn.

If water backs up into the bowl:

Use a $\frac{3}{32}$ " hex key to slowly turn the vacuum signal valve adjusting screw clockwise *until you just hear the vacuum sound as the drain opens*. Then turn the screw clockwise one full turn.

6. Activate the bowl rinse a **minimum** of two times. The wash station should operate silently, without water backing up in the sink.

7. Adjust the vacuum control needle valve so the water level is about 1" (25.4 mm) above the bottom of the sight tube when the drain opens.

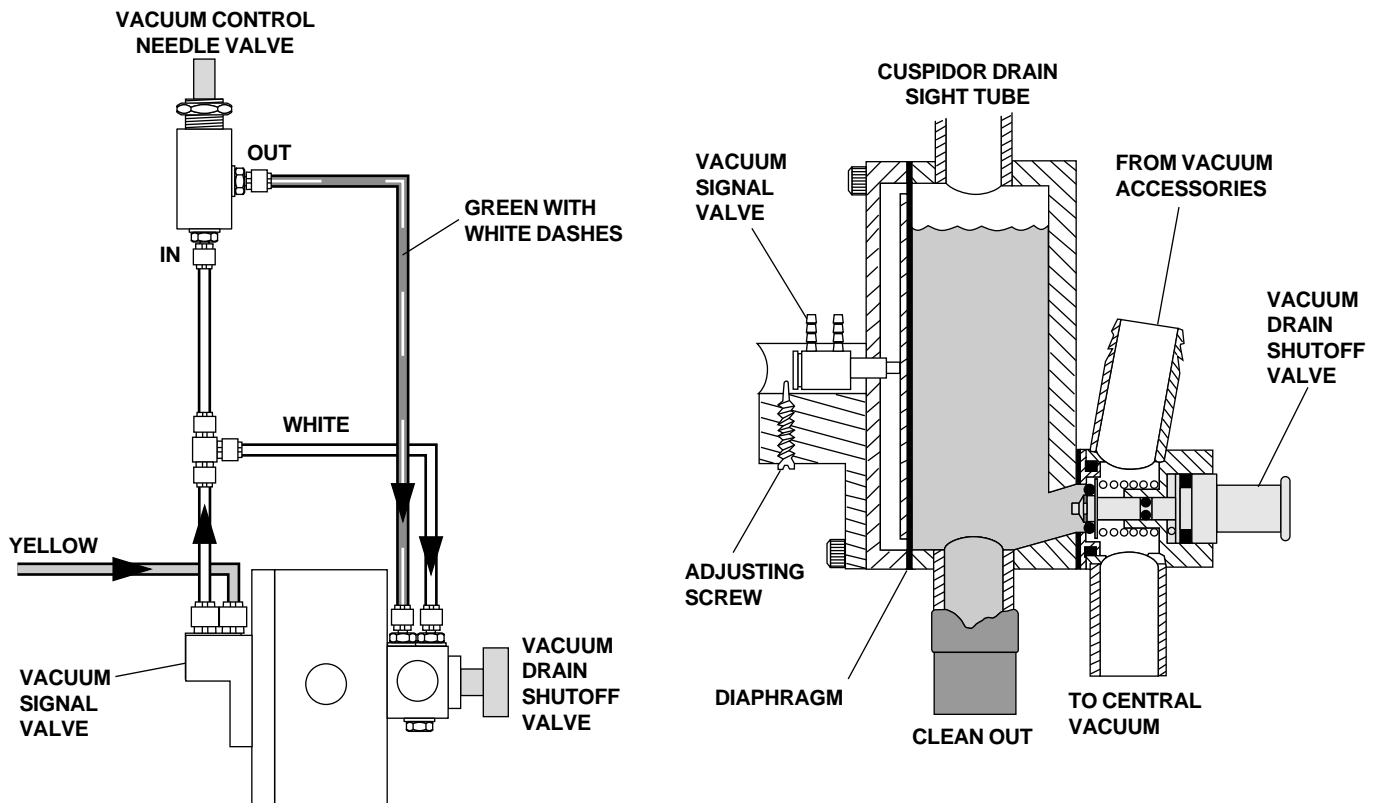


FIGURE 38

REINSTALL THE LOWER ASSEMBLY DOORS AND FALSE BOTTOM

1. Reinstall the lower assembly doors (see Figure 39) and drawers.

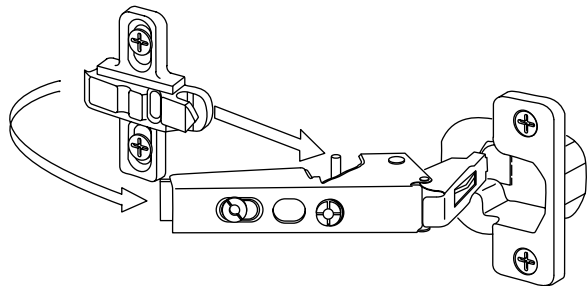


FIGURE 39

2. Reinstall the false bottoms in the lower assembly.

ADJUSTMENTS

CABINET DOOR ADJUSTMENT

1. Inspect the cabinet doors for proper alignment (see Figure 40). Adjust the doors as required. When properly adjusted, the doors should open and close without binding or rubbing. The doors should also be evenly spaced in the opening, with no excessive gaps.



CORRECT ALIGNMENT



INCORRECT ALIGNMENT

FIGURE 40

2. Refer to Figure 41 to locate the adjustment screws.

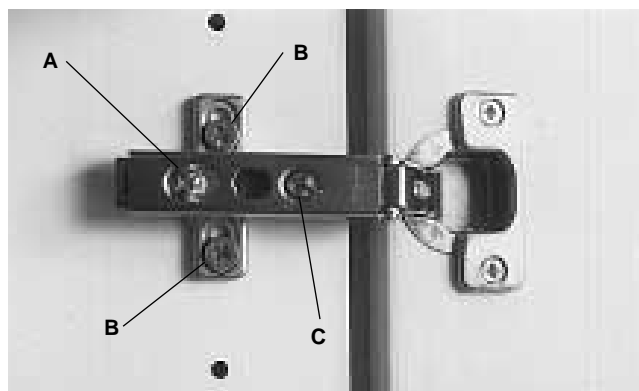


FIGURE 41

Depth Adjustment:

Loosen screw “A”, on both the upper and lower door hinges, one full turn. Move the door, in or out, to the desired depth. Tighten the screws.

Height Adjustment:

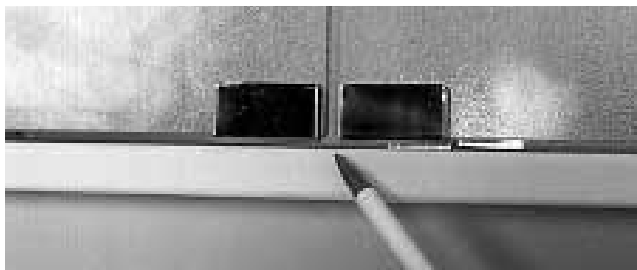
Loosen screws “B”, on both the upper and lower door hinges, 1/4 turn. Move the door up or down to the desired position. Tighten the screws.

Side-to Side Adjustment:

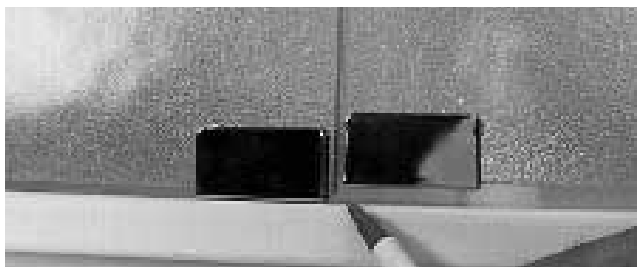
Turn screw “C”, on both the upper and lower door hinges, until the door is in the desired position.

GLASS DOOR ADJUSTMENT

1. Inspect the glass doors for proper alignment (see Figure 42).



CORRECT ALIGNMENT



INCORRECT ALIGNMENT

FIGURE 42

2. Loosen the screws at the hinge (see Figure 43). Straighten the door, then tighten the screws.

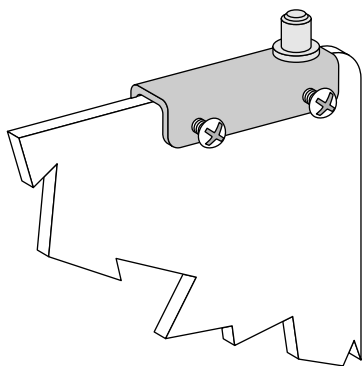


FIGURE 43

DRAWER PUSH-LATCH ADJUSTMENT

1. Remove the drawer, then remove the retaining pin from the barrel of the push-latch (see Figure 44).

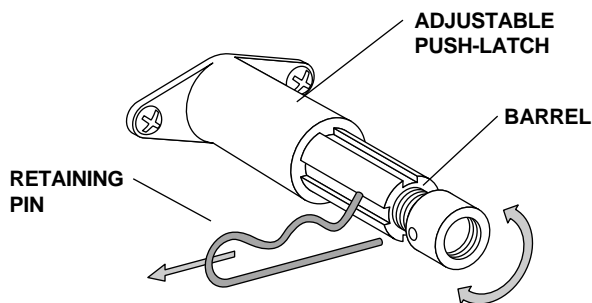


FIGURE 44

2. Turn the adjusting barrel 1/2 turn at a time, in or out, as necessary. Test the latch and adjust the barrel again if necessary.
3. Install the push-latch barrel retaining pin and reinstall the drawer.

INSTALLING INSTRUMENTATION

ASSISTANT'S INSTRUMENTATION

1. Complete the Assistant's Instrumentation Installations Instructions, A-dec Publication No. 85.0528.00 (included with the Cascade 7015 Assistant's Instrumentation).

DUO INSTRUMENTATION

1. Complete the Duo Instrumentation Installation Instructions, A-dec Publication No. 85.0548.00 (included with the Cascade 3180 Doctor's and Assistant's Instrumentation).

BEFORE LEAVING THE FACILITY

1. Instruct the dental team on the proper operation and maintenance of the treatment console and distribute the Owner's Guides.



Recycle
Conserve

Made with 10% post-consumer fiber

Printed in USA
Copyright © 1997
All Rights Reserved