

## Installation Instructions

### Performer<sup>®</sup> Floor Box

(For Performer I and Performer III Chairs)

#### You Will Need:

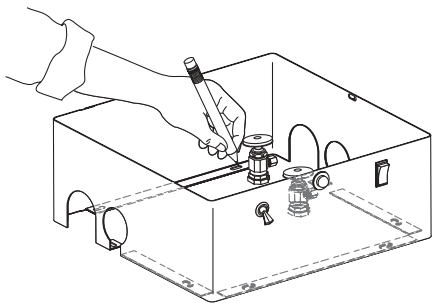
- Pencil or marker
- Hand-drill with 1/4" (6mm) drill bit
- Hammer
- Standard and phillips screwdrivers

#### Before You Begin

1. Check with local and state authorities about installation requirements for this product.
2. Install the manual air and water shutoff valves.
3. The manual shutoff valves and utilities must be installed according to prevailing building codes.

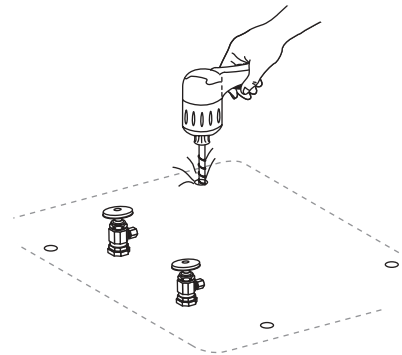
#### Install the Floor Box

1. Locate the floor box installation position and mark the mounting hole locations (see Fig. 1).



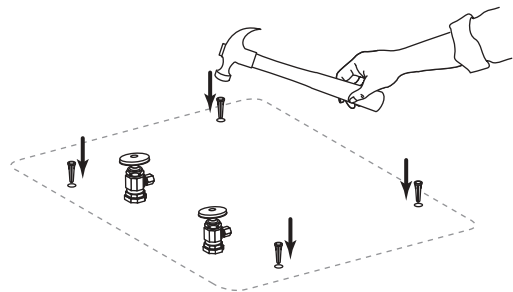
**Fig. 1 Marking floor box**

2. Drill the floor box mounting holes (see Fig. 2).



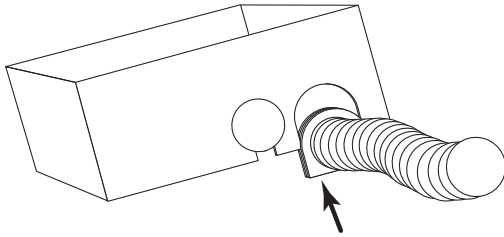
**Fig. 2 Drilling floor box holes**

3. Install the screw inserts into the mounting holes (see Fig. 3).



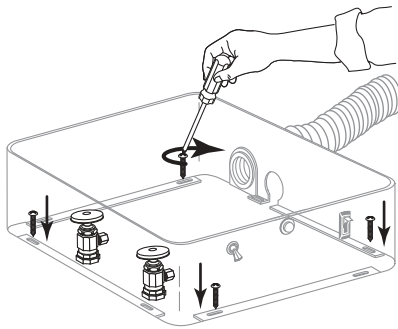
**Fig. 3 Inserting screw insets**

4. Insert the umbilical into the floor box (see Fig. 4).



**Fig. 4 Inserting umbilical**

5. Align the floor box with the mounting holes and secure using the four phillips head screws (see Fig. 5).

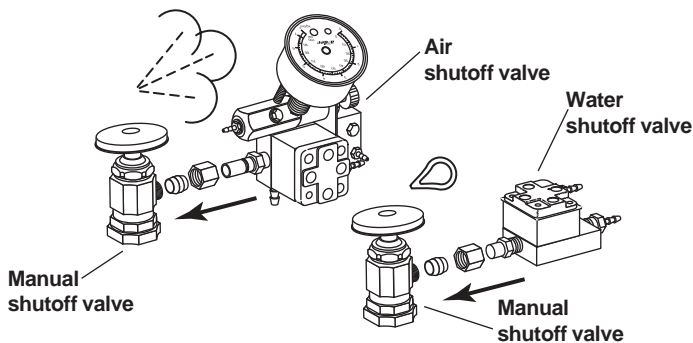


**Fig. 5 Securing floor box**

## Floor Box Connections

1. Connect the air shutoff valve to the manual air shutoff valve (see Fig. 6).

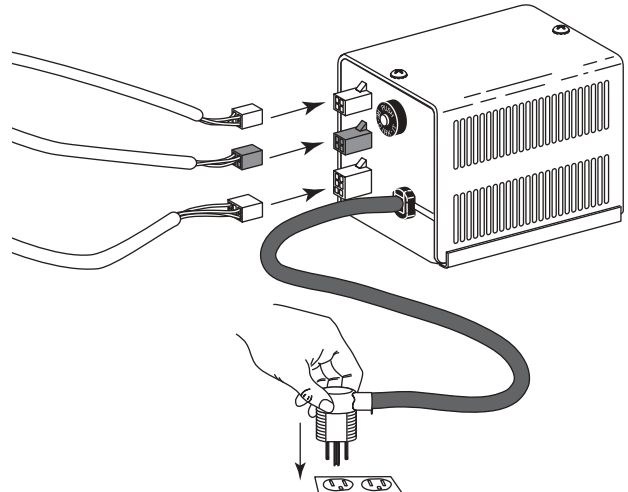
**Cuspidor only;** Connect the water shutoff valve to the manual water shutoff valve.



**Fig. 6 Shutoff valves**

2. Set the power supply inside the floor box. Matching pins and color, connect the wire harnesses to the power supply (see Fig. 7).

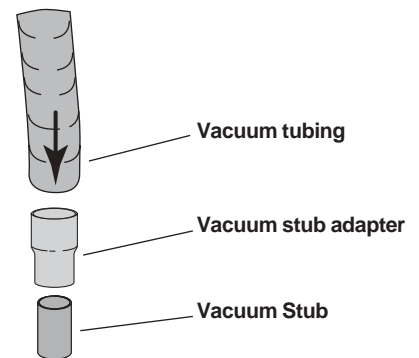
- Auxiliary cable (white, 4-pin connector)
- Dental light harness (red, 4-pin connector)
- Delivery system harness (white, 6-pin connector)
- Plug in the power supply



**Fig. 7 Power supply**

3. Push the vacuum tubing onto the vacuum stub (see Fig. 8)

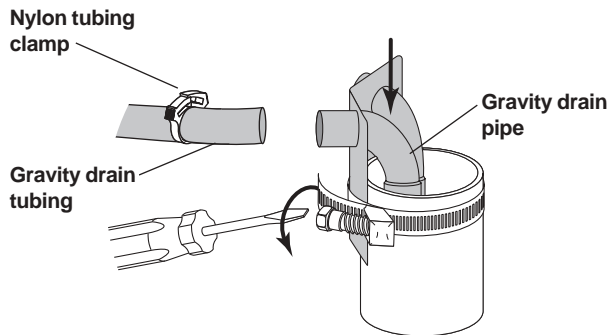
- Cuspidor vacuum tubing = 3/4" ID (larger diameter)
- Assistant's vacuum tubing = 5/8" ID (smaller diameter)



**Fig. 8 Vacuum tubing**

**Note:** If the vacuum stub is 5/8" OD, use the vacuum stub adapter from the kit to connect the cuspidor (3/4" ID) vacuum tubing to the vacuum stub.

4. Cuspidor only, install the gravity drain pipe. Push the gravity drain tubing (5/8" ID) all the way onto the gravity drain pipe, and secure with nylon tubing clamp (see Fig. 9).



**Fig. 9 Cuspidor vacuum drain**

## Accessory Installations

Do not turn on the manual shutoff valves until all accessories have been installed.

Complete all remaining Performer accessories installations.

## Testing the Equipment

1. Test the floor box by following the test procedures included with each accessory.
2. Check all plumbing connections for leakage.
3. Place the cover on the floor box.

## Before Leaving the Facility

Distribute owner's guide(s) and instruct the dental team on the operation and maintenance of the equipment.

## Identification of Symbols



Recognized by Underwriters Laboratories Inc.® with respect to electric shock, fire and mechanical hazards only in accordance with UL 2601-1.  
Recognized with respect to electric shock, fire, mechanical and other specified hazards only in accordance with CAN/CSA C22.2, No. 601.1.



UL listed to US (UL 544) and Canadian (CAN/CSA C22.2, No. 125) safety standards.



Classified by Underwriters Laboratories Inc. with respect to electric shock, fire and mechanical hazards only in accordance with UL 2601-1.  
Classified with respect to electric shock, fire, mechanical and other specified hazards only in accordance with CAN/CSA C22.2, No. 601.1.



Conforms to European Directives (*refer to Declaration Statement*).



Protective earth (ground).



Functional earth (ground).



Attention, consult accompanying documents.



TYPE B APPLIED PART.



CLASS II EQUIPMENT.

## Classification of Equipment (EN 60601-1)

### Types of shock protection:

#### CLASS I EQUIPMENT

(Dental Chairs, Dental Lights, & Power Supplies)

#### CLASS II EQUIPMENT

(Chair, Wall, & Cart Mounted Delivery Systems)

### Degree of shock protection:

TYPE B APPLIED PART (Delivery Systems Only)

### Degree of protection against water ingress:

ORDINARY EQUIPMENT (All products)

### Mode of operation:

CONTINUOUS OPERATION (All models except Dental Chairs)

### Mode of operation:

CONTINUOUS OPERATION WITH INTERMITTENT LOADING (Dental Chairs)

## Environmental

Storage - Temperature: -40°C to 70°C (-40°F to 158°F)  
Relative Humidity: 95% maximum

Operating - Temperature: 10°C to 40°C (50°F to 104°F)  
Relative Humidity: 95% maximum

## Electromagnetic Compatibility

This equipment has been tested and found to comply with the limits for medical devices in IEC 601-1-2:1994. These limits are designed to provide reasonable protection against harmful interference in a typical medical installation. Contact A-dec Customer Service if you have any questions.

## Flammable Gasses

Not suitable for use in the presence of a flammable anesthetic mixture with air, oxygen, or nitrous oxide.



Recycle  
Conserve  
Made with recycled paper.