

A-dec® ICV® on A-dec Inspire® 397 or Preference® Cabinets

Product Models and Versions Covered in This Document*

Models	Versions	Description
Preference	A	Dental Furniture
341sp	n/a	Delivery System
397	A	Dental Furniture

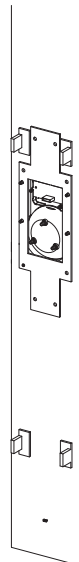
*Some product models, versions, and options in this document may not be available in certain regions.



Before You Begin

- Locate the pre-drilled cutout and utility placement for the installation. Ensure an electric receptacle is located within the mounting cabinet in a readily accessible location. The layout for the ICV is extremely flexible and can accommodate most operatory configurations.
- Create a cutout in the cabinet for the ICV, if necessary. Use the drilling template on page 6. If installing the ICV in existing A-dec Preference Collection™ cabinetry, you can order pre-drilled panels.

- Attach the reinforcing bracket to the cutout (X-ray panel installations only). Orient the reinforcing bracket to the cutout and attach it. Use the screws and washers supplied in the kit.



Recommended Tools

- 3/32" hex key
- Diagonal cutters
- Phillips head #1 and #2 screwdrivers

Important Information

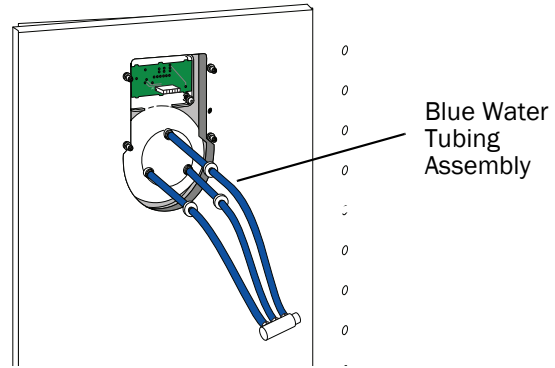


CAUTION Failure to turn off or disconnect the power before you begin this procedure can lead to electrical shock.

1. Disconnect the power for the ICV.

Install the ICV Control Panel

1. Attach the ICV control panel to the cutout in the module front. Use the screws and washers provided in the kit.
2. Attach the blue water tubing assembly to the front panel.



NOTE For a dual panel configuration, complete the same steps for installing each control panel in its respective location. For additional wiring and plumbing layout information, see "Test and Adjust the Cycle Time" on page 5.

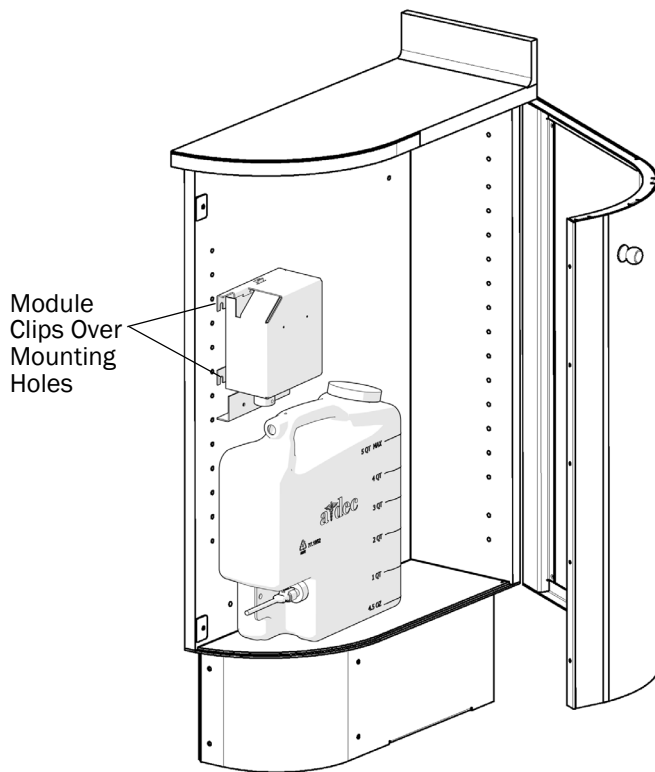


NOTE On the 397 specialty cabinet, ensure that the manifold of the blue water tubing assembly can be secured to the back wall to avoid interfering with a box of gloves loaded in the glove dispenser. If the tubing length of the assembly is not long enough to allow the manifold to be secured, increase the tubing length between the control panel and check valves by replacing with longer sections cut from the supplied coil in the kit.

Install the Control Module

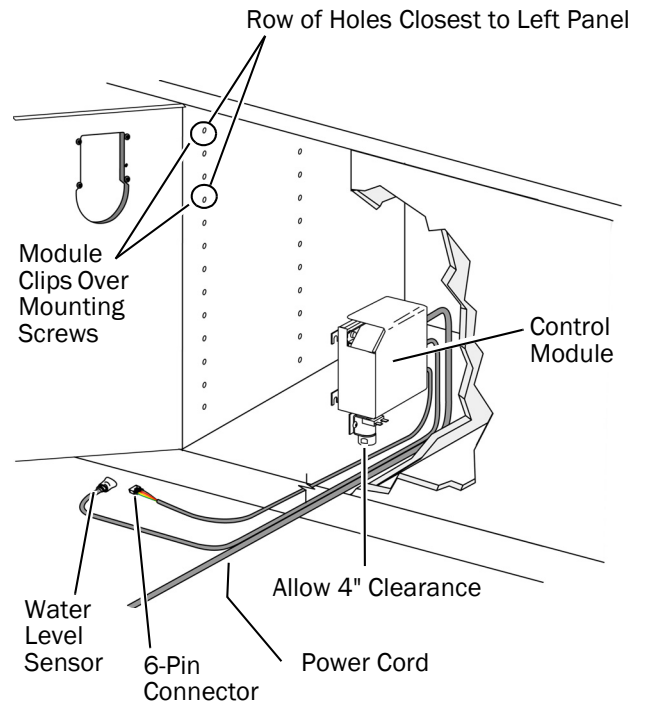
1. Loosely install the mounting screws.
 - Preference cabinet: Use two of the pre-drilled row of holes on the left interior panel within the cabinet otherwise intended for mounting adjustable shelves. Allow for 4" of clearance.
 - 397 Specialty cabinet and round end storage modules on 5531/5631 Preference accessory consoles: Use the pre-drilled holes specifically for the ICV control module.

Round-end storage module for 5531/5631 Preference Collection Accessory Console Cabinets

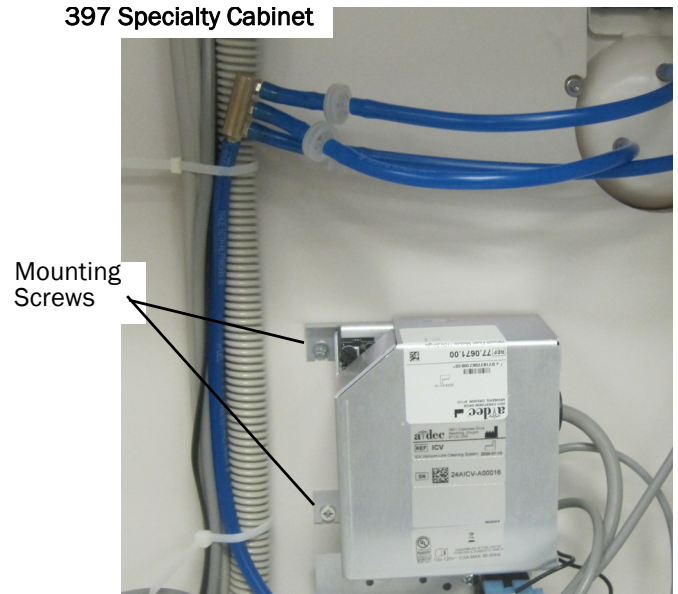


2. Mount the control module on the side of the cabinet. The module clips over the mounting screws installed in step 1 of this section. Tighten the screws after mounting.

Preference Cabinets



397 Specialty Cabinet



Route the Tubing and Wiring

1. Route the ICV's power plug to the most convenient available electrical outlet, which is easily accessible without the use of tools (usually found under the cabinet subbase). Ensure normal operation of cabinet drawers and doors.

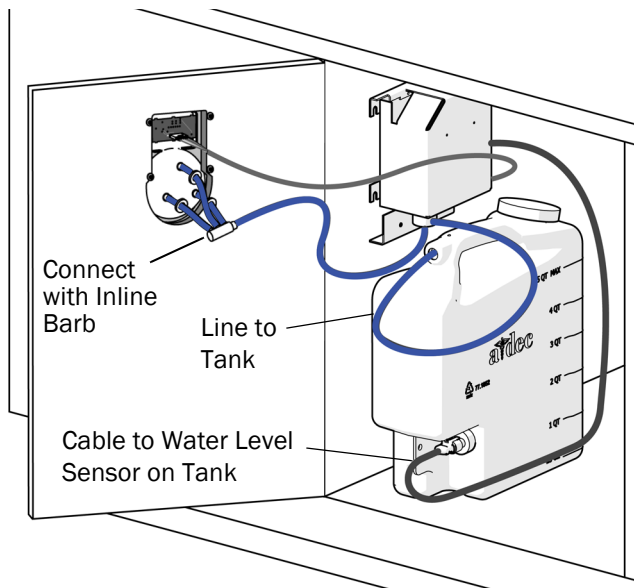


NOTE If a receptacle is not already present within the cabinet, a licensed electrician must install a junction box with receptacle in this location. Receptacles are typically located in a quad box in the sub-base under the false bottoms, and not within the storage area.

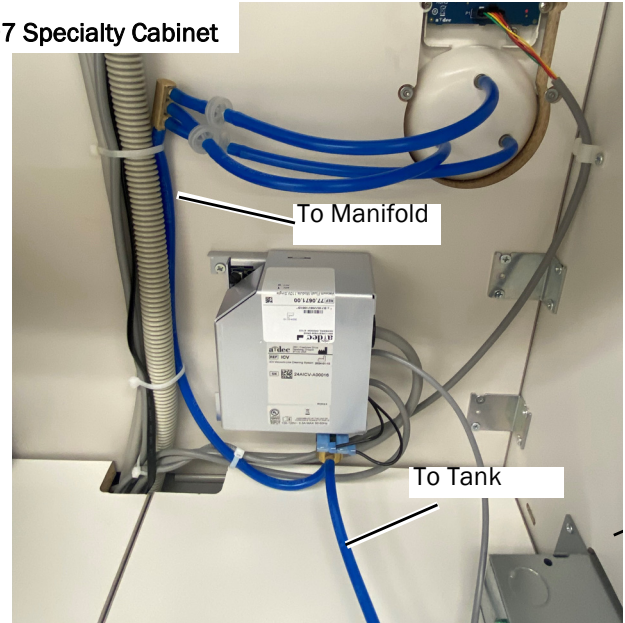
Alternatively, the electrician can remove the plug end, hard wire the cord to the nearest junction box, and identify the branch circuit breaker in the load center for disconnect purposes. The load center must be located in close proximity to the equipment.

2. Route the blue water tubing in the kit from the bottom barb of the control module to the control panel tubing and connect it.

Preference Cabinets



397 Specialty Cabinet



3. Route the 6-pin connector from the control module to the ICV front panel and plug it in.
4. Adjust the tubing lengths.

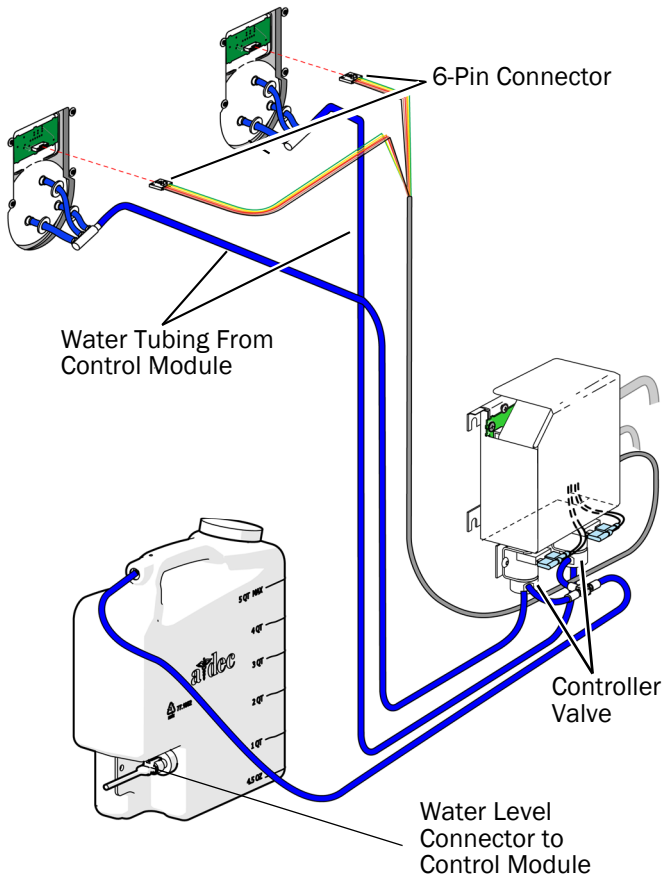


TIP Check to ensure that the tubing and wiring are not crimped and do not obstruct normal operation of cabinet drawers and doors.

5. Connect the power. See the note regarding the junction box on page 4.
6. Replace the utility access panel in the tank storage cupboard. Place the tank in the storage module.
7. Plug in the tank water level sensor connector and install the blue water tubing on the water connector.
8. Use the clip, strain relief(s) and cable ties to secure the tubing and wiring throughout the installation.
9. 397 Specialty Cabinet only: Secure the manifold of the blue water tubing assembly to the back wall using the cable tie anchors located behind the delivery system umbilical.



TIP See the image below for dual panel tubing and wiring routing.

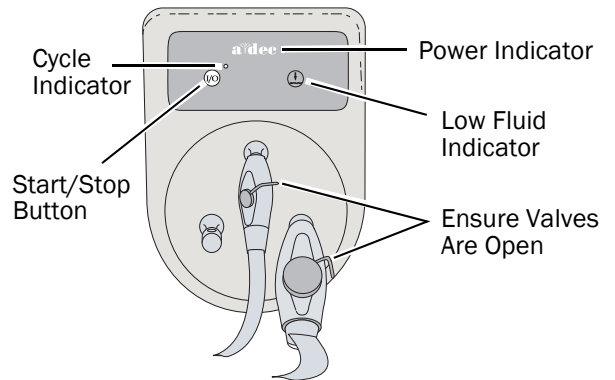


- (3) Place one or more vacuum tubing on the ICV connectors and open the valves.



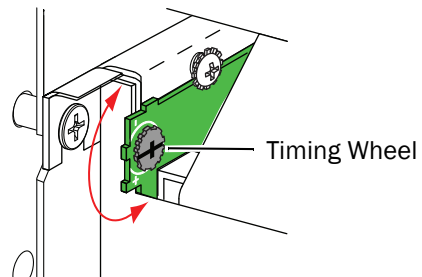
CAUTION Once activated, the normal operation of the ICV requires a minimum of one tubing attached with the valve open.

- (4) Press the start/stop button and time the duration of the cycle.



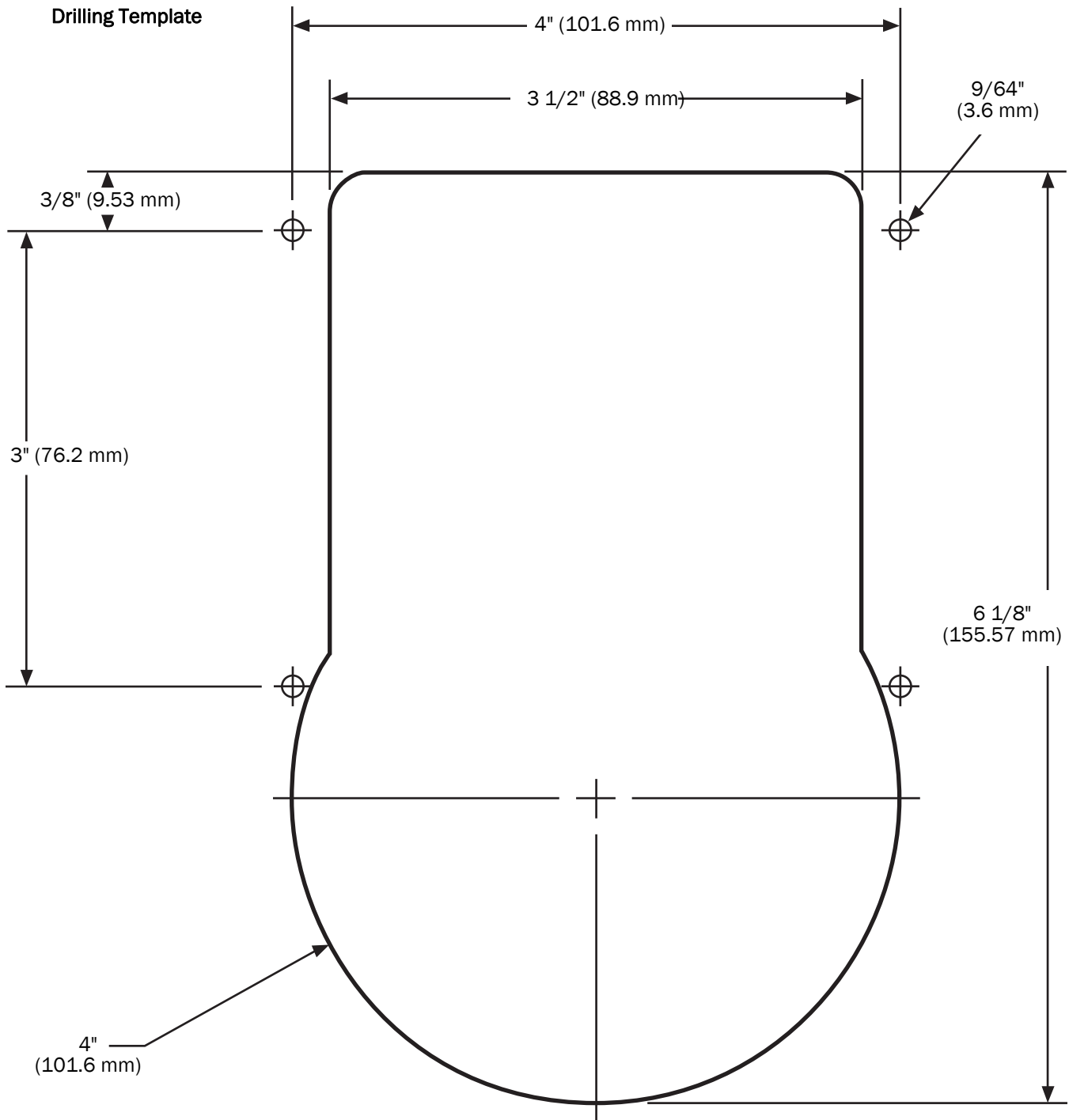
TIP One cycle should consume one dose of fluid.

- (5) If necessary, recalibrate the cycle time by adjusting the timing wheel on the control module. Adjust the time so that one dose of fluid is removed from the tank per cycle. Time another cycle, if necessary.



Test and Adjust the Cycle Time

1. Check the front panel. The A-dec blue logo should be illuminated. The amber low fluid indicator light should be on if the tank is empty, low, or disconnected.
2. Test and adjust the cycle time:
 - (1) Disconnect the tubing and sensor from the tank. Remove the tank and fill it with three liters of water (three tick marks on the tank).
 - (2) Reinstall the tank and plug in the tubing and sensor. The low fluid indicator light should turn off.



(6)

Regulatory Information and Warranty

For required regulatory information and the A-dec warranty, see the *Regulatory Information, Specifications, and Warranty* document (p/n 86.0221.00) available in the Resource Center at www.a-dec.com.



For quick access to this document online, scan, tap, or click this QR code, which points to a-dec.com/regulatory-guide.

All trademarks cited herein are registered trademarks or trademarks of A-dec, Inc. in the United States and may also be trademarks or registered trademarks in other countries.



A-dec Headquarters

2601 Crestview Drive
Newberg, OR 97132 USA
Tel: 1.800.547.1883 Within USA/CAN
Tel: +1.503.538.7478 Outside USA/CAN
www.a-dec.com

A-dec, Inc. makes no warranty of any kind with regard to the content in this document including, but not limited to, the implied warranties of merchantability and fitness for a particular purpose.



86.0025.00 Rev D
Date of Issue 2024-02-22
Copyright 2024 A-dec, Inc.
All rights reserved.
IGporeven23