

## 571 Dental Light on Cascade®, Decade®, Priority, and Performer® Dental Chairs

### Recommended Tool

- Phillips head screwdriver

### Install the Dental Light

1. Turn off the power to the system.



**DANGER** Failure to turn off the power before you begin this procedure can lead to electrical shock.



**WARNING** Failure to turn off the power before you begin this procedure can lead to product damage and result in serious injury or death.



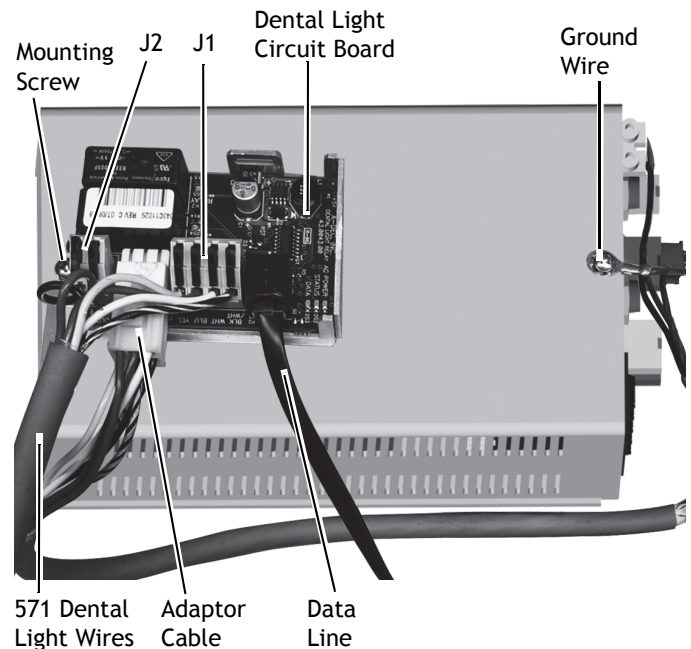
**CAUTION** Circuit boards are sensitive to static electricity. Electrostatic Discharge (ESD) precautions are required when touching a circuit board or making connections to or from the circuit board. Circuit boards should be installed only by an electrician or qualified service person.

2. Route the dental light cable and support center data line to the remote floor box.
3. In the remote floor box, use a Phillips head screwdriver and the screw in the top of the power supply to mount the dental light circuit board to the top of the power supply.
4. Attach the support center data line to the dental light circuit board.



**NOTE** Additional data lines and a Y-adaptor are provided if other DCS circuit boards are present in the floor box.

Connecting the dental light circuit board to a DCS enabled chair circuit board will enable the auto on/off light feature.



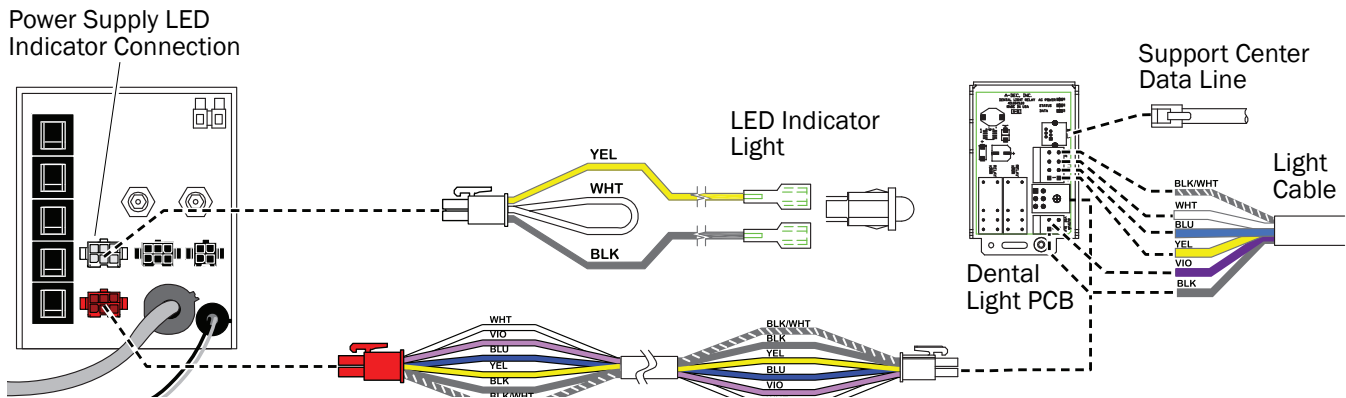


**NOTE** An 84" data line is provided in the system floor box kit and dental light kit to enable DCS data connections to another DCS enabled circuit board. To connect this data line to the data board in the support center, run it under the support center mount and through the chair to the DCS enabled chair board. The data line should be located away from moving parts while providing sufficient length for a service loop.

5. On terminal strips on the dental light circuit board, connect the black and violet wires to terminal strip J2 and the black-white, white, blue, and yellow wires to terminal strip J1.
6. Plug the white end of the adaptor cable into the dental light circuit board and the red end into the power supply.



**NOTE** The power supply LED indicator must be connected to the power supply for the dental light to function properly.



## Test the Dental Light

1. Turn on the power to the system.
2. Verify that DS1 and DS2 on the circuit board are on.
3. Verify that the dental light turns on and off by using the light button on the support center or delivery system touchpad.
4. Verify that the dental light changes between intensities.
5. Verify that the on/off toggle switch on the light turns the dental light on and off.
6. Verify that the intensity switch on the light changes the dental light intensities.



**NOTE** Data LED DS3 is on if the dental light circuit board is connected to another DCS device.

Table 1. LED Diagnostics

LED	Dental Light Relay Board
AC Power LED	<b>Off</b> = No 24 VAC power. There is a tripped circuit breaker, the power supply is turned off, or there is no line voltage. <b>Constant Green</b> = 24 VAC at the terminal strip.
Status LED	<b>Off</b> = The system is not functioning. There is no power or the circuit board is dead. <b>Constant Green</b> = The board is in normal condition.
Data LED (DS3)	<b>Off</b> = No DATA bus communication. It is not connected to the DATA bus, or the DATA bus is dead. <b>Constant Green</b> = The system detects an active DATA bus. <b>Blinking Green</b> = There is a valid DATA bus message.
A-dec Relay	<b>Off</b> = The A-dec relay is off. <b>Yellow</b> = The A-dec relay is on.

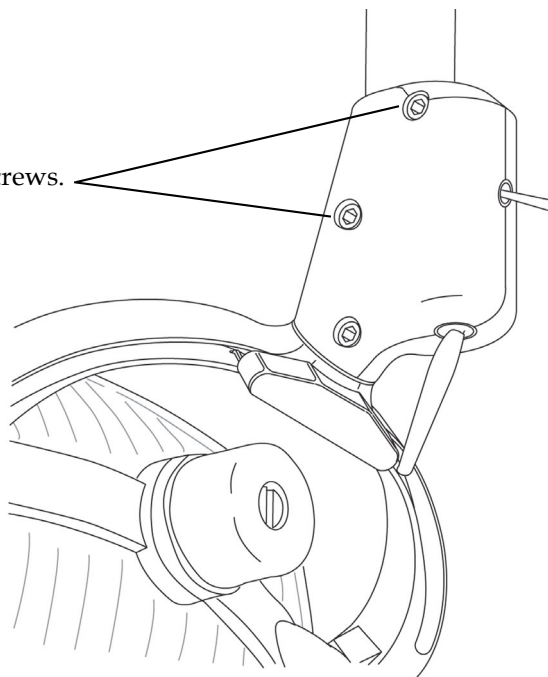
## Adjust the A-dec 571 or 572 Dental Light

### Adjust the Horizontal Rotation

#### Recommended Tool

- 5/32" hex key

- 1 To adjust the tension, turn the screws. Clockwise increases the tension.

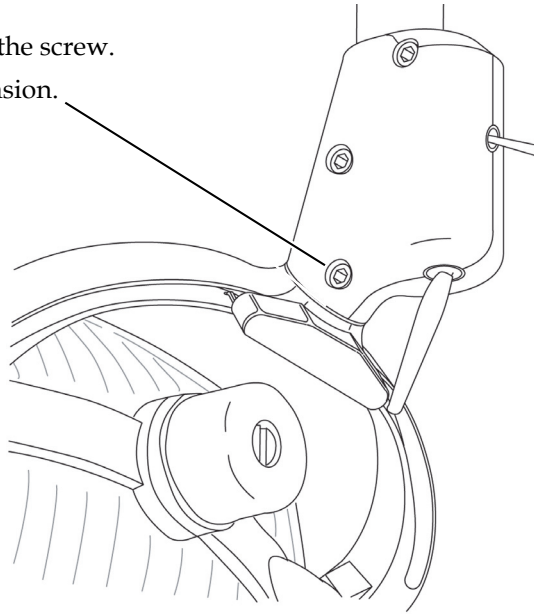


## Adjust the Diagonal Rotation

### Recommended Tool

- 5/32" hex key

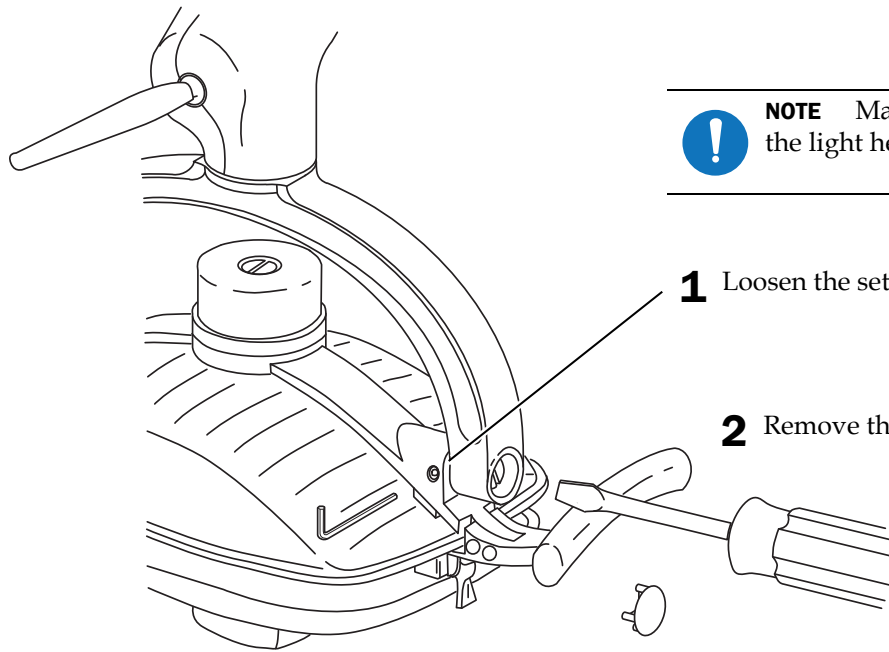
- 1** To adjust the tension, turn the screw.  
Clockwise increases the tension.



## Adjust the Vertical Rotation

### Recommended Tool

- 5/64" hex key
- Standard screwdriver



**NOTE** Make the adjustment to only one side of the light head.

- 1** Loosen the setscrew.

- 2** Remove the light yoke plug.

- 3** To adjust the tension, turn the screw.  
Clockwise increases the tension.



## Regulatory Information

Regulatory information mandated by agency requirements is provided in the *Regulatory Information, Specifications, and Warranty* document (p/n 86.0221.00), which is available in the Document Library at [www.a-dec.com](http://www.a-dec.com).

### Product Models and Versions Covered in this Document

Models	Versions	Description
571	A	Dental light
Cascade	A	Dental chair
Decade	A	Dental chair
Decade Plus	A	Dental chair
Priority	A	Dental chair

#### A-dec Headquarters

2601 Crestview Drive  
Newberg, OR 97132 USA  
Tel: 1.800.547.1883 Within USA/CAN  
Tel: +1.503.538.7478 Outside USA/CAN  
Fax: 1.503.538.0276  
[www.a-dec.com](http://www.a-dec.com)

*A-dec Inc. makes no warranty of any kind with regard to the content in this document including, but not limited to, the implied warranties of merchantability and fitness for a particular purpose.*

