



Preference Collection® 5580 Treatment Console

INSTALLATION GUIDE



WARNING Failure to install the 5580 as described in this installation guide may cause the unit to collapse, resulting in serious injury to personnel.

Recommended Tools

- Leveling device
- Drill
- Adjustable wrench
- 1/2" and 9/32" drill bits
- Phillips head screwdriver
- #2 Pozi screwdriver for adjusting doors
- Hex key set
- 3/8" wrench
- 7/16" combination wrench



5580 Treatment Console

Before You Begin

- Check with appropriate building and code authorities about local installation requirements.
- Check that manual air and water shutoff valves are installed where needed.

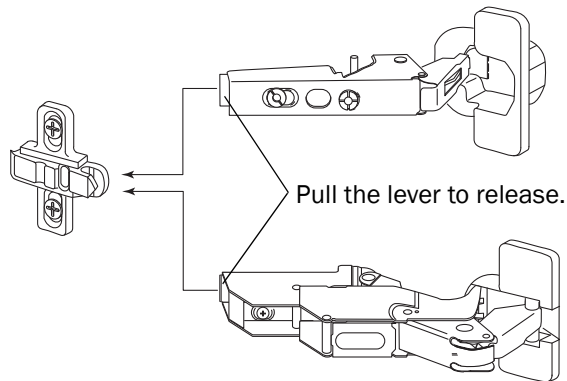


CAUTION Purge any debris from the air and water lines. Failure to do this causes leaks.

Before You Begin (cont.)

- The utilities must be installed according to prevailing building codes and the *Preference Collection 5580 Treatment Console Template* (p/n 85.0046.00). For pre-installation instructions, refer to the *A-dec Dental Furniture Pre-Installation Guide* (p/n 86.0142.00) found in the Document Library on www.a-dec.com.
- Remove the drawers, doors, and false bottoms from the console, making sure to note the locations for reassembly. The doors are fitted with quick-release hinges. See Figure 1.

Figure 1. Quick-Release Hinges



Installation Steps

Install the Base and Level the Treatment Console

1. Position the base in the mounting location.
2. Remove the false bottoms from each module to access the subbase.
3. Using a 7/16" combination wrench, adjust each leveling foot located in the subbase. See Figure 2.
4. Check the level of the treatment console. Repeat step 2 as necessary.
5. Make the electrical connections. Refer to the *A-dec Dental Furniture Pre-Installation Guide* (p/n 86.0142.00).

Figure 2. Level the Treatment Console

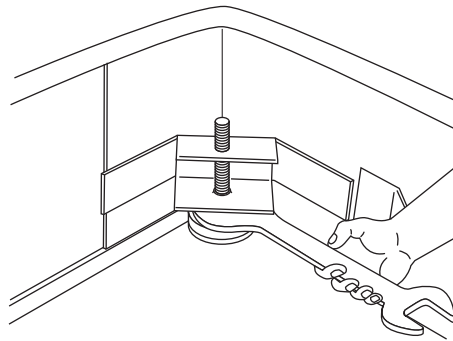
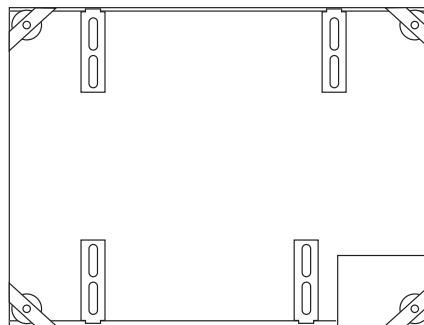


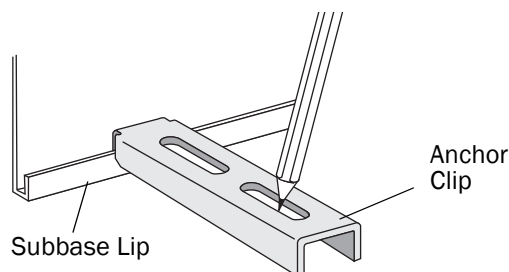
Figure 3. Anchor Clip Positions



Prepare to Anchor the Subbase

1. Place the four anchor clips onto the subbase lip as close as possible to the corners of the module. See Figure 3.
2. Mark the floor where the anchor clip will be bolted. See Figure 4. Mark the bolt location as close as possible to the subbase. Remove the anchor clip.

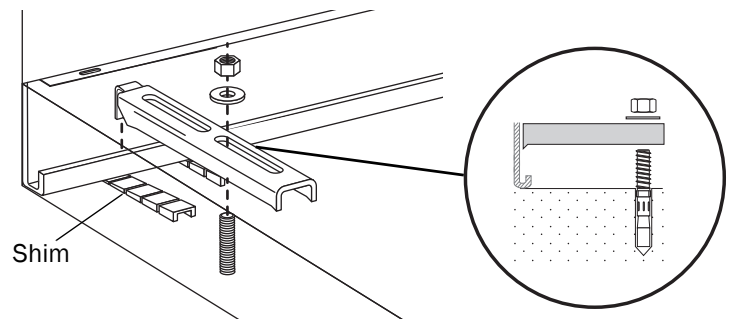
Figure 4. Mark the Drilling Location



Anchor the Subbase for Concrete Floors

1. At the locations marked, drill 1/2" diameter holes a minimum of 3-1/2" (89 mm) deep. Drive the bolts into the holes. See Figure 5.
1. Reinstall the anchor clips over the subbase lip. See Figure 5.
2. Loosely install a hex nut and washer over an anchor clip onto each bolt.
3. To bolt down the console, position shims under the subbase beneath the area of the anchor clip as necessary. See Figure 5. Tighten each bolt firmly. If the shims protrude beyond the subbase, trim the excess.

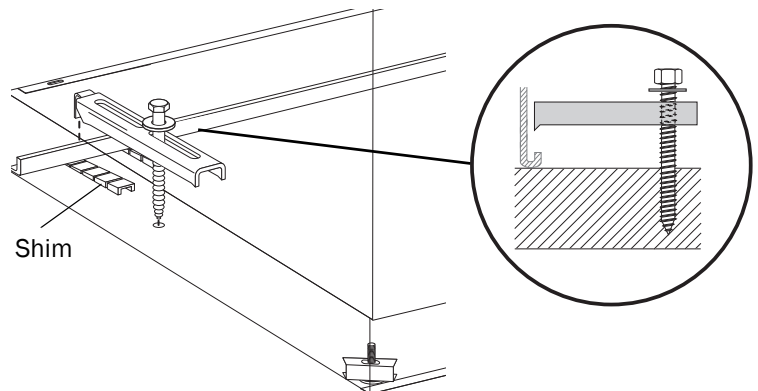
Figure 5. Install the Bolt, Nut, Washer, and Anchor Clip (Concrete)



Anchor the Subbase for Non-Concrete Floors

1. Drill 9/32" diameter holes a minimum of 1-1/2" (38 mm) deep. See Figure 6. If the flooring material is not at least 1-1/2" (38 mm) thick, consult your licensed contractor about adding reinforcement to the flooring.
2. Reinstall the anchor clips over the subbase lip. See Figure 6.
3. Loosely install a bolt with a washer through each anchor clip into each drilled hole.
4. To bolt down the console, position shims under the subbase beneath the area of the anchor clip as necessary. Tighten each bolt firmly. If the shims protrude beyond the subbase, trim the excess. See Figure 6.

Figure 6. Install the Bolt, Nut, Washer, and Anchor Clip (Non-Concrete)



Install the Upper Storage Unit

Follow the instructions for the type of upper storage unit that you have.

Install a Standard Upper Storage Unit

1. Remove the rear master panel from the midsection. See Figure 7.
2. Carefully lift the standard upper storage unit onto the midsection.
3. Use the six screws provided in kit p/n 56.0577.00 to secure the standard upper storage unit. See Figure 7.
4. Reinstall the rear master panel onto the midsection.

Next Step See "Install the Soffit" on page 7.

Install an Extended Upper Storage Unit

1. Remove the rear master panel from the midsection. See Figure 8.



NOTE For non-pass-through uppers, use a screwdriver to remove the upper back by releasing the five cams. See Figure 9.

2. Use the six screws provided in kit p/n 56.0577.00 to install the extended upper storage unit. See Figure 8.

Figure 7. Install a Standard Upper Storage Unit

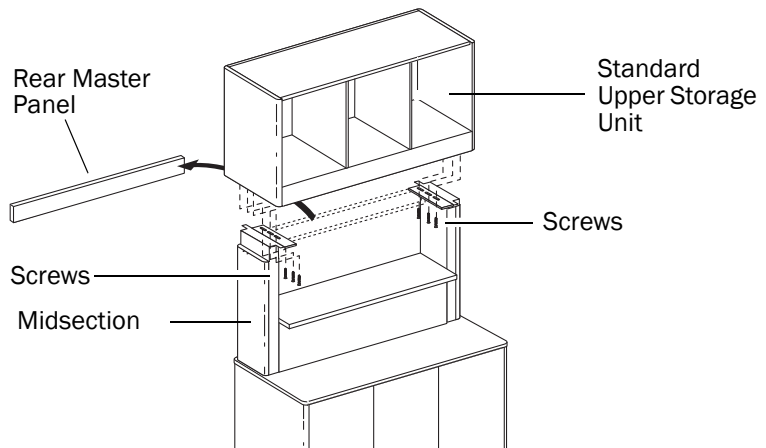


Figure 8. Install an Extended Upper Storage Unit

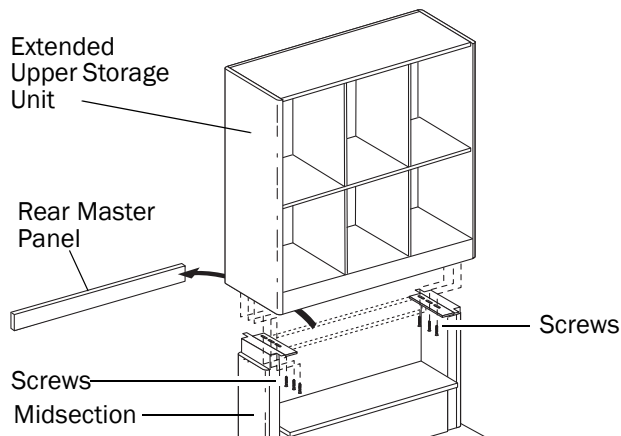
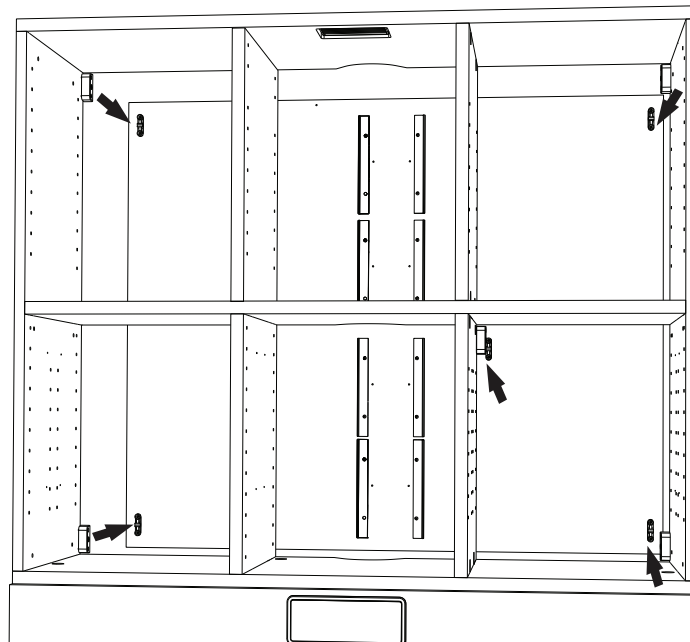


Figure 9. Remove the Back for a Non-Pass-Through Extended Upper



3. Use the twelve #10 x 1-1/4" wood screws provided in kit p/n 56.1258.00 to attach the end caps to the sides. See Figure 10.
4. Re-install the back panel.
5. Use the remaining four #6 x 1/2" wood screws provided in the kit p/n 56.1258.00 to attach the front master panel to the end caps and to the module bottom. See Figure 11.
6. Re-install the rear master panel onto the midsection. See Figure 8 on page 4.
7. Re-install the upper doors.

Next Step See "Install the Soffit" on page 7.

Install a Tall Flip-Up Upper Storage Unit

1. Remove the rear master panel from the midsection.
2. Carefully lift the first level upper storage unit onto the midsection.
3. Use the six screws provided in kit p/n 56.0577.00 to secure the first level upper storage unit to the treatment console. See Figure 7 on page 4.
4. Carefully lift the tall flip-up upper storage unit onto the first level upper storage unit. Orient the door to the front.
5. Use the four barrel bolt sets provided in kit p/n 56.1246.00 to secure the flip-up upper to the first level upper storage unit. See Figure 12.

Figure 10. Attach the End Caps and Panels

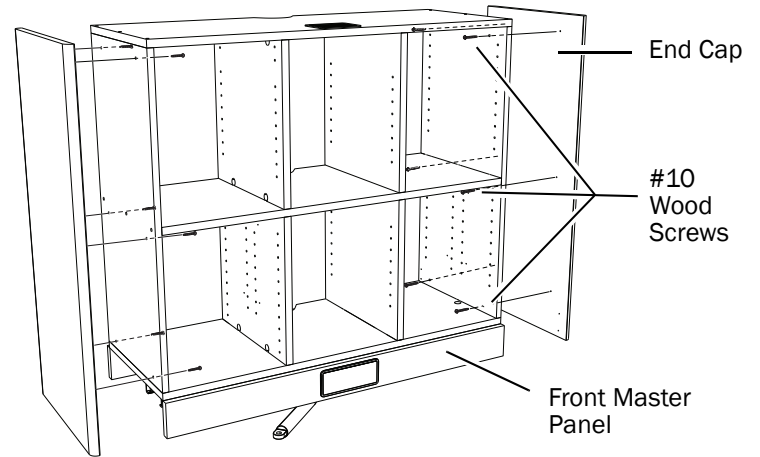


Figure 11. Install the Master Panel

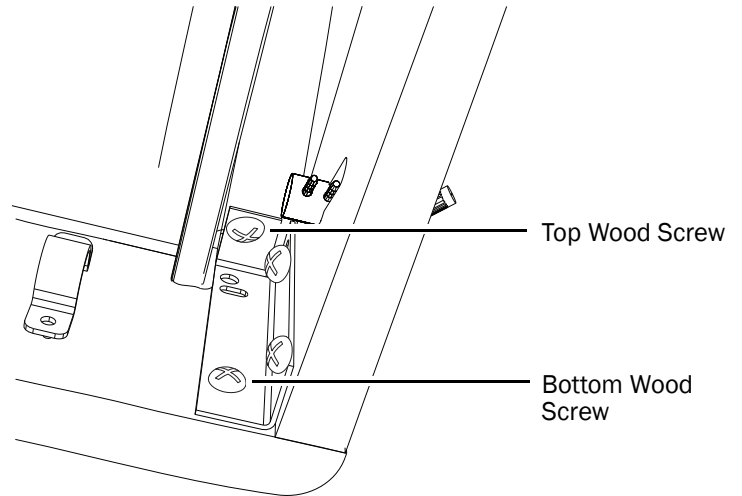
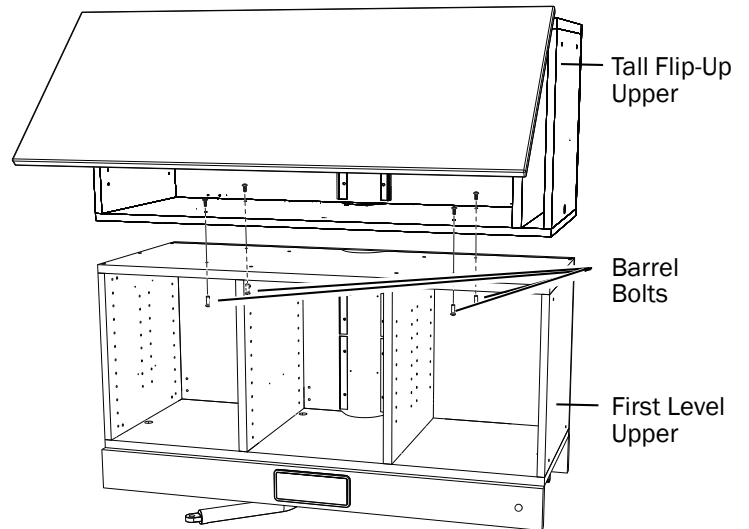


Figure 12. Secure the Tall Flip-Up Upper



- Route the tubing down the center of the right side panel. When the end cap is attached, the tubing will align with a clearance pocket in the end cap. See Figure 13.



NOTE Be careful to not pinch the tubing between the side of the module and the end cap.

- Use the twelve #10 X 1-1/4" wood screws provided in kit p/n 56.1258.00 to attach the end caps to the sides. See Figure 13.
- Use the remaining four #6 X 1/2" wood screws provided in kit p/n 56.1258.00 to attach the front master panel to the end caps and the module bottom. See Figure 11 on page 5.
- Use the barb locks provided in kit p/n 56.1246.00 to attach the air cylinder lines to the two open ports on the toggle valve. See Figure 14.
- Remove the hex nut and insert the toggle valve through the backside of the master panel while aligning the barbs with the slot in the cutout. See Figure 14.
- Use either the hex nut provided on the toggle valve or the decorative knurled nut provided in kit p/n 56.1246.00 to secure the valve to the master panel. See Figure 15.
- Route the yellow supply line to the subbase. Use the supplied air fittings to splice it into a supply air line.



NOTE If a 1/8" (3.2 mm) air line is not available, use the extra air fittings from the kit to splice into a 1/4" (6.4 mm) air line.

- Reinstall the rear master panel.
- Reinstall the doors.

Figure 13. Secure the Master Panel

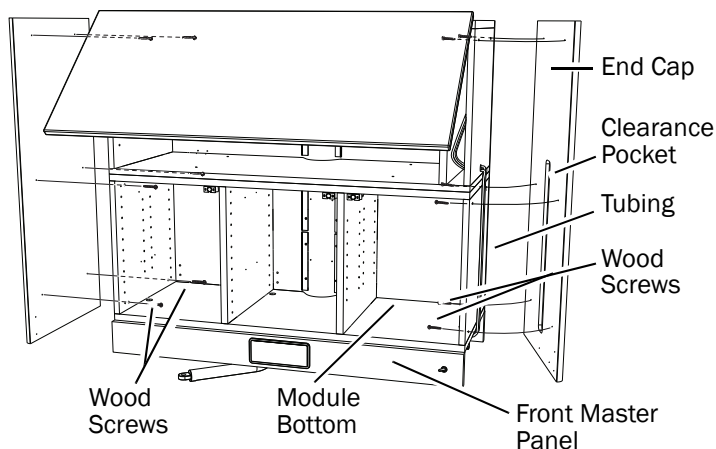


Figure 14. Install the Toggle Valve

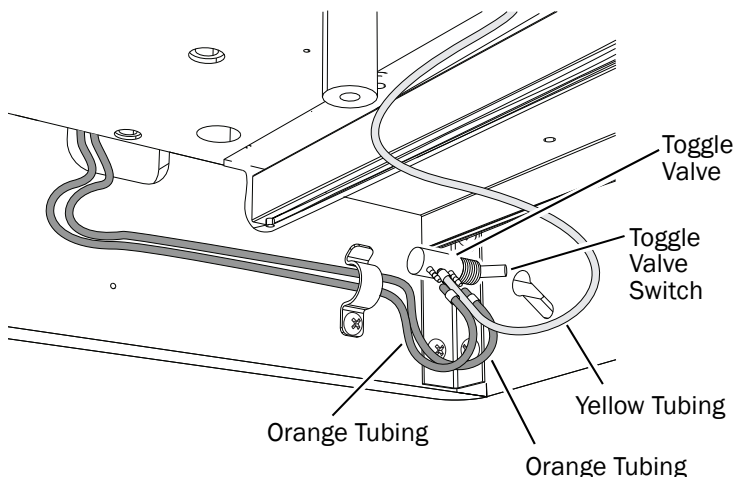
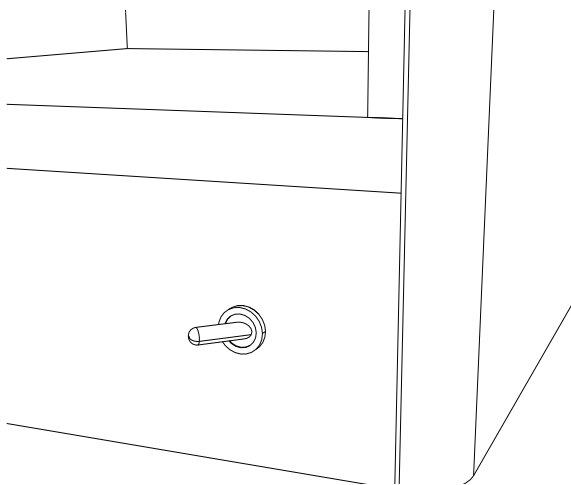


Figure 15. Secure the Toggle Valve



Install the Soffit

The configuration of your soffit will depend on the height of the soffit. The installation procedure below applies to all configurations, but the quantity of hardware will vary.

Assemble the Center Soffit

1. Connect the bottom rail to the back panel. Connect the back and bottom to the sides. Lock all pieces together by tightening the cams with a screwdriver. See Figure 16.
2. Carefully lift and align the soffit on top of the cabinet. The soffit should fit flush on the sides and back and be recessed in the front.
3. Use the 3/4" wood screws provided in kit p/n 56.1260.00 to secure the soffit through the angle brackets. See Figure 17.
4. Use the 1-1/4" black screws to attach the bottom rail of the soffit to the top of the upper. See Figure 17.
5. Snap on the front panels. Make sure the panels are oriented such that the metal handles are on the bottom. See Figure 18.

Figure 16. Assemble the Center Soffit

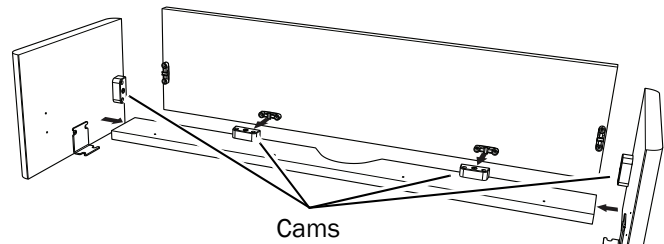


Figure 17. Secure the Center Soffit with Wood Screws

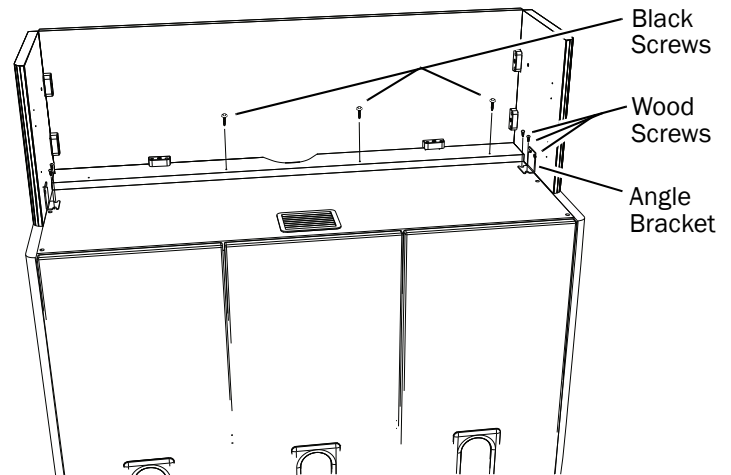
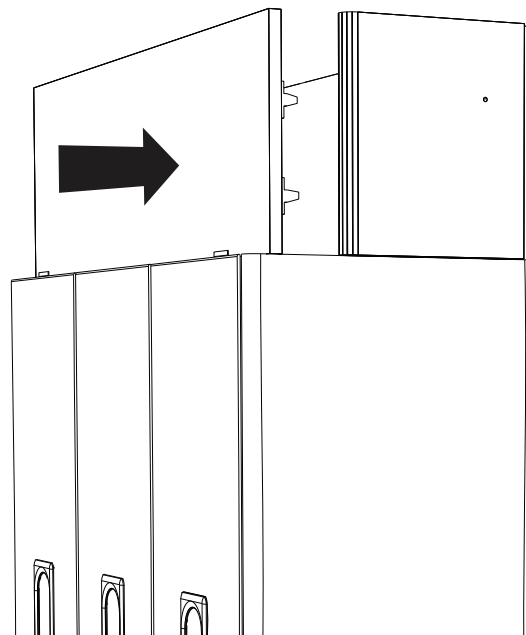


Figure 18. Snap on the Panels



Install the Worksurface

If a worksurface is not being installed, continue with “Install the Drawers and Doors” below.

1. Swing out the worksurface mounting arm. Install the stop screw and washer to the underside of the countertop. See Figure 19.
2. Place the spacer onto the pivot stud. Install the worksurface pivot stud into the mounting arm. See Figure 20.
3. Tighten the setscrew for the desired rotation tension.



NOTE If you're installing assistant's instrumentation or a delivery system, do so now. Refer to the installation instructions that came with the system.

Install the Drawers and Doors

Reinstall the drawers and doors to their original positions.



NOTE Doors and drawers are individually adjusted for proper positioning when manufactured. You must return them to their original position or fit and function may be compromised.



NOTE Some bottom drawer knobs are installed backwards so they are not damaged during shipping. Remove these knobs and reinstall them in the correct orientation.

Figure 19. Place the Stop for the Worksurface

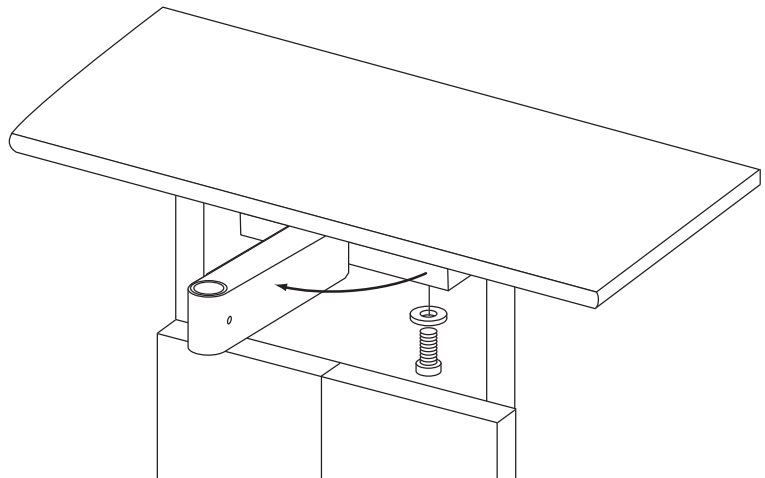
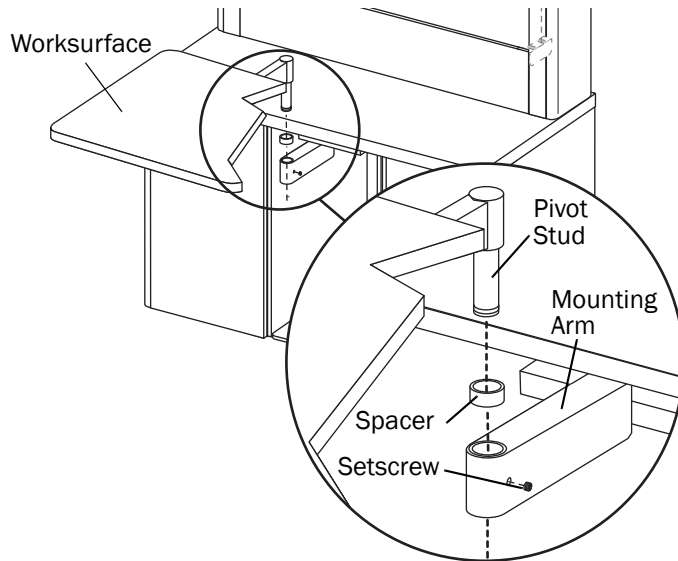


Figure 20. Install the Worksurface



Adjustments

Level the Upper Cabinets

You may need to level the upper cabinets if:

- The console has an extended upper storage unit or a tall flip-up upper storage unit; *and*
- The console has a side-opening module. See Figure 21.

If the console does not have tall upper cabinets and a side-opening module, the cabinets do not require this adjustment.

1. Use a 5/32" hex key to loosen the front column bolt by 1/4" (6 mm). If the console has two side-opening modules, loosen the front column bolt on both sides. See Figure 22.
2. Use a Phillips head screwdriver to loosen the four wood screws attached to the underside of the counter on each side. See Figure 22.
3. Use a 3/16" hex key to adjust the leveling screw until the upper cabinets are level. If the console has two side-opening modules, adjust the leveling screws evenly on both sides. See Figure 23.
4. Gently tighten the front column bolt(s) and wood screws.



NOTE Over tightening the column bolt(s) may cause the upper cabinets to lean forward.



TIP Use white silicone to fill the gap between the steel support bracket and the module wood top.

Figure 21. Leveling Screw Location

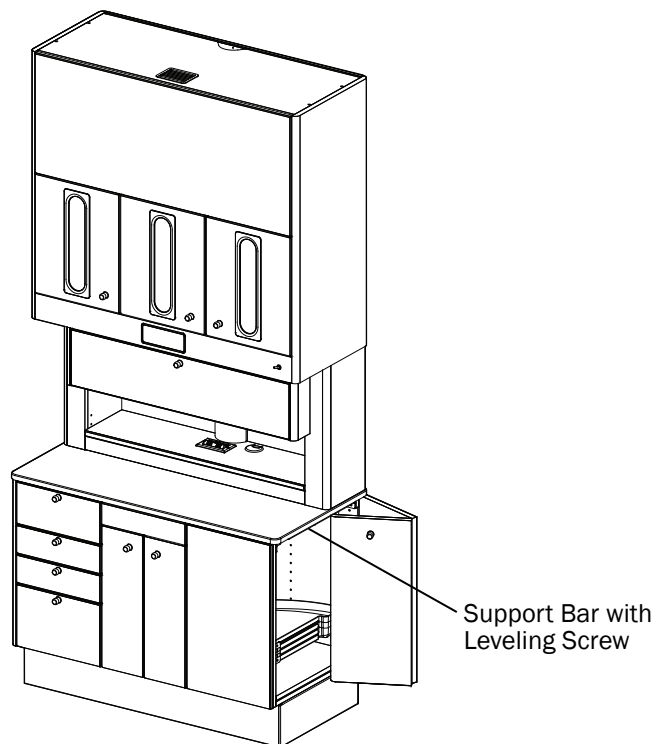


Figure 22. Loosen the Front Column Bolt

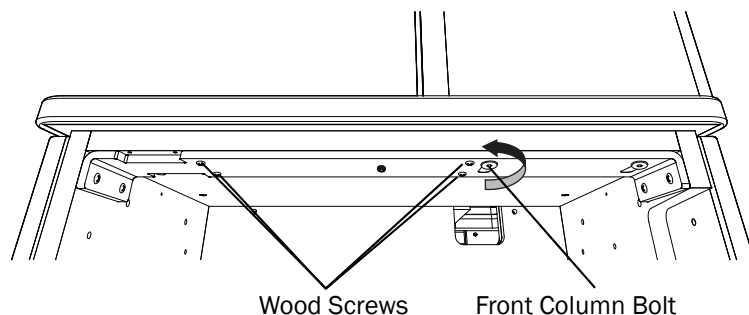
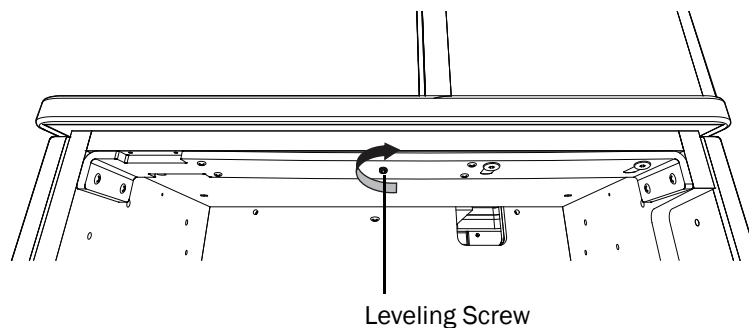


Figure 23. Adjust the Leveling Screw



Adjust the Drawer Fronts

1. To move the drawer front up, turn the screw in the hinge clamp clockwise. See Figure 24.
2. To move the drawer front down, open the hinge from the bottom with a screwdriver, turn the screw counterclockwise, and push the drawer front down. See Figure 25.
3. Close the clamp and turn the screw clockwise until the drawer front is in the desired position.

Figure 24. Move the Drawer Front Up

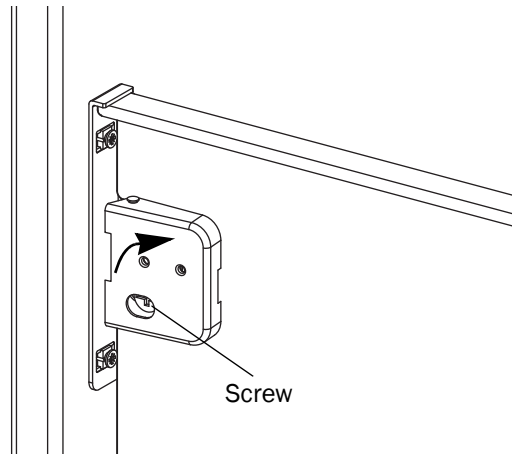
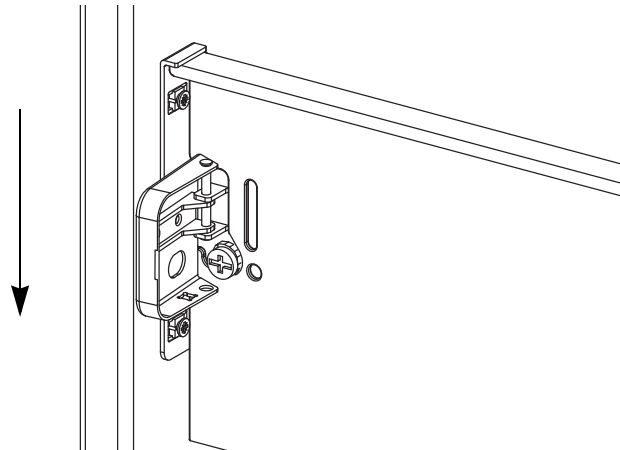


Figure 25. Move the Drawer Front Down



Adjust the Door Alignment

The console doors are adjustable for depth, height, and side-to-side alignment. See Figure 26.



CAUTION To avoid stripping the screws, use a #2 Pozi screwdriver when making adjustments to the door hinges.

Depth Adjustment

Turn the depth adjustment screw on both the upper and lower door hinges until the door is in the desired position. See Figure 26.

Height Adjustment

Loosen the height adjustment screw one-quarter turn on both the upper and lower hinge mounting plate. Move the door up or down to the desired position. Tighten the screws. See Figure 26.

Side-to-Side Adjustment

Turn the side-to-side adjustment screw on both the upper and lower door hinges until the door is in the desired position. The gap between the doors should be $5/32$ " (4 mm). See Figure 26.

Adjust the Soft Close Mechanism

The soft close mechanism can be adjusted. Turn the screw counterclockwise to further dampen the door closing. See Figure 27.



NOTE The soft close device can be over extended causing it to stick. Turn the adjustment screw clockwise until the mechanism releases.

Figure 26. Door Adjustment Screws

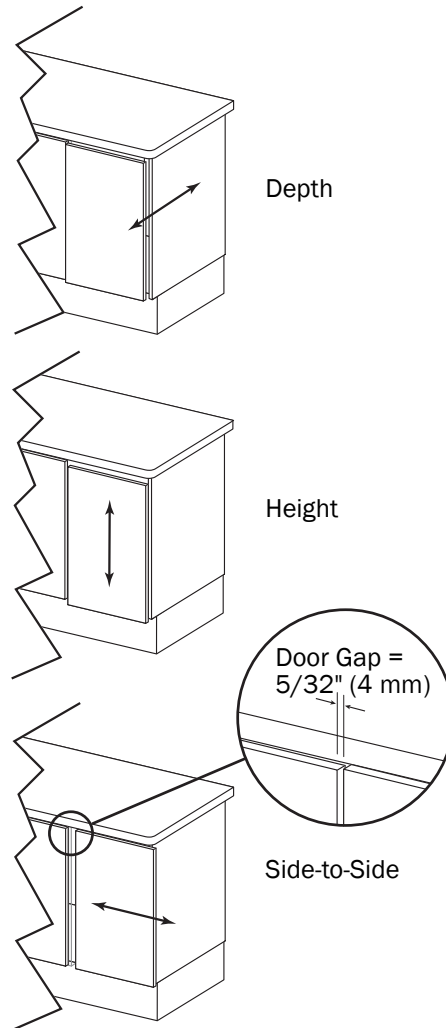
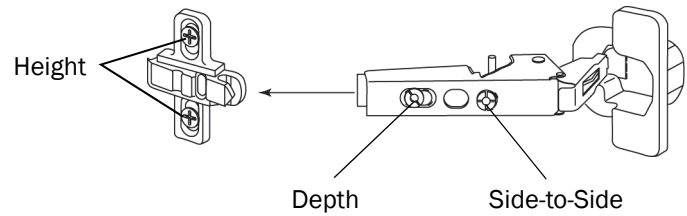
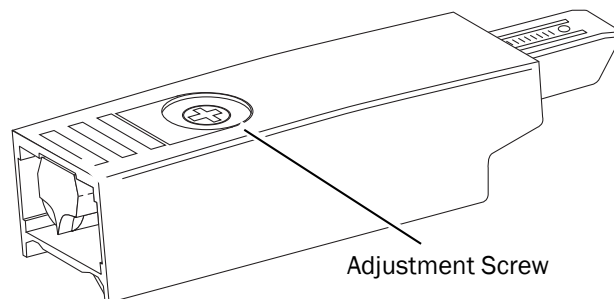


Figure 27. Soft Close Mechanism



Connect a USB Cable to a Computer



NOTE Some versions of this cabinet may not be fitted with USB functionality.

1. Use a 5/32" hex key to remove the two decorative screws and the accessory panel. See Figure 28.
2. Locate the ends of the USB cables distributed from the USB panel.
3. Remove the cable ties from the USB cables.
4. Connect the USB cables to a computer or to a powered booster device.



NOTE The USB panel is not powered. 9' (2.7 m) is the maximum cable length that can be plugged into the panel without a powered booster.

5. Replace the accessory panel.

Regulatory Information

Regulatory information mandated by agency requirements is provided with A-dec dental equipment in the *Instructions for Use* and the separate *Regulatory Information, Specifications, and Warranty* document (p/n 86.0221.00). These documents are also available at www.a-dec.com in the Document Library.

A-dec Headquarters
2601 Crestview Drive
Newberg, OR 97132 USA
Tel: 1.800.547.1883 Within USA/Canada
Tel: 1.503.538.7478 Outside USA/Canada
Fax: 1.503.538.0276
www.a-dec.com / www.a-dec.biz

A-dec Inc. makes no warranty of any kind with regard to the content in this document including, but not limited to, the implied warranties of merchantability and fitness for a particular purpose.

Figure 28. Accessory Panel and Cables Locations

