



# Preference Collection® 5562 Treatment Column

## INSTALLATION GUIDE



**WARNING** Failure to install the 5562 as described in this installation guide may cause the unit to collapse, resulting in serious injury to personnel.

### Recommended Tools

- Leveling device
- Tape measure
- Hex key set
- Drill with 1/2" concrete and 9/32" wood drill bits
- Phillips head and standard screwdrivers
- Adjustable wrench
- 7/16" open-end wrench
- #2 POZIDRIV® Phillips head screwdriver

### Before You Begin

- Check with appropriate building and code authorities about local installation requirements.
- Ensure the manual air and water shutoff valves are installed where needed.



**CAUTION** Purge any debris from the air and water lines. Failure to do this causes leaks.



- The utilities must be installed according to prevailing building codes and the appropriate Preference Collection 5562 Treatment Column templates. For pre-installation instructions, refer to the *A-dec Dental Furniture Pre-Installation Guide* (p/n 86.0142.00) found in the Document Library on [www.a-dec.com](http://www.a-dec.com).
- If you are installing an A-dec 541 or 545 delivery system, go to "Install the Delivery System Mount" on page 2.
- If you are not installing an A-dec 541 or 545 delivery system, see "Install the Treatment Column" on page 2.

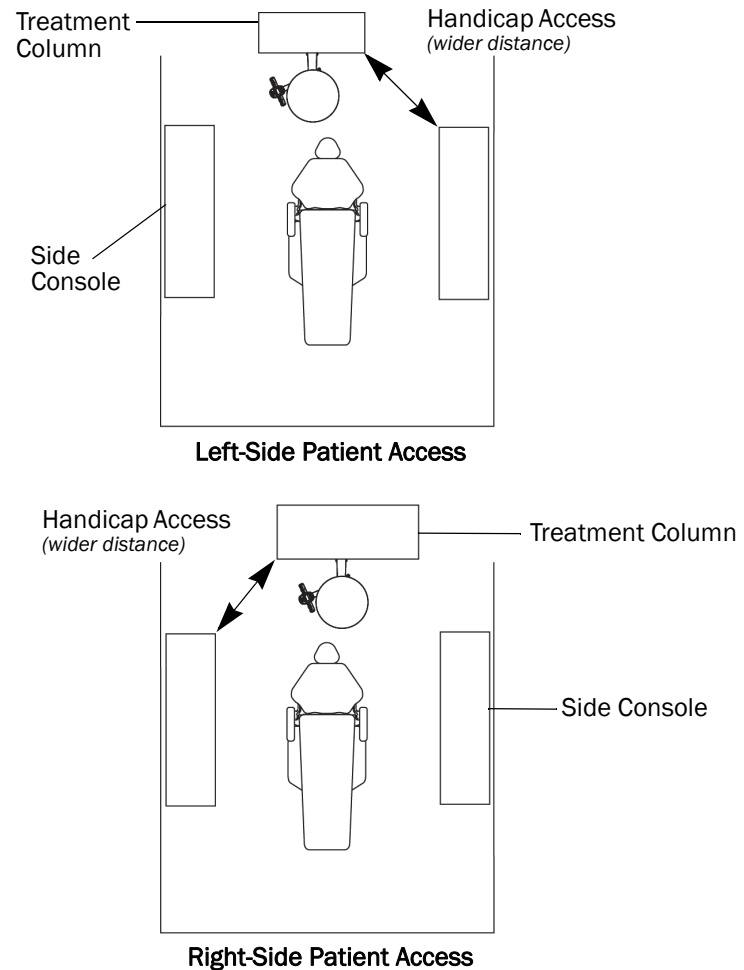
## Install the Delivery System Mount

1. Determine where the delivery system will be mounted on the treatment column. See Figure 1.
2. For system installation instructions, refer to the *A-dec 500 12 O'Clock System Installation Guide* (p/n 86.0466.00).



**NOTE** Not every operatory needs to have handicap access. Follow the local code requirements in your area.

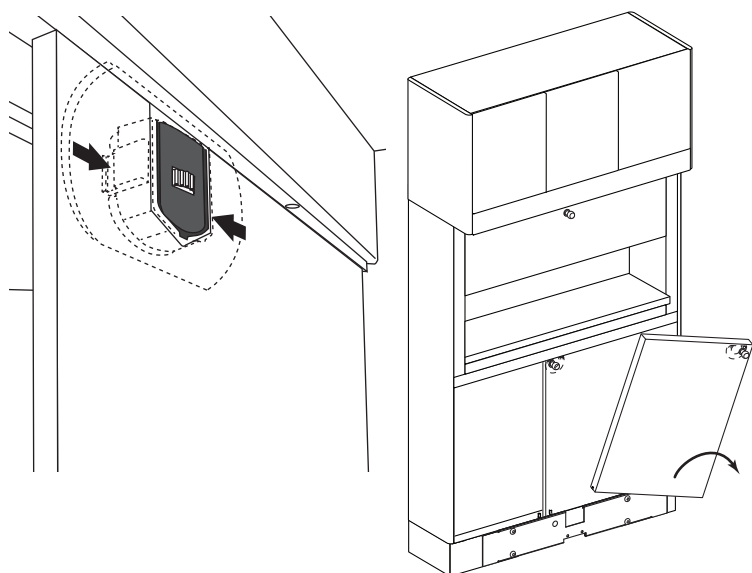
**Figure 1. Locate the Delivery System Mount**



## Install the Treatment Column

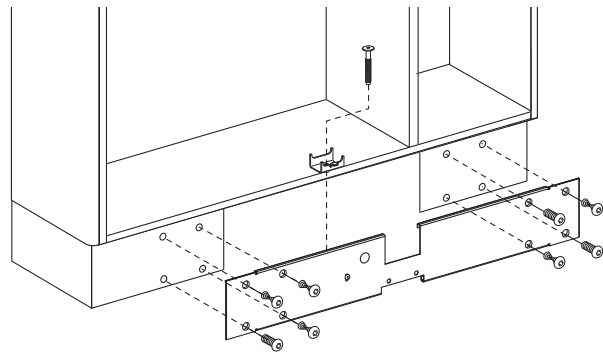
1. Position both doors so you can reach behind and access the glide on the right side of the right door.
2. Press the tabs on the right glide to release it from the housing.
3. Rotate the door outward and slide it to access the other glide; then press the tabs on the glide to release it from the housing.
4. Slide the door to the end of the pin and remove it from the treatment column.
5. Press the tabs on the glides on the left door to release them from the housing.
6. Slide the door to the end of the pin and remove it from the treatment column.

**Figure 2. Remove the Sliding Doors**



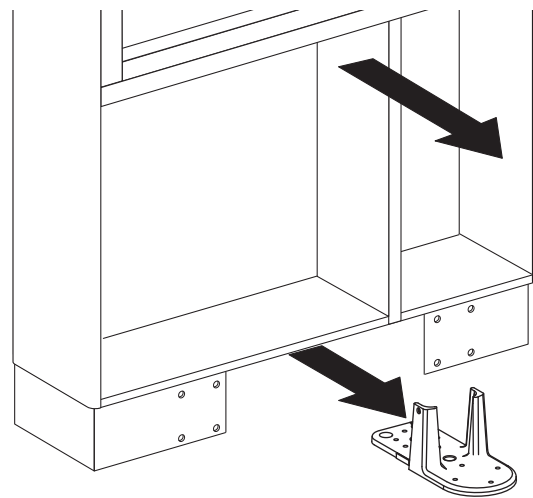
7. If a delivery system will be installed, remove the center subbase panel.

**Figure 3. Remove the Center Subbase Panel**

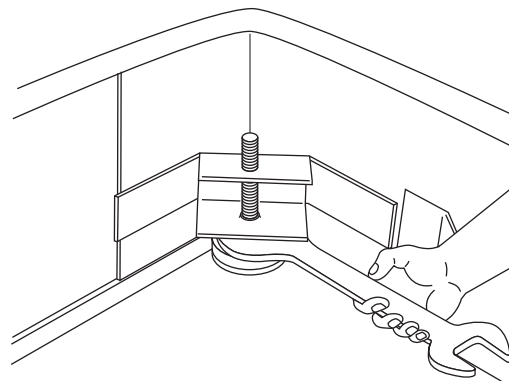


8. Move the column over the delivery system mount. Position the column with the mount in front of the door location.
9. Remove the false bottoms from each module to access the subbase.
10. Use a 7/16" open-end wrench to adjust each leveling foot located in the subbase.
11. Check the level of the treatment console. Repeat step 8 as necessary.

**Figure 4. Position the Column**



**Figure 5. Adjust the Leveling Feet**



### Prepare to Anchor the Subbase

1. Place the four anchor clips onto the subbase lip as close as possible to the corners of the module. See Figure 6.
2. Mark the floor where the anchor clip will be bolted. See Figure 7. Mark the bolt location as close as possible to the subbase. Remove the anchor clip.

### Anchor the Subbase for Concrete Floors

1. At the locations marked, drill 1/2" (12.7 mm) diameter holes a minimum of 3-1/2" (88.9 mm) deep. Drive the bolts into the holes. See Figure 8.
2. Reinstall the anchor clips over the subbase lip. See Figure 8.
3. Loosely install a hex nut and washer over an anchor clip onto each bolt.
4. To bolt down the console, position shims under the subbase beneath the area of the anchor clip as necessary. See Figure 8. Tighten each bolt firmly. If the shims protrude beyond the subbase, trim the excess.

### Anchor the Subbase for Non-Concrete Floors

1. Drill 9/32" (7.1 mm) diameter holes a minimum of 1-1/2" (38.1 mm) deep. See Figure 9. If the flooring material is not at least 1-1/2" (38.1 mm) thick, consult your licensed contractor about adding reinforcement to the flooring.
2. Reinstall the anchor clips over the subbase lip. See Figure 9.
3. Loosely install a bolt with a washer through each anchor clip into each drilled hole.
4. To bolt down the console, position shims under the subbase beneath the area of the anchor clip as necessary. See Figure 9. Tighten each bolt firmly. If the shims protrude beyond the subbase, trim the excess. See Figure 9.

Figure 6. Anchor the Clip Positions

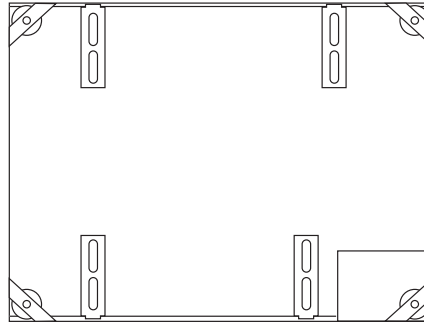


Figure 7. Mark the Drilling Location

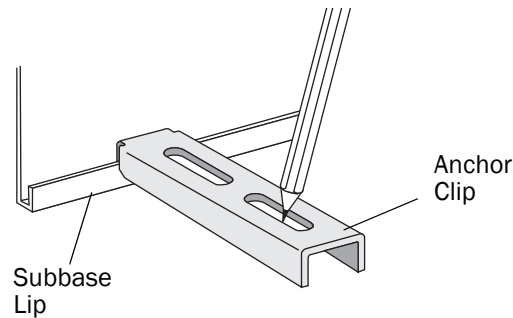


Figure 8. Install the Bolt, Nut, Washer, and Anchor Clip (Concrete)

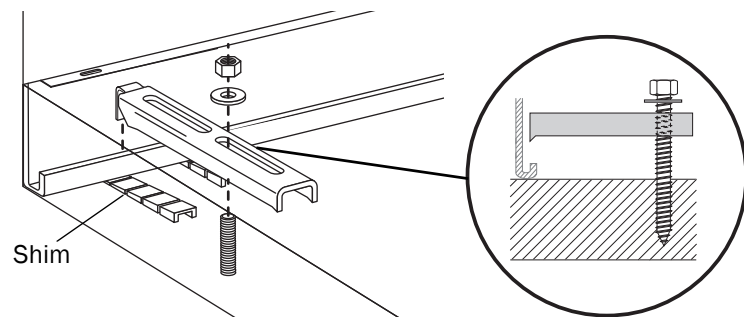
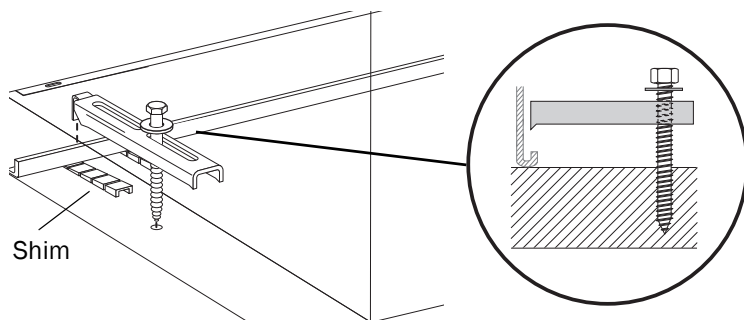


Figure 9. Install the Bolt, Nut, Washer, and Anchor Clip (Non-Concrete)



## Make the Electrical Connections

For information on electrical connections, refer to the *A-dec Dental Furniture Pre-Installation Guide* (p/n 86.0142.00) found in the Document Library on [www.a-dec.com](http://www.a-dec.com).

## Install the Upper Storage Unit

Follow the instructions for the type of upper storage unit that you have.

### Install a Standard Upper Storage Unit

1. Remove the rear master panel from the midsection. See Figure 10.
2. Carefully lift the standard upper storage unit onto the midsection.
3. Use the six screws provided in kit p/n 56.0577.00 to secure the standard upper storage unit. See Figure 10.
4. Reinstall the rear master panel onto the midsection.

Go to "Install the Soffit" on page 8.

### Install an Extended Upper Storage Unit

1. Remove the rear master panel from the midsection. See Figure 11.



**NOTE** For non-pass-through 42" uppers, use a screwdriver to remove the upper back by releasing the five cams. See Figure 12.

2. Use the six screws provided in kit p/n 56.0577.00 to install the extended upper storage unit. See Figure 11.

Figure 10. Install a Standard Upper Storage Unit

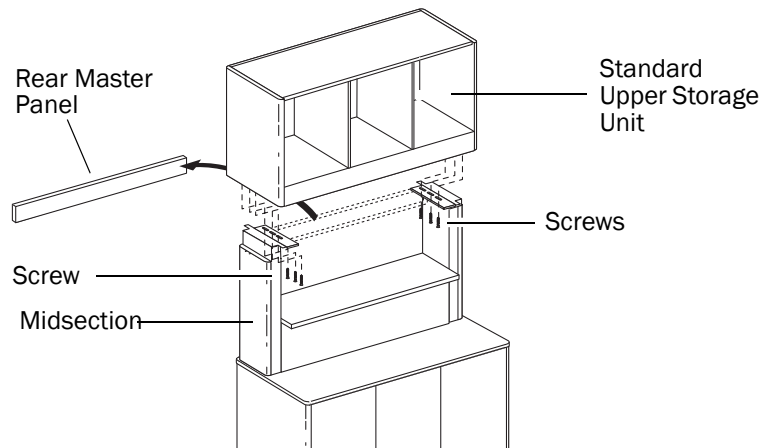


Figure 11. Install an Extended Upper Storage Unit

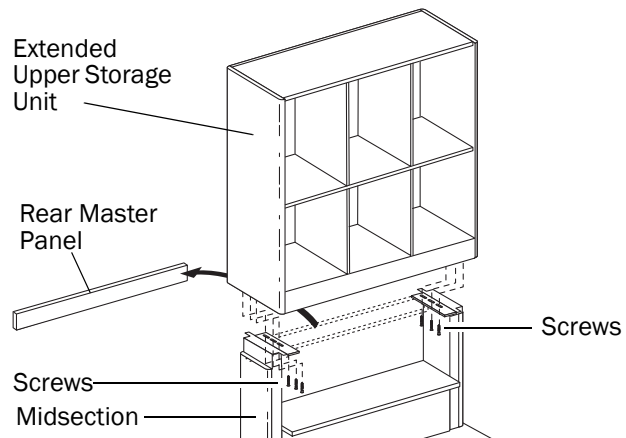
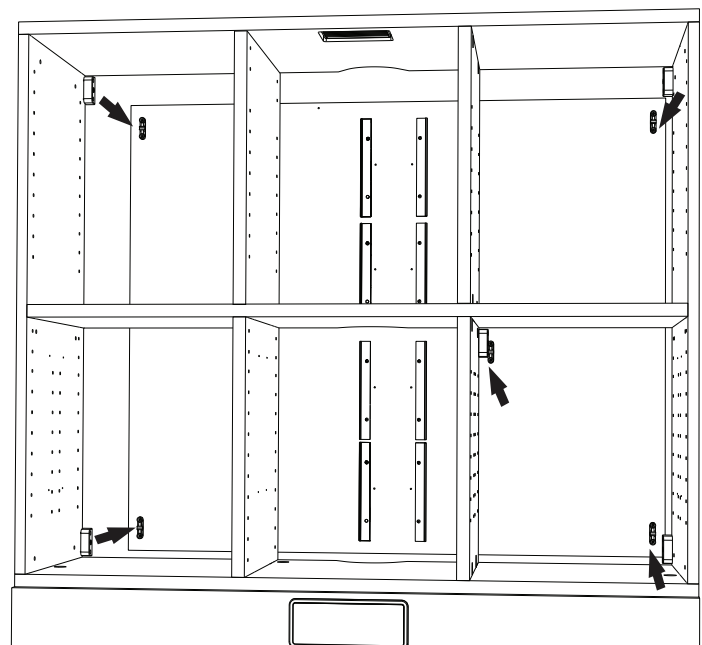


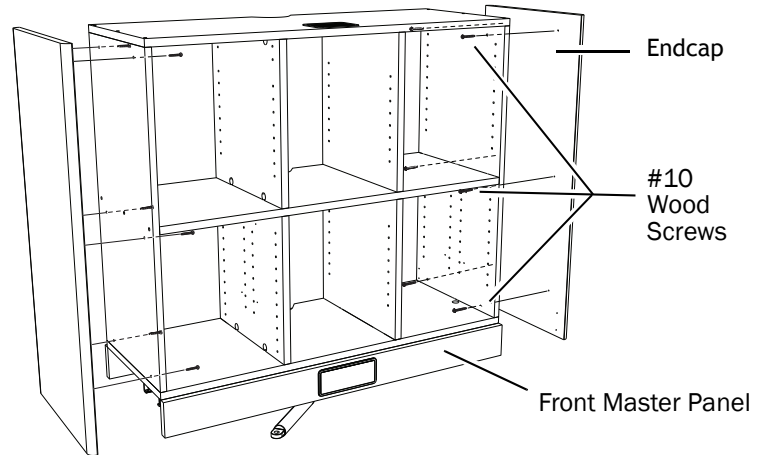
Figure 12. Remove the Back for a Non-Pass-Through Extended Upper



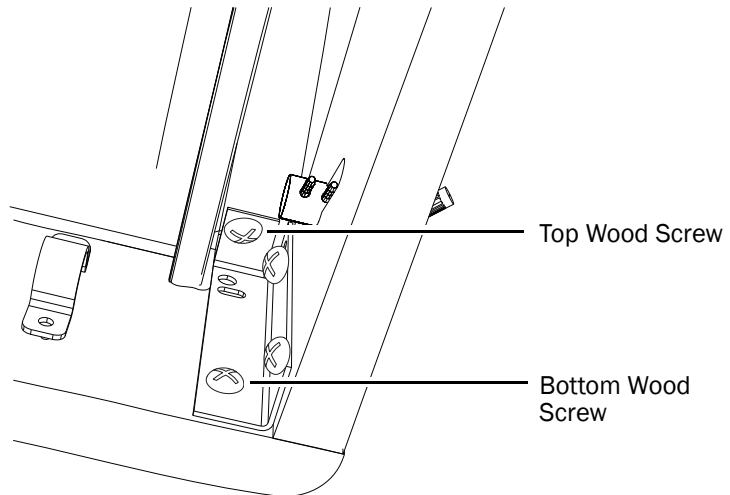
3. Use the twelve #10 x 1-1/4" wood screws provided in kit p/n 56.1258.00 to attach the end caps to the sides. See Figure 13.
4. Re-install the back panel.
5. Use the remaining four #6 x 1/2" wood screws provided in the kit p/n 56.1258.00 to attach the front master panel to the end caps and to the module bottom. See Figure 14.
6. Re-install the rear master panel onto the midsection.
7. Re-install the upper doors.

Go to "Install the Soffit" on page 8.

**Figure 13. Attach the End Caps and Panels**



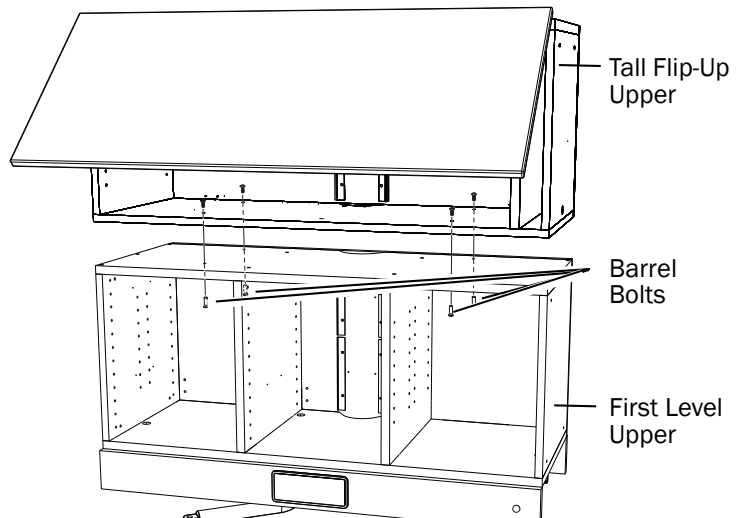
**Figure 14. Install the Master Panel**



**Install a Tall Flip-Up Upper Storage Unit**

1. Remove the rear master panel from the midsection.
2. Carefully lift the first level upper storage unit onto the midsection.
3. Use the six screws provided in kit p/n 56.0577.00 to secure the first level upper storage unit to the treatment column. See Figure 10 on page 5.
4. Carefully lift the tall flip-up upper storage unit onto the first level upper storage unit. Orient the door to the front.
5. Use the four barrel bolt sets provided in kit p/n 56.1246.00 to secure the flip-up upper to the first level upper storage unit. See Figure 15.

**Figure 15. Secure the Tall Flip-Up Upper**



- Route the tubing down the center of the right side panel. When the end cap is attached, the tubing will align with a clearance pocket in the end cap. See Figure 16.



**NOTE** Be careful to not pinch the tubing between the side of the module and the end cap.

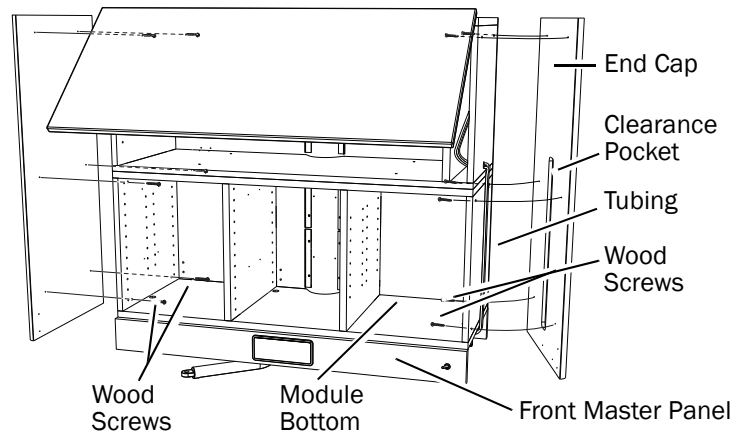
- Use twelve #10 X 1-1/4" wood screws provided in kit p/n 56.1258.00 to attach the end caps to the sides. See Figure 16.
- Use the remaining four #6 X 1/2" wood screws provided in kit p/n 56.1258.00 to attach the front master panel to the end caps and the module bottom. See Figure 14 on page 6.
- Use the barb locks provided in kit p/n 56.1246.00 to attach the air cylinder lines to the two open ports on the toggle valve. See Figure 17.
- Remove the hex nut and insert the toggle valve through the backside of the master panel while aligning the barbs with the slot in the cutout. See Figure 17.
- Use either the hex nut provided on the toggle valve or the decorative knurled nut provided in kit p/n 56.1246.00 to secure the valve to the master panel.
- Route the yellow supply line to the subbase. Use the supplied air fittings to splice it into a supply air line.



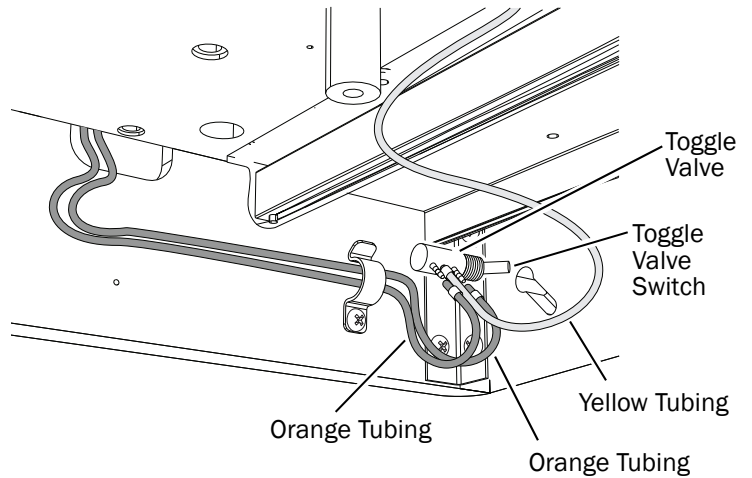
**NOTE** If a 1/8" air line is not available, use the extra air fittings from the kit to splice into a 1/4" air line.

- Reinstall the rear master panel.
- Reinstall the doors.

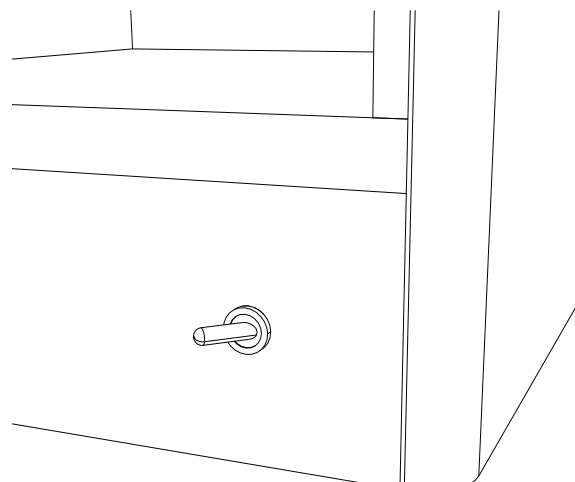
**Figure 16. Secure the Master Panel**



**Figure 17. Install the Toggle Valve**



**Figure 18. Install the Valve**





## Install the Soffit

The configuration of your soffit will depend on the height of the soffit. The installation procedure below applies to all configurations, but the quantity of hardware will vary.

### Assemble the Center Soffit

1. Connect the bottom rail to the back panel. Connect the back and bottom to the sides. Lock all pieces together by tightening the cams with a screwdriver. See Figure 19.
2. Carefully lift and align the soffit on top of the cabinet. The soffit should fit flush on the sides and back and be recessed in the front.
3. Use the 3/4" wood screws provided in kit p/n 56.1260.00 to secure the soffit through the angle brackets. See Figure 20.
4. Use the 1-1/4" black screws to attach the bottom rail of the soffit to the top of the upper. See Figure 20.
5. Snap on the front panels. Make sure the panels are oriented such that the metal handles are on the bottom. See Figure 21.

Figure 19. Assemble the Center Soffit

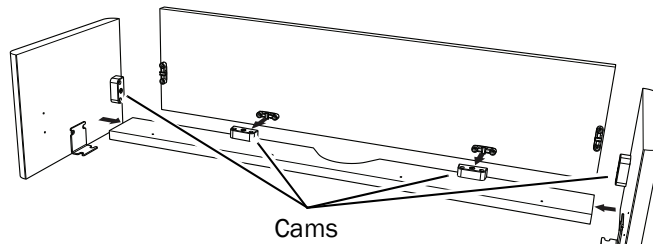


Figure 20. Secure the Center Soffit with Wood Screws

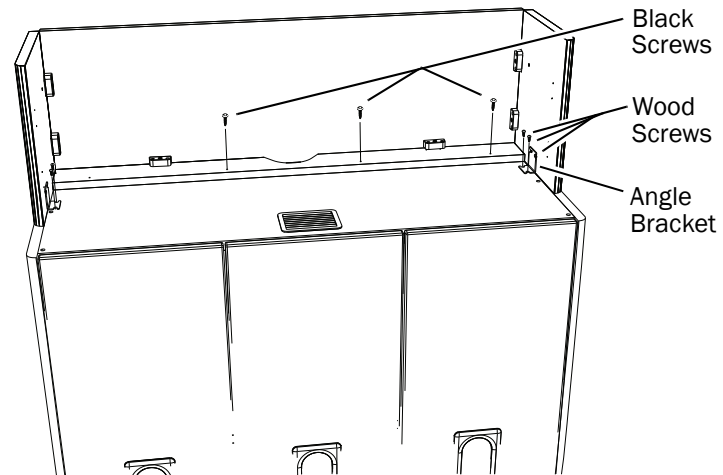
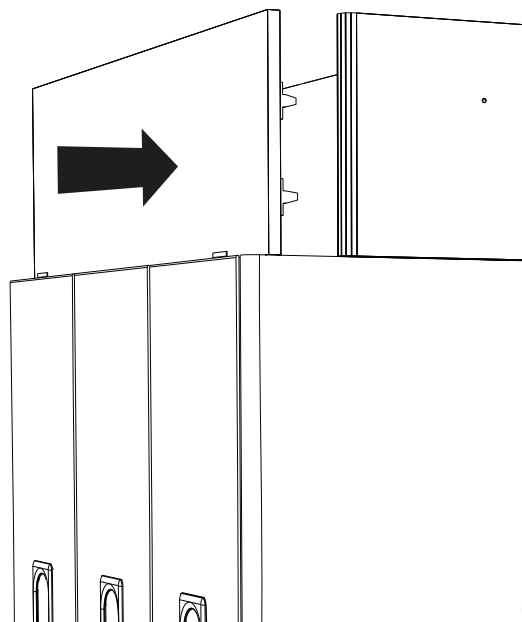


Figure 21. Snap on the Panels





## Install the Delivery System

1. If you need to install an A-dec 541/545 delivery system, do so now. Refer to the *A-dec 500 12 O'Clock System Installation Guide* (p/n 86.0466.00).
2. Reinstall the subbase panel. See Figure 23. Move the column as necessary.

## Reinstall the Doors, Drawers, False Bottoms, and Shelves

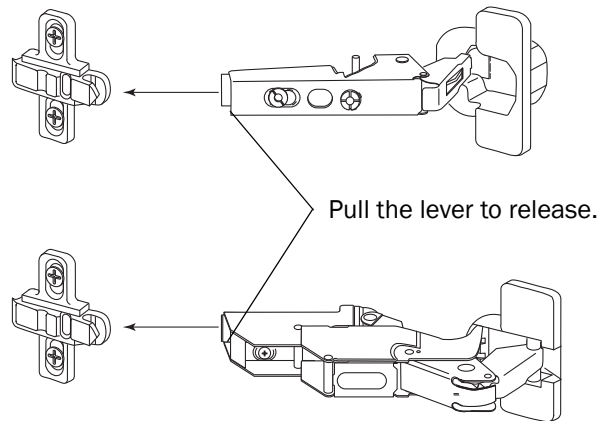
1. Reinstall the doors and false bottoms to their original positions.



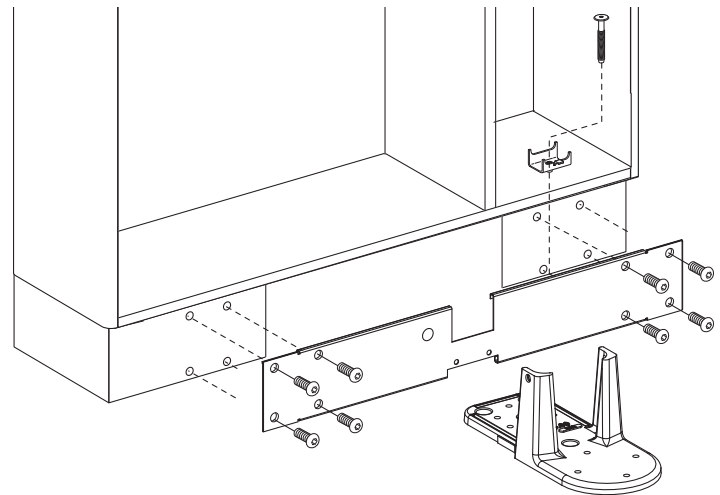
**NOTE** Doors are individually adjusted for proper positioning when manufactured. You must return them to their original position or their fit and function may be compromised.

2. Install slide-out drawers and shelves. Ensure there is enough clearance between the shelves and the delivery system when the shelves are installed.

**Figure 22. Quick-Release Hinges (two versions shown)**



**Figure 23. Reinstall the Subbase Panel**



## Door Alignment

The console doors are adjustable for depth, height, and side-to-side alignment. See Figure 24.



**CAUTION** To avoid stripping the screws, use a #2 POZI screwdriver when making adjustments to the door hinges.

### Depth Adjustment

Turn the depth adjustment screw on both the upper and lower door hinges until the door is in the desired position. See Figure 24.

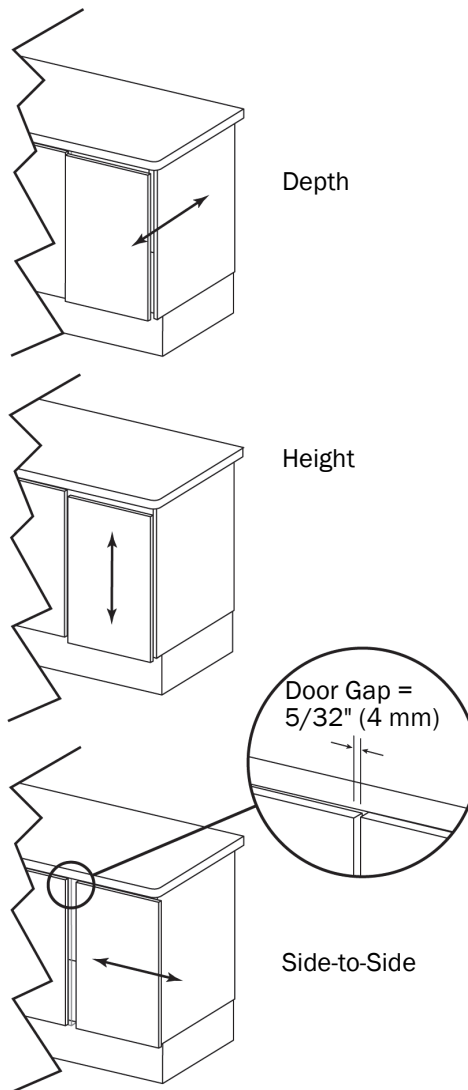
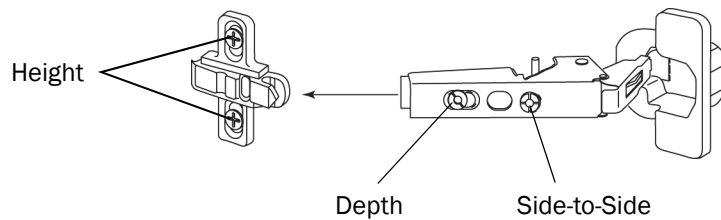
### Height Adjustment

Loosen the height adjustment screw one-quarter turn on both the upper and lower hinge mounting plate. See Figure 24. Move the door up or down to the desired position. Tighten the screws.

### Side-to-Side Adjustment

Turn the side-to-side adjustment screw on both the upper and lower door hinges until the door is in the desired position. The gap between the doors should be  $5/32$ " (4 mm). See Figure 24.

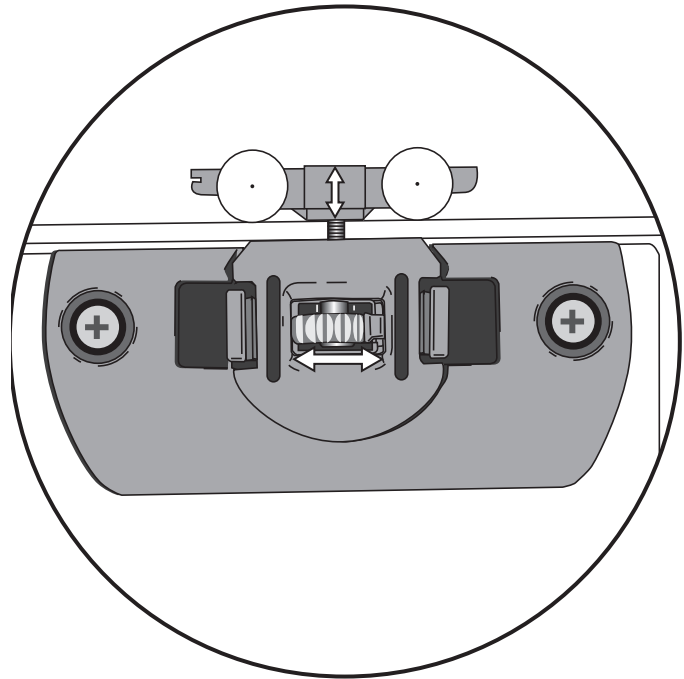
Figure 24. Door Adjustment Screws



### Adjust the Glide Door Height

Use the wheel on the glide to move the door up and down.

Figure 25. Adjust the Glide Door



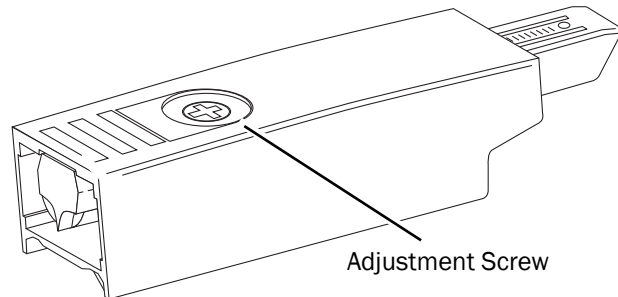
### Soft Close Adjustment

The soft close mechanism can be adjusted. Turn the screw counterclockwise to further dampen the door closing.

Figure 26. Soft Close Adjustment



**NOTE** The soft close device can be over extended causing it to stick. Turn the adjustment screw clockwise until the mechanism releases.



## Connect a USB Cable to a Computer



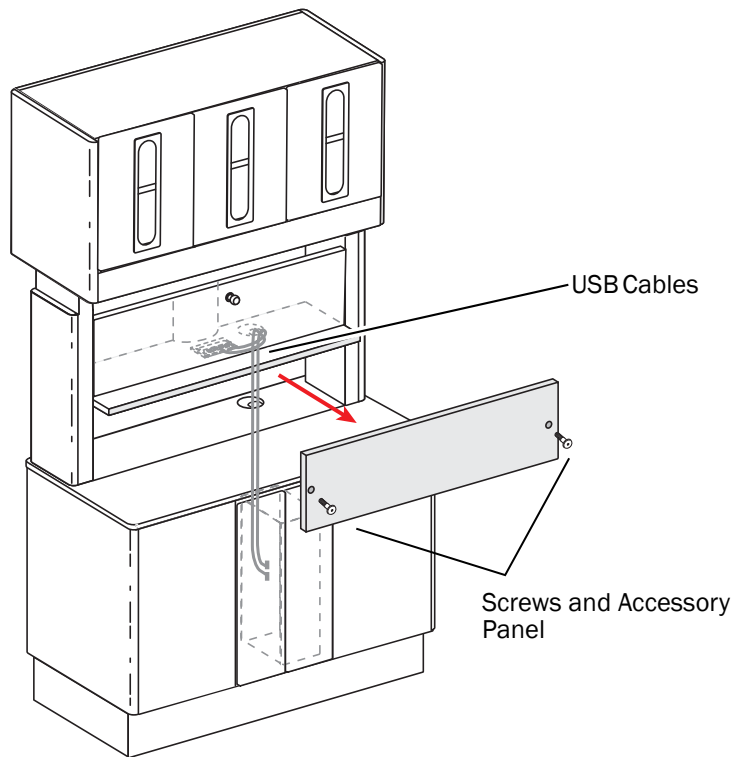
**NOTE** Some versions of this cabinet may not be fitted with USB functionality.

1. Use a 5/32" hex key to remove the two decorative screws and the accessory panel.
2. Locate the ends of the USB cables distributed from the USB panel.
3. Remove the ties from the USB cables.
4. Connect the USB cables to a computer or to a powered booster device.



**NOTE** The USB panel is not powered. 9' is the maximum cable length that can be plugged into the panel without a powered booster.

Figure 27. Accessory Panel and Cables Locations



## Regulatory Information

Regulatory information mandated by agency requirements is provided in the *Regulatory Information, Specifications, and Warranty* document (p/n 86.0221.00), which is available in the Document Library at [www.a-dec.com](http://www.a-dec.com).

POZIDRIV® is a registered trademark of the Phillips Screw Company.

### A-dec Headquarters

2601 Crestview Drive  
Newberg, OR 97132 USA  
Tel: 1.800.547.1883 Within USA/Canada  
Tel: 1.503.538.7478 Outside USA/Canada  
Fax: 1.503.538.0276  
[www.a-dec.com](http://www.a-dec.com) / [www.a-dec.biz](http://www.a-dec.biz)

A-dec Inc. makes no warranty of any kind with regard to the content in this document including, but not limited to, the implied warranties of merchantability and fitness for a particular purpose.



86.0136.00 Rev N  
Copyright 2014 A-dec Inc.  
All rights reserved.  
IGunbw11