



Preference Collection® 5662 Treatment Column

INSTALLATION GUIDE



WARNING Failure to install the 5662 as described in this installation guide may cause the unit to collapse, resulting in serious injury to personnel.

Recommended Tools

- Leveling device
- Tape measure
- Hex key set
- Drill with 7/32" wood bit
- Wood shims
- Phillips head screwdriver
- Adjustable wrench
- 7/16" open-end wrench
- #2 POZIDRIV® Phillips head screwdriver

Before You Begin

- Check with appropriate building and code authorities about local installation requirements.
- Ensure the manual air and water shutoff valves are installed where needed.



CAUTION Purge any debris from the air and water lines. Failure to do this causes leaks.



- The utilities must be installed according to prevailing building codes and the appropriate Preference Collection 5662 Treatment Insert templates. For pre-installation instructions, refer to the *Dental Furniture Pre-Installation Guide* (p/n 86.0142.00), which is available in the Document Library on www.a-dec.com.
- If you are installing an A-dec 541 or 545 delivery system, go to "Install the Delivery System Mount" on page 2.
- If you are not installing an A-dec 541 or 545 delivery system, go to "Install the Treatment Column" on page 3.

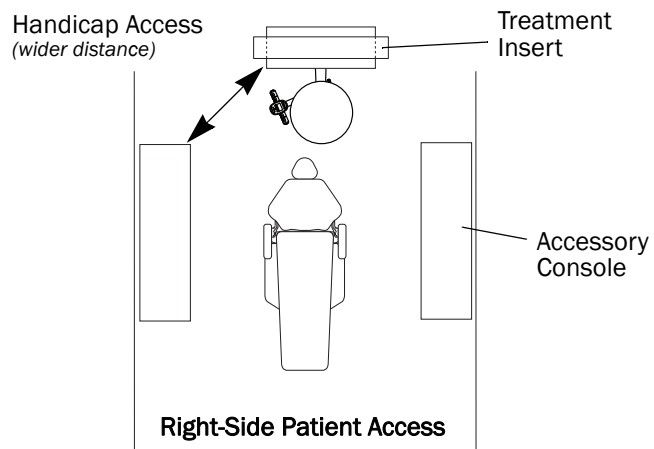
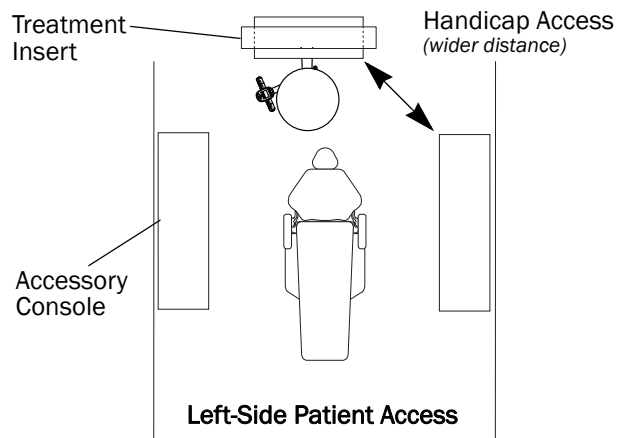
Install the Delivery System Mount

1. Determine where the delivery system will be mounted on the treatment insert. See Figure 1.
2. For system installation instructions, refer to the *A-dec 500 12 O'Clock System Installation Guide* (p/n 86.0466.00).



NOTE Not every operatory needs to have handicap access. Follow the local code requirements in your area.

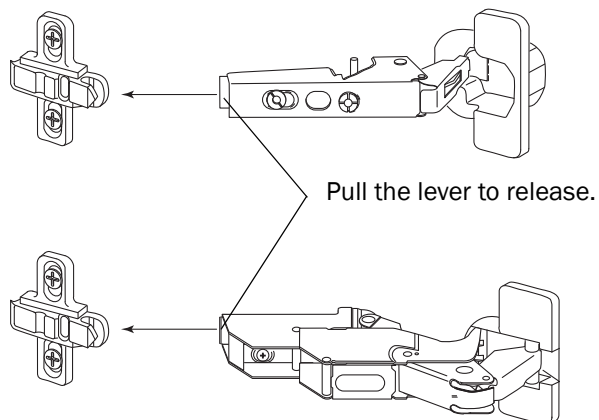
Figure 1. Locate the Delivery System Mount



Install the Upper

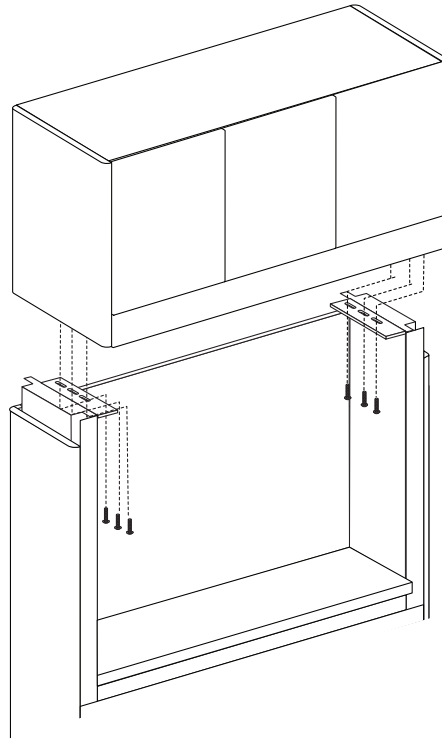
1. Remove the doors from the upper storage. The doors are fitted with quick release hinges.

Figure 2. Quick-Release Hinges (two versions shown)



2. Install and secure the upper to the treatment column using a 5/32" hex key and the six 1/4-20 screws.

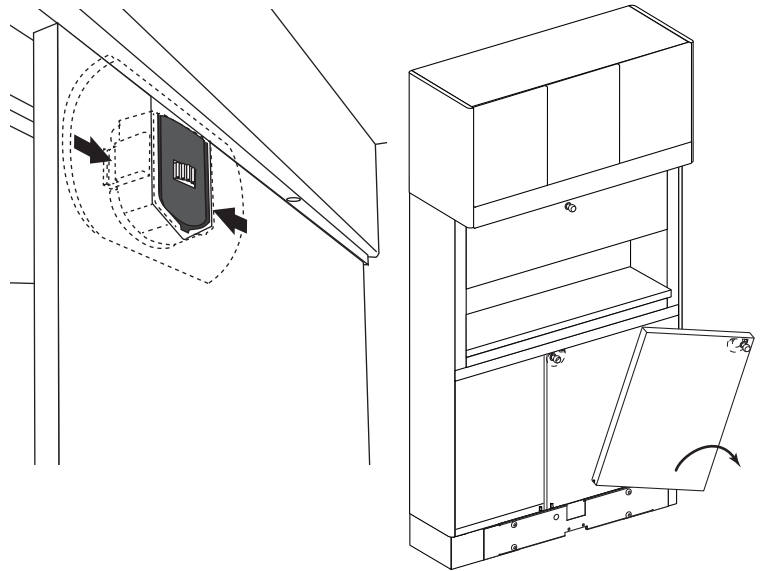
Figure 3. Install the Upper



Install the Treatment Column

1. Position both doors so you can reach behind and access the glide on the right side of the right door.
2. Press the tabs on the right glide to release it from the housing.
3. Rotate the door outward and slide it to access the other glide; then press the tabs on the glide to release it from the housing.
4. Slide the door to the end of the pin and remove it from the treatment column.
5. Press the tabs on the glides on the left door to release them from the housing.
6. Slide the door to the end of the pin and remove it from the treatment column.

Figure 4. Remove Sliding Doors



7. Move the treatment insert into the wall over the delivery system mount location and onto the support blocks (see Figure 5).
8. Position the treatment insert so the delivery system mount will be in front of the door location. The upper storage will extend into the hallway 1-1/2" (38.1 mm).
9. Shim the treatment insert so it is plumb and square.

Secure the Treatment Insert

1. Using a pencil, mark 2" (50.8 mm) from the top and bottom on both sides of the treatment insert where it will align to the stud locations when installed (see Figure 6).
2. Drill a 7/32" (5.6 mm) diameter hole through the side panels at each location.
3. Use a Phillips head screwdriver to install four #9 x 2-1/4" screws on each side of the treatment insert, through the shims and into the wall studs (see Figure 7).
4. Make the electrical connections. Refer to the *A-dec Dental Furniture Pre-Installation Guide* (p/n 86.0142.00), which is available in the Document Library on www.a-dec.com.

Figure 5. Install Treatment Insert

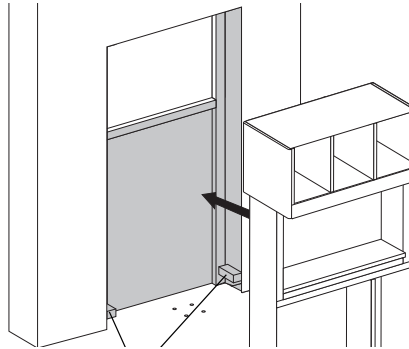


Figure 6. Mark Holes

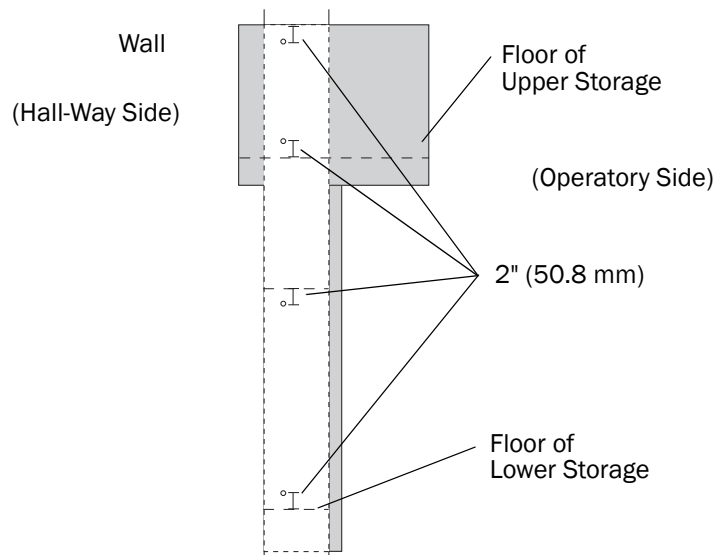
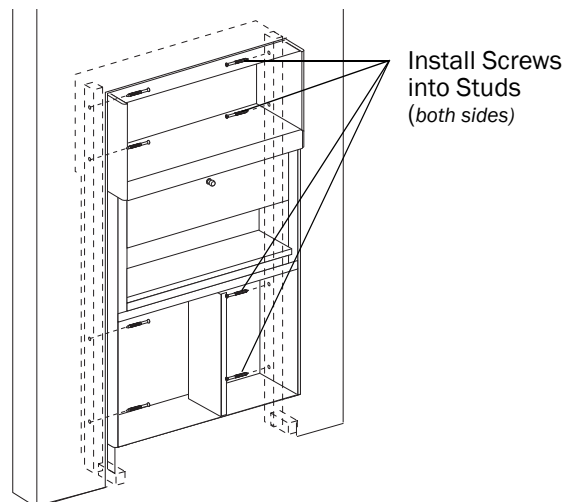


Figure 7. Screw Placement



Install the Delivery System

1. Align and square the delivery system mount to the column. Install the mount.
2. Refer to the *A-dec 500 12 O'Clock System Installation Guide* (p/n 86.0466.00) to install the A-dec 541/545 delivery system.
3. Use a 5/32" hex key to install the subbase end panels to the column with a 1/4-20 bolt and nut on each side. Be sure the module is level (see Figure 8).
4. Use a Phillips head screwdriver and 10-32 screws to install the front subbase panel (see Figure 9). Ensure the subbase panel and module are level.

Reinstall the Doors, Drawers, False Bottoms, and Shelves

1. Reinstall the doors and false bottoms to their original positions.



NOTE Doors are individually adjusted for proper positioning when manufactured. You must return them to their original position or their fit and function may be compromised.

2. Install slide-out drawers and shelves. Ensure there is enough clearance between the shelves and the delivery system when the shelves are installed.

Figure 8. Install Subbase Front Panel

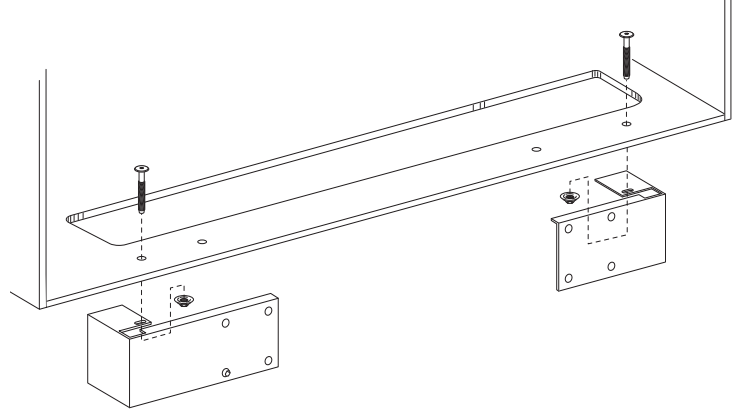
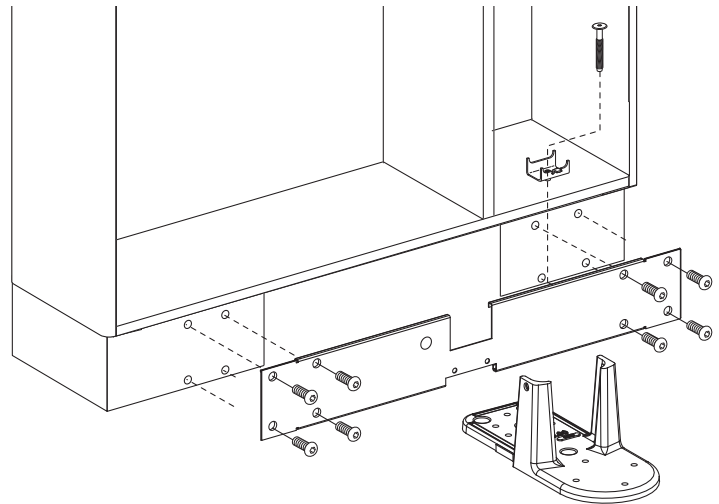


Figure 9. Install Subbase for System Mount



Adjustments

Door Alignment

The console doors are adjustable for depth, height, and side-to-side alignment.



CAUTION To avoid stripping the screws, use a #2 POZIDRIV screwdriver when making adjustments to the door hinges.

Depth Adjustment

Turn the depth adjustment screw on both the upper and lower door hinges until the door is in the desired position.

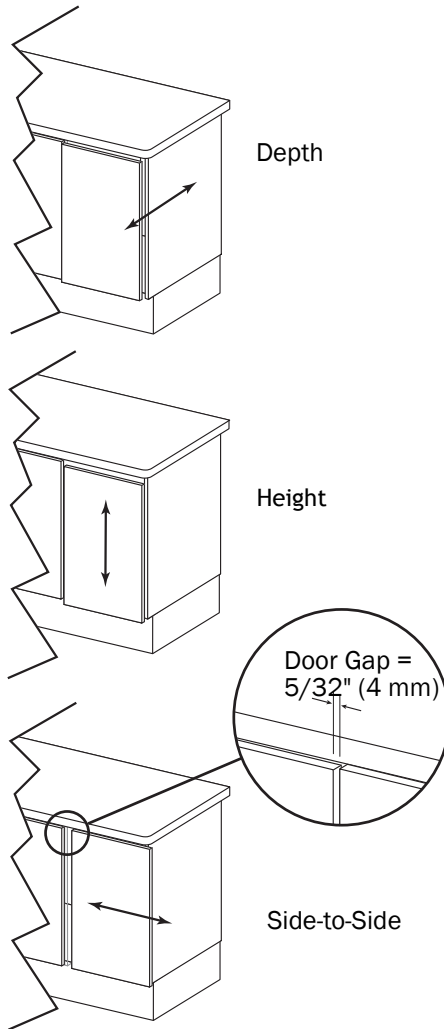
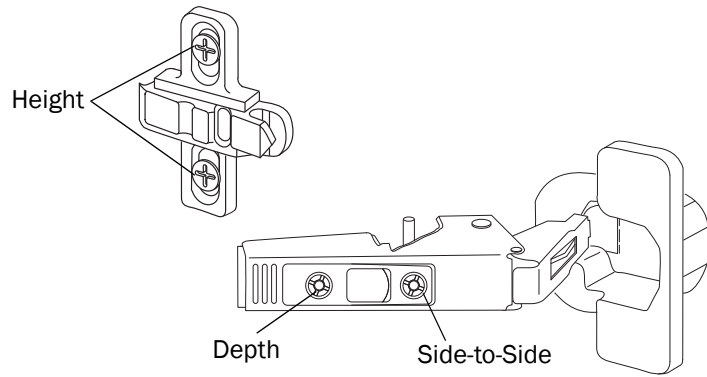
Height Adjustment

Loosen the height adjustment screw one-quarter turn on both the upper and lower hinge mounting plate. Move the door up or down to the desired position. Tighten the screws.

Side-to-Side Adjustment

Turn the side-to-side adjustment screw on both the upper and lower door hinges until the door is in the desired position. The gap between the doors should be $5/32$ " (4 mm).

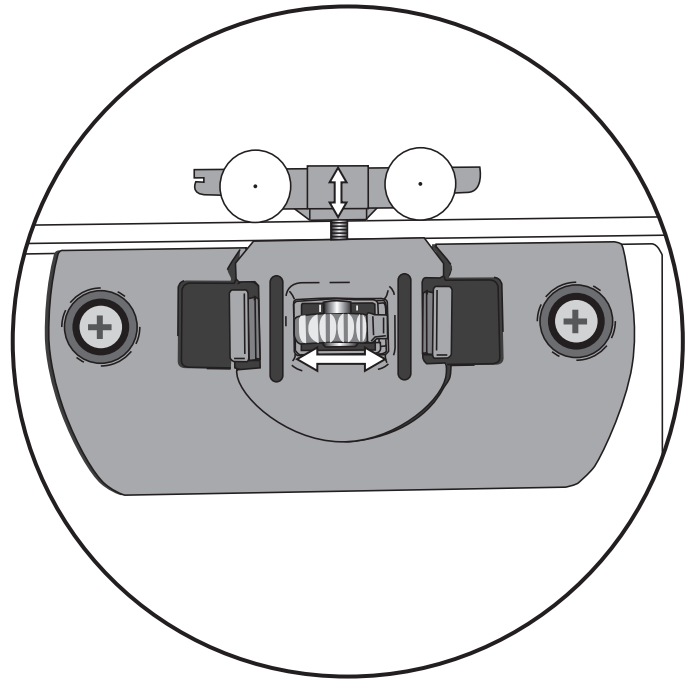
Figure 10. Door Adjustment Screws



Adjust the Glide Door Height

Use the wheel on the glide to move the door up and down.

Figure 11. Adjust the Glide Door



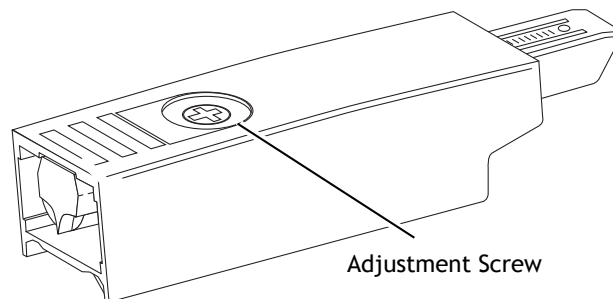
Soft Close Adjustment

The soft close mechanism can be adjusted. Turn the screw counterclockwise to further dampen the door closing.



NOTE The soft close device can be over extended causing it to stick. Turn the adjustment screw clockwise until the mechanism releases.

Figure 12. Soft Close Adjustment



Connect a USB Cable to a Computer



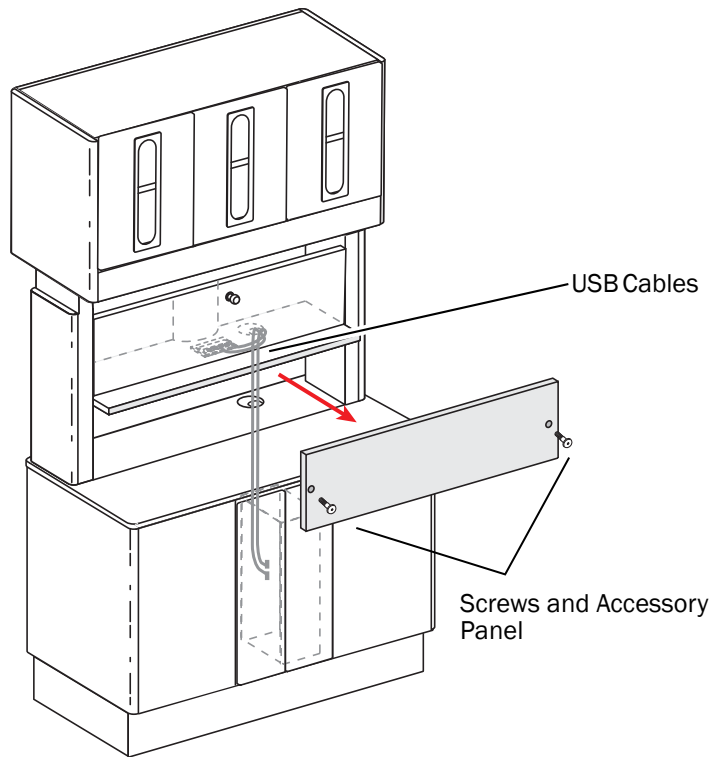
NOTE Some versions of this cabinet may not be fitted with USB functionality.

1. Use a 5/32" hex key to remove the two decorative screws and the accessory panel.
2. Locate the ends of the USB cables distributed from the USB panel.
3. Remove the ties from the USB cables.
4. Connect the USB cables to a computer or to a powered booster device.



NOTE The USB panel is not powered. 9' is the maximum cable length that can be plugged into the panel without a powered booster.

Figure 13. Accessory Panel and Cables Locations



Regulatory Information

Regulatory information mandated by agency requirements is provided in the *Regulatory Information, Specifications, and Warranty* document (p/n 86.0221.00), which is available in the Document Library at www.a-dec.com.

POZIDRIV® is a registered trademark of the Phillips Screw Company.

A-dec Headquarters

2601 Crestview Drive
Newberg, OR 97132 USA
Tel: 1.800.547.1883 Within USA/Canada
Tel: 1.503.538.7478 Outside USA/Canada
Fax: 1.503.538.0276
www.a-dec.com / www.a-dec.biz

A-dec Inc. makes no warranty of any kind with regard to the content in this document including, but not limited to, the implied warranties of merchantability and fitness for a particular purpose.



86.0137.00 Rev K
Copyright 2014 A-dec Inc.
All rights reserved.
IGunbw11