



# Cascade® 1040 Chair

## INSTALLATION GUIDE



### WARNING

The chair is very heavy. A-dec recommends that two people install the chair.

### TOOLS NEEDED:

- Hex key set
- Adjustable wrench
- Phillips screwdriver
- Standard screwdriver
- Diagonal cutters
- 9/16" open-end wrench

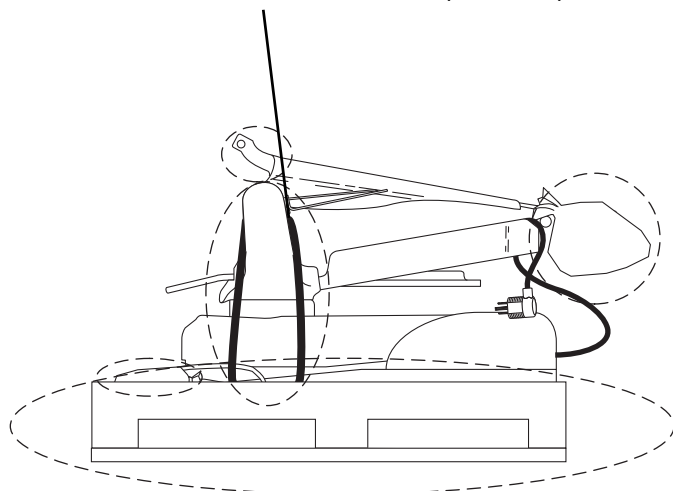
### WARNING

Do not operate the chair without first removing the strap.

1

A. Remove the packaging and move the chair into position.

B. Remove all straps, tie wraps, and

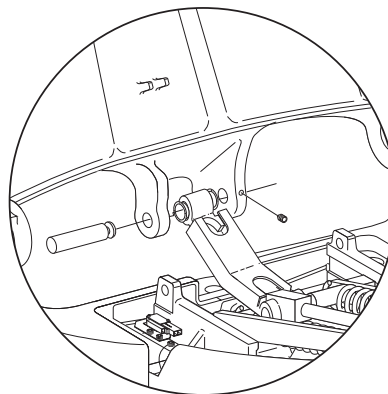


2

A. Remove the drive link pin from the back.

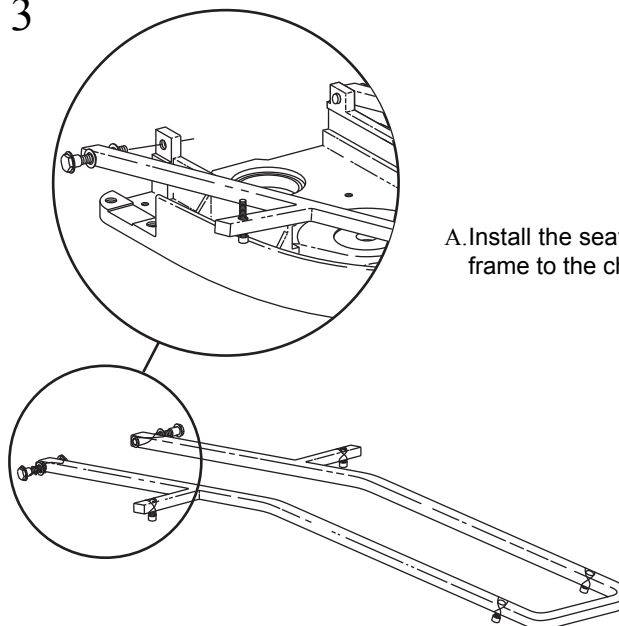
B. Insert the drive link pin through the back, bushings, and the drive link.

C. Tighten the set-screw in the drive link pin.



3

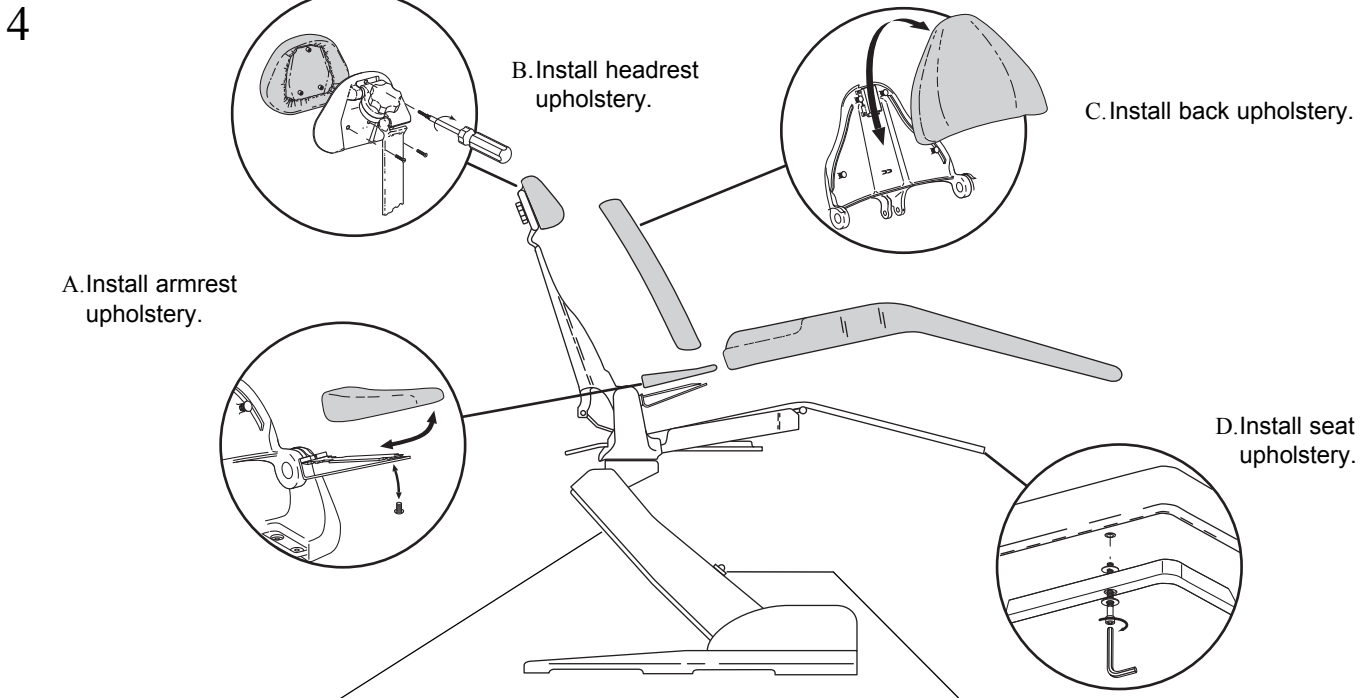
A. Install the seat frame to the chair.



**NOTE** Note: If a handpiece delivery system or light will be installed on the chair, do so before installing the upholstery.

**To raise the chair:**

Plug the chair into its power source. Tap the chair stop plate three times within five seconds, and hold on the third tap. The chair base will continue to rise as long as the stop plate is held in. This function is automatically disabled after five minutes but is re-enabled upon each power up.



**Test the Chair Stop Plate:**

Activate the position 1 button on the foot-switch or touch pad. Activate the position 0 button, then press on the stop plate. The chair will automatically stop. As long as pressure is applied to the stop plate, the chair base will not go down any further.

**Check the Chair Status LED:**

ON: Normal operation.

SLOW BLINK: The cuspidor or stop plate limit switches have been activated. Remove any obstructing object.

5 **Test the operation of the chair:** Refer to the *Cascade 1040 Chair Owner's Guide*, A-dec Publication No. 85.2605.00, for adjustments and additional information.

© 2007 A-dec® Inc. All Rights Reserved.  
 2601 Crestview Drive, Newberg, OR 97132, USA - Printed in USA.  
 A-dec Inc. makes no warranty of any kind with regard to the content in this document, including but not limited to, the implied warranties of merchantability and fitness for a particular purpose.