



Performer® III Dental Chair

INSTALLATION GUIDE



Recommended Tools

- 9/16" or adjustable wrench
- Diagonal cutters
- Hex key set
- Phillips screwdriver

Installation Instructions

Position the Chair

1. Remove all items and cardboard from around the chair.



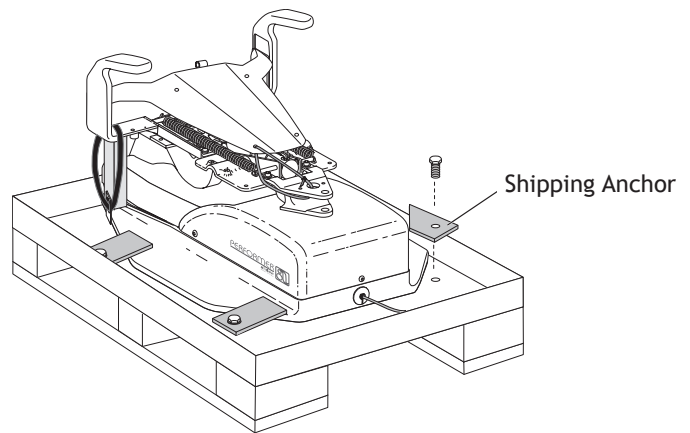
NOTE Leave the shipping strap in place until the chair is in position.



NOTE Watch for kits and manuals included for the doctor and set these aside.

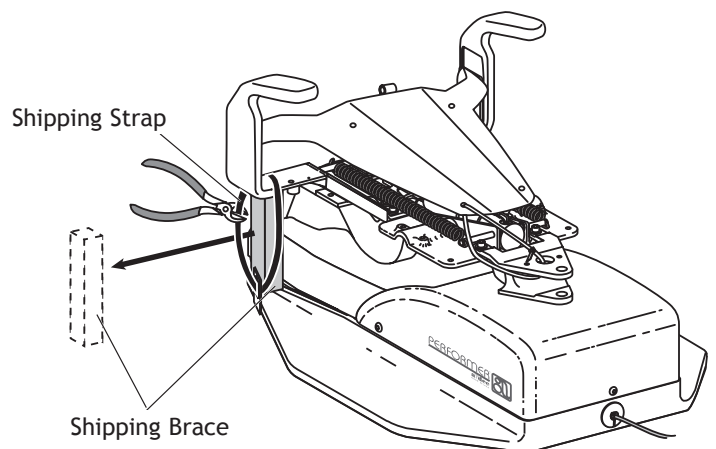
2. Remove the bolts and boards used to anchor the chair base for shipping. See Figure 1.

Figure 1. Remove the Shipping Anchors



3. Grasp an armrest and the front of the chair casting.
4. Lift and place the chair in position in the treatment room.
5. Remove the shipping strap and brace. See Figure 2.

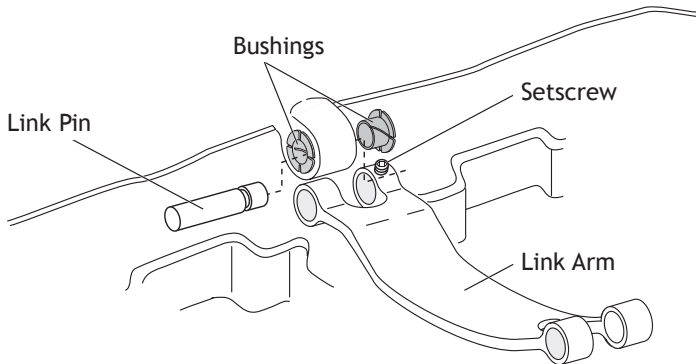
Figure 2. Remove the Shipping Strap and Brace



Connect the Chair Back

1. Clip the zip tie that secures the chair back to the chair casting.
2. Lift the back and align the backrest bracket with the link arm. See Figure 3.

Figure 3. Insert the Backrest



3. Insert the bushings into the backrest bracket.
4. Insert the link pin through the link arm and bracket.
5. Align the link pin groove with the setscrew.
6. Tighten the setscrew to secure the link pin in the link arm.

Raise the Chair

1. Plug in the chair.



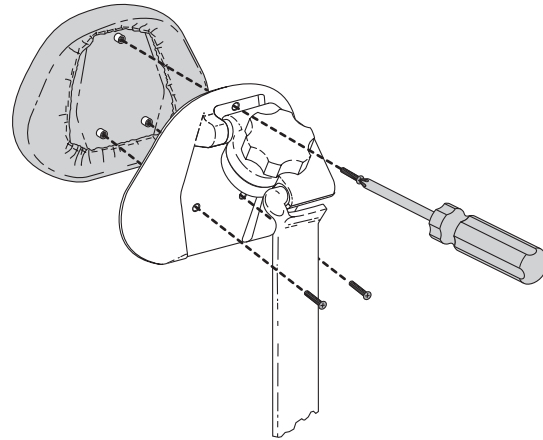
NOTE Confirm that the shipping strap and brace have been removed.

2. Tap the chair stop plate three times and hold on the third tap until the chair base and back are fully raised.. This function is automatically disabled after five minutes, but it is re-enabled upon each power-up.

Install the Headrest Upholstery

1. Position the headrest as shown. See Figure 4.

Figure 4. Install the Headrest Upholstery

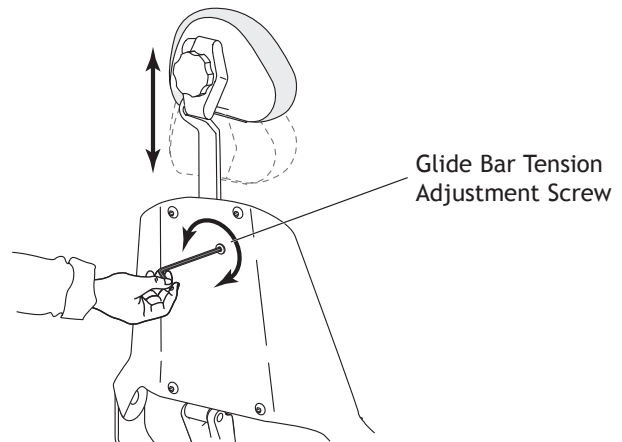


2. Use three Phillips head screws to secure the upholstery to the headrest.

Insert the Headrest and Adjust the Glide Bar

1. Insert the headrest and glide bar into the chair back. See Figure 5.

Figure 5. Insert the Headrest and Adjust the Glide Bar



2. Turn the glide bar tension adjustment clockwise to increase tension.

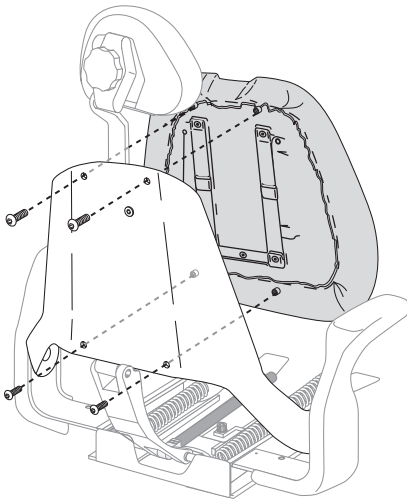
Install the Back Upholstery



NOTE The Performer III dental chair has two back upholstery choices: narrow and contoured. The installation procedure is the same for both.

1. Align the back upholstery with the chair back.
See Figure 6.

Figure 6. Install the Back Upholstery



2. Secure the upholstery using the four button-head screws.

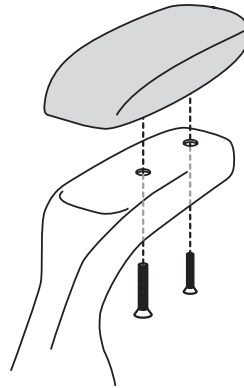
Install the Arm Caps



NOTE To install optional arm slings, refer to the installation instructions that came with the slings.

1. Align the arm caps with the holes in the armrests.
See Figure 7.

Figure 7. Install the Arm Caps

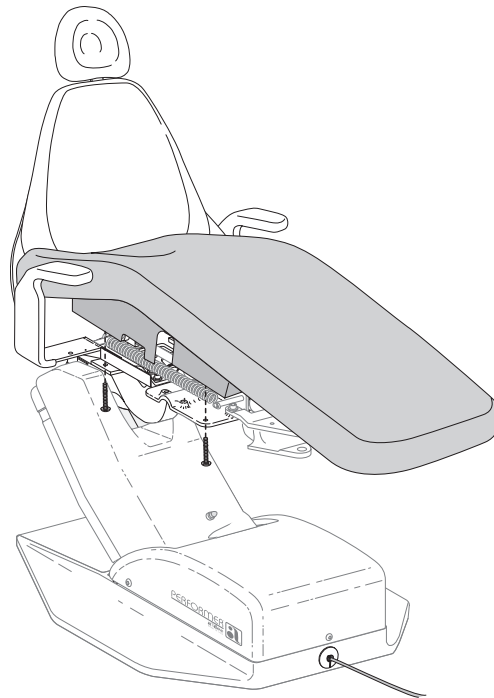


2. Use two standard screws to tightly secure the arm caps so they do not move.

Install the Seat Upholstery

1. Align the threaded inserts in the toeboard upholstery with the four mounting holes in the chair casting.
See Figure 8.

Figure 8. Install the Seat Upholstery



2. Secure the upholstery using four screws.

Test the Installation

Check the Chair LED Indicator

The LED light on the chair lift arm cover indicates the status of the chair. See Figure 9.

On: Normal operation

Slow Blink: the cuspidor or lift arm stop plate has been activated. Remove any obstructions.

Figure 9. Check the Chair LED Indicator

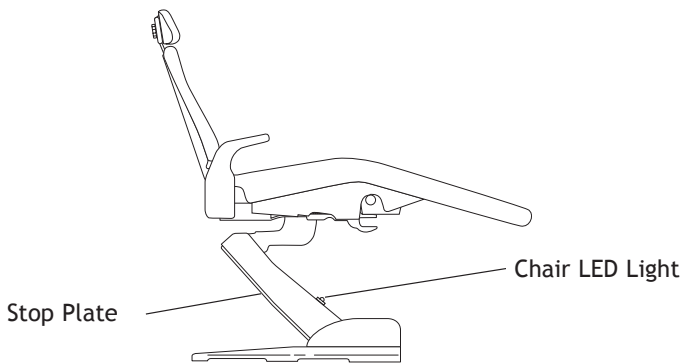
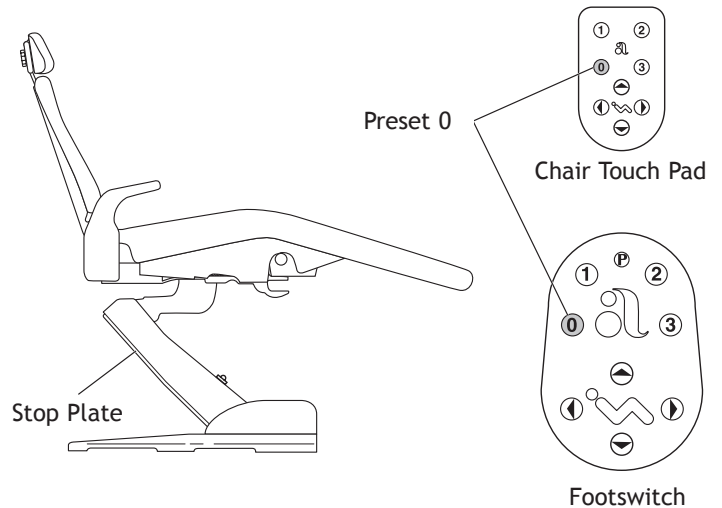


Figure 10. Test the Chair Stop Plate



2. As the chair moves down, press on the stop plate. The chair should stop and stay stopped as long as the stop plate is pressed.

If the stop plate does not function, refer to the Performer section of your *A-dec Service Guide* (p/n 85.0812.00) for further instructions.

Test the Chair Stop Plate

1. With the chair full base up, press preset 0 on the footswitch or touchpad. See Figure 10.



NOTE If the footswitch has not been installed, install it now using the instructions included with the footswitch.

Regulatory Information

Regulatory information is provided with A-dec equipment as mandated by agency requirements. This information is delivered in the equipment's *Instructions for Use* or the separate *Regulatory Information and Specifications* document. If you need this information, please go to the Document Library at www.a-dec.com.

A-dec Headquarters

2601 Crestview Drive
Newberg, OR 97132 USA
Tel: 1.800.547.1883 Within USA/Canada
Tel: 1.503.538.7478 Outside USA/Canada
Fax: 1.503.538.0276
www.a-dec.com

A-dec Inc. makes no warranty of any kind with regard to the content in this document including, but not limited to, the implied warranties of merchantability and fitness for a particular purpose.

