



Preference Collection® 5580.69 and 5580.96 Treatment Console

INSTALLATION GUIDE



WARNING Failure to install the 5580 as described in this installation guide may cause the unit to collapse, resulting in serious injury to personnel.

Recommended Tools

- Level
- Hex key set
- Drill with 3/32" wood drill bit
- 7/16" combination wrench
- Adjustable wrench
- Phillips head screwdriver
- #2 Pozidriv® screwdriver

Before You Begin

- Check with appropriate building and code authorities about local installation requirements.
- Check that manual air and water shutoff valves are installed where needed.



CAUTION Purge any debris from the air and water lines. Failure to do this causes leaks.



5580.69 Treatment Console



5580.96 Treatment Console

Before You Begin (cont.)

- The utilities must be installed according to prevailing building codes and the *Preference Collection 5580 Treatment Console Template* (p/n 86.0146.00). For pre-installation instructions, refer to the *A-dec Dental Furniture Pre-Installation Guide* (p/n 86.0142.00) found in the Document Library on www.a-dec.com.
- Remove the drawers, doors, and false bottoms from the console, making sure to note the locations for reassembly. The doors are fitted with quick-release hinges. See Figure 1.



NOTE If the console is not too heavy or large to move, go to “Install the Base” on page 3.

Installation Steps

Disassemble the Console

1. If an upper storage unit is installed, use a 5/32" hex key and remove the six screws to disassemble it from the midsection. See Figure 2.



NOTE In the following section, a 5580.96 console is shown for illustration purposes. The disassembly instructions also apply to the 5580.69 console. Depending on the configuration and weight of the console, not all of the following steps may be necessary. Disassemble the console to the point where it can be moved easily.

2. If a midsection is installed, use a 5/32" hex key and remove the four screws to disassemble it from the countertop. See Figure 3. Pull the conduit and quad box through the countertop cutout. Leave them attached to the center midsection.

Figure 1. Quick-Release Hinges (two versions shown)

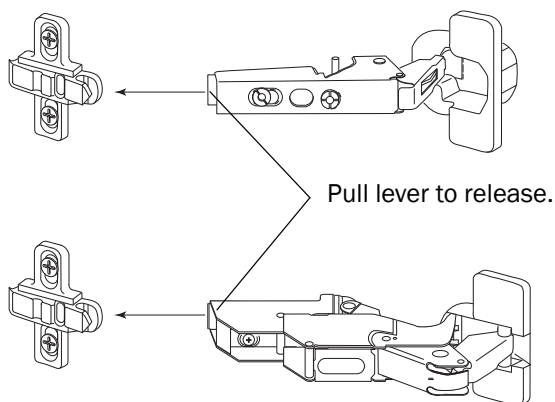


Figure 2. Remove the Upper Storage Unit

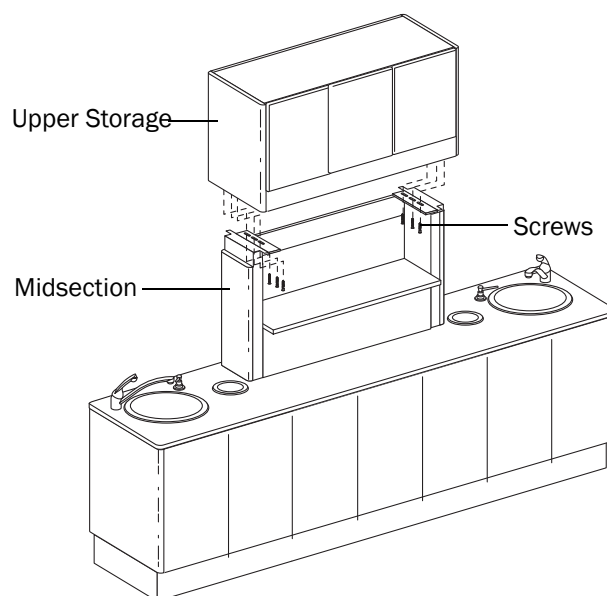
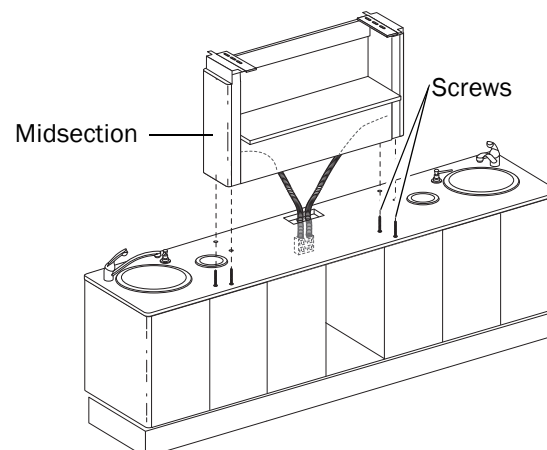


Figure 3. Remove the Midsection



- To remove the countertop, remove the Phillips head screws securing it to the base. See Figure 4.



NOTE The number of screws may vary.

- If the console has two adjoining subbases, remove the Phillips head barrel bolts that hold the console together above the subbase seam. See Figure 5.

Install the Base

- If the subbases are separated, move each section to the mounting location. Re-install the Phillips head barrel bolts removed in Step 4 from "Disassemble the Console." See Figure 5.
- Position the base in the mounting location.
- If the countertop has been removed, re-install it. See Figure 4.
- Reassemble the midsection with the parts removed in Step 2 of "Disassemble the Console" on page 2.
- Assemble the electrical connections. Refer to the *A-dec Dental Furniture Pre-Installation Guide* (p/n 86.0142.00) found in the Document Library on www.a-dec.com.

Level the Treatment Console

- Remove the false bottoms from each module to access the subbase.
- Use a 7/16" combination wrench to adjust each leveling foot located in the subbase. See Figure 6.
- Check the level of the treatment console. Repeat step 2 as necessary.

Figure 4. Remove the Countertop

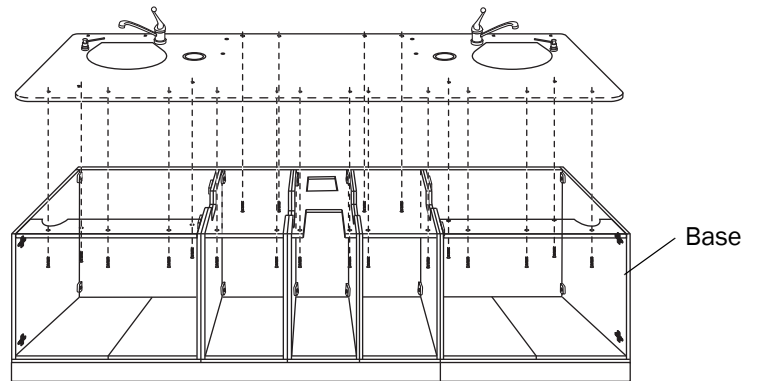


Figure 5. Separate the Adjoining Subbases

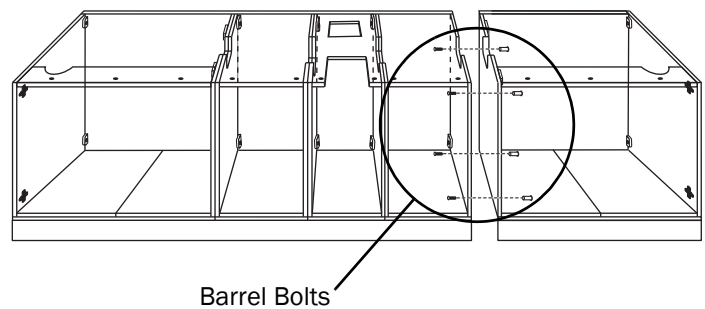
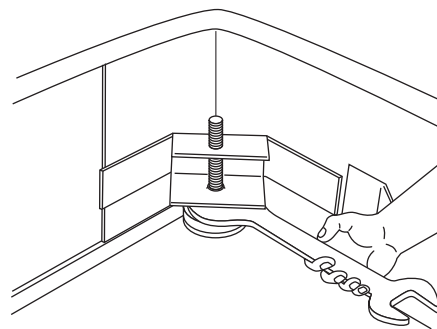


Figure 6. Level the Treatment Console



Prepare to Anchor the Subbase

1. Place the four anchor clips onto the subbase lip as close as possible to the corners of the module. See Figure 7.
2. Mark the floor where the anchor clip will be bolted. See Figure 8. Mark the bolt location as close as possible to the subbase. Remove the anchor clip.

Anchor the Subbase for Concrete Floors

1. At the locations marked, drill 1/2" diameter holes a minimum of 3-1/2" (89 mm) deep. Drive the bolts into the holes. See Figure 9.
2. Re-install the anchor clips over the subbase lip. See Figure 9.
3. Loosely install a hex nut and washer over an anchor clip onto each bolt.
4. To bolt down the console, position shims under the subbase beneath the area of the anchor clip as necessary. See Figure 9. Tighten each bolt firmly. If the shims protrude beyond the subbase, trim the excess.

Anchor the Subbase for Non-Concrete Floors

1. Drill 9/32" diameter holes a minimum of 1-1/2" (38 mm) deep. See Figure 10. If the flooring material is not at least 1-1/2" (38 mm) thick, consult your licensed contractor about adding reinforcement to the flooring.
2. Re-install the anchor clips over the subbase lip. See Figure 10.
3. Loosely install a bolt with a washer through each anchor clip into each drilled hole.
4. To bolt down the console, position shims under the subbase beneath the area of the anchor clip as necessary. See Figure 10. Tighten each bolt firmly. If the shims protrude beyond the subbase, trim the excess.

Figure 7. Anchor Clip Positions

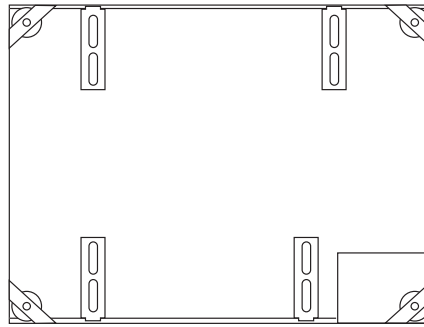


Figure 8. Mark the Drilling Location

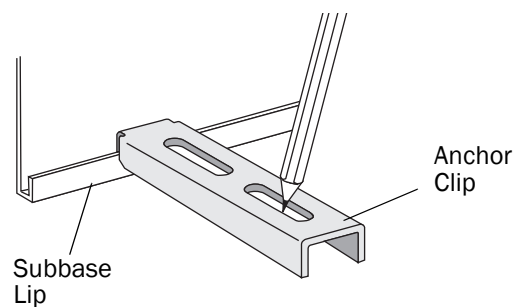


Figure 9. Install the Bolt, Nut, Washer, and Anchor Clip (Concrete)

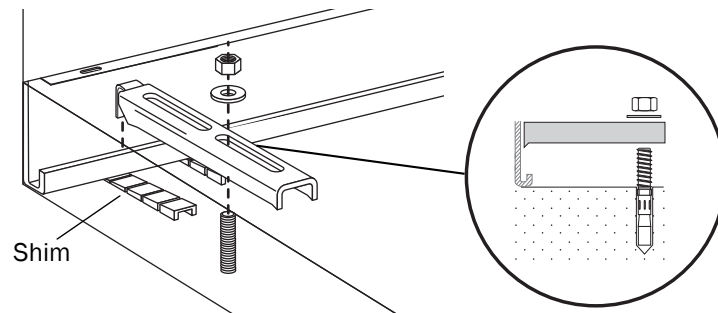
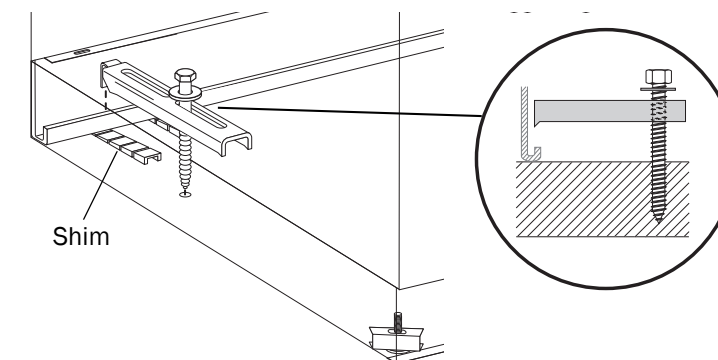


Figure 10. Install the Bolt, Nut, Washer, and Anchor Clip (Non-Concrete)



Install the Upper Storage Unit

Follow the instructions for the type of upper storage unit that you have.

Install a Standard Upper Storage Unit

1. Remove the rear master panel from the midsection. See Figure 11.
2. Place the standard upper storage unit onto the midsection.
3. Use the six screws provided in kit p/n 56.0577.00 to secure the standard upper storage unit. See Figure 11.
4. Re-install the rear master panel onto the midsection.

Next Step See "Install the Upper Dispensing Unit" on page 8.

Install an Extended Upper Storage Unit

1. Remove the rear master panel from the midsection. See Figure 12.



NOTE For non-pass-through uppers, use a screwdriver to remove the upper back by releasing the five cams. See Figure 13.

2. Use the six screws provided in kit p/n 56.0577.00 to install the extended upper storage unit. See Figure 12.

Figure 11. Install a Standard Upper Storage Unit

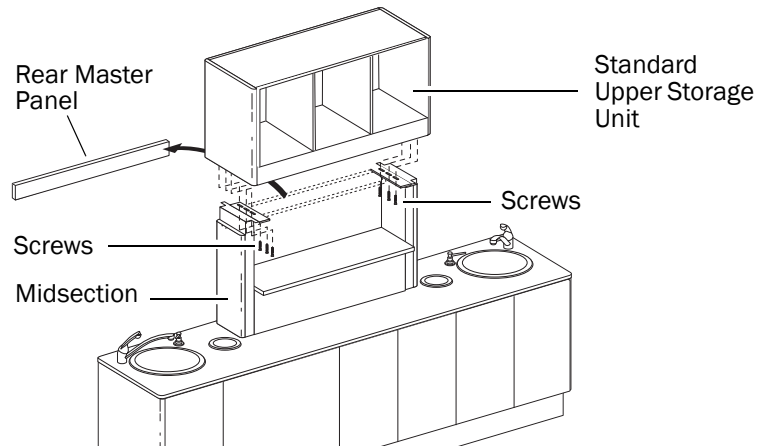


Figure 12. Install an Extended Upper Storage Unit

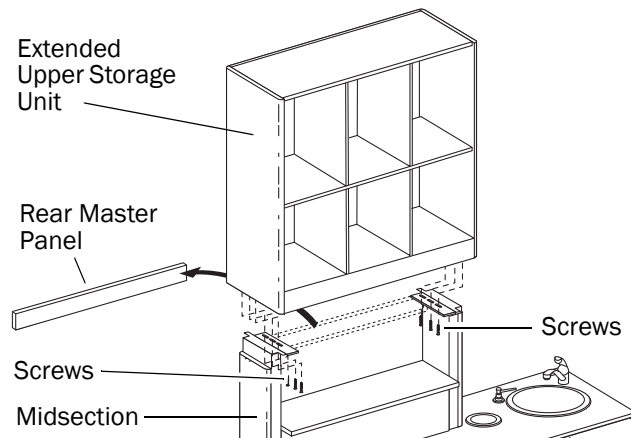
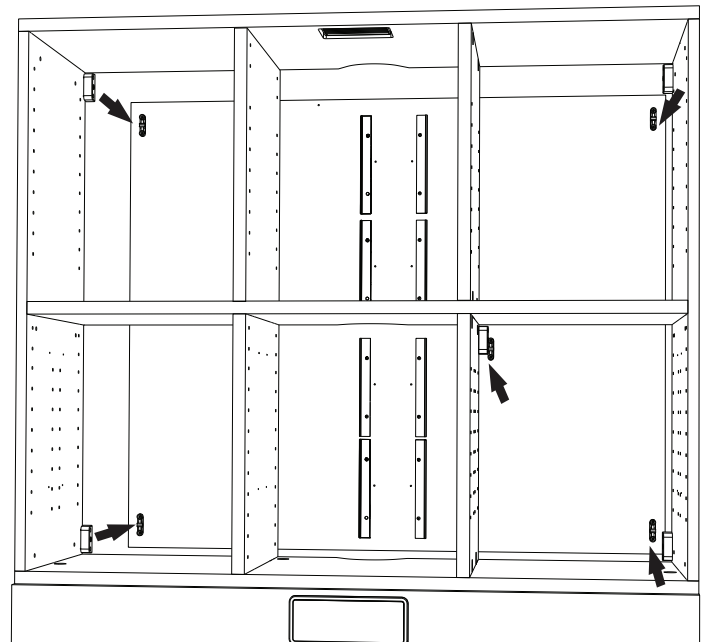


Figure 13. Remove the Back for a Non-Pass-Through Extended Upper



3. Use the twelve #10 x 1-1/4" wood screws provided in kit p/n 56.1258.00 to attach the end caps to the sides. See Figure 14.
4. Re-install the back panel.
5. Use the remaining four #6 X 1/2" wood screws provided in the kit p/n 56.1258.00 to attach the front master panels to the end caps and to the module bottom. See Figure 15.
6. Re-install the rear master panel onto the midsection. See Figure 12 on page 5.
7. Re-install the upper doors.

Next Step See "Install the Upper Dispensing Unit" on page 8.

Figure 14. Attach the End Caps and Panels

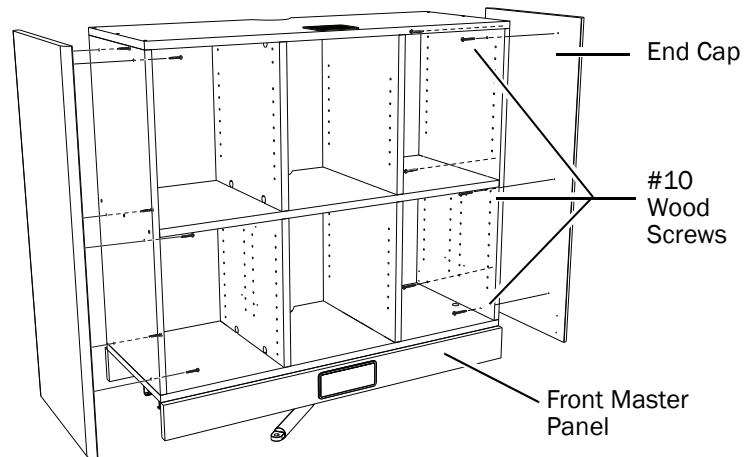
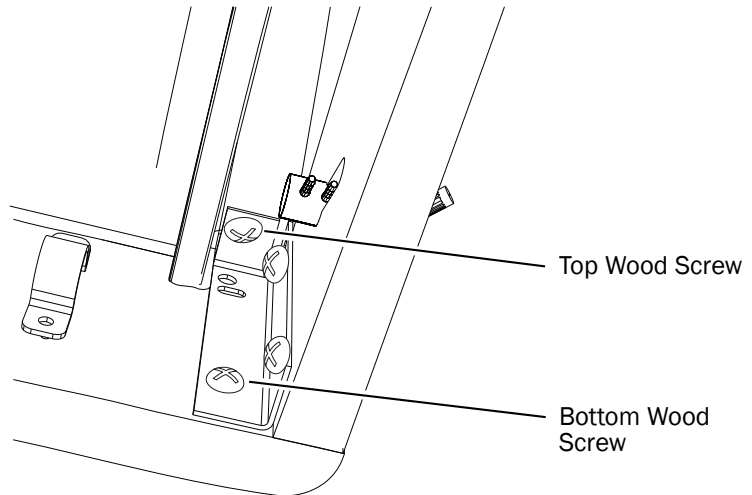


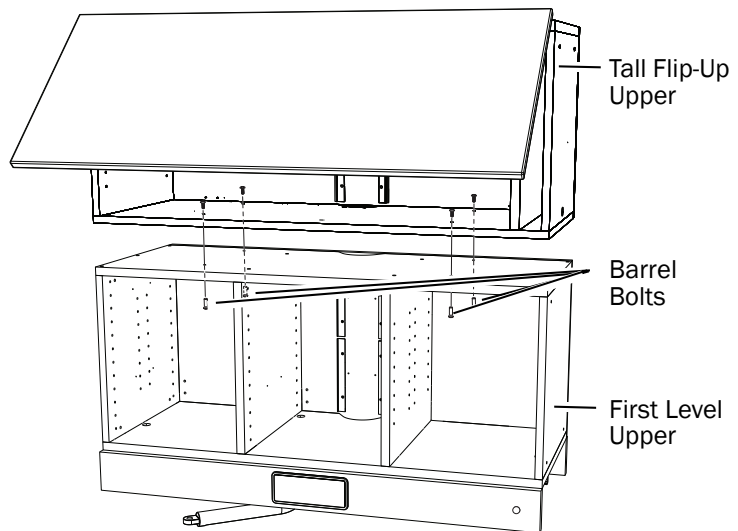
Figure 15. Install the Master Panel



Install a Tall Flip-Up Upper Storage Unit

1. Remove the rear master panel from the midsection.
2. Place the first level upper storage unit onto the midsection.
3. Use the six screws provided in kit p/n 56.0577.00 to secure the first level upper storage unit to the treatment column. See Figure 11 on page 5.
4. With its door oriented to the front, place the tall flip-up upper storage unit onto the first level upper storage unit.
5. Use the four barrel bolt sets provided in kit p/n 56.1246.00 to secure the flip-up upper to the first level upper storage unit. See Figure 16.

Figure 16. Secure a Tall Flip-Up Upper



- Route the tubing down the center of the right side panel. When the end cap is attached, the tubing will align with a clearance pocket in the end cap. See Figure 17.



NOTE Be careful to not pinch the tubing between the side of the module and the end cap.

- Use the twelve #10 X 1-1/4" wood screws provided in kit p/n 56.1258.00 to attach the end caps to the sides. See Figure 17.
- Use the remaining four #6 X 1/2" wood screws provided in kit p/n 56.1258.00 to attach the front master panels to the end caps and the module bottom. See Figure 15 on page 6.
- Use the barb locks provided in kit p/n 56.1246.00 to attach the air cylinder lines to the two open ports on the toggle valve. See Figure 18.
- Remove the hex nut and insert the toggle valve on the backside of the master panel while aligning the barbs with the slot in the cutout. See Figure 18.
- Use either the hex nut provided on the toggle valve or the decorative knurled nut provided in kit p/n 56.1246.00 to secure the valve to the master panel. See Figure 19.
- Route the yellow supply line to the subbase. Splice it into a supply air line using the supplied air fittings.



NOTE If a 1/8" (3.2 mm) air line is not available, use the extra air fittings from the kit to splice into a 1/4" (6.35 mm) air line.

- Re-install the rear master panel.
- Re-install the doors.

Figure 17. Secure the Master Panel

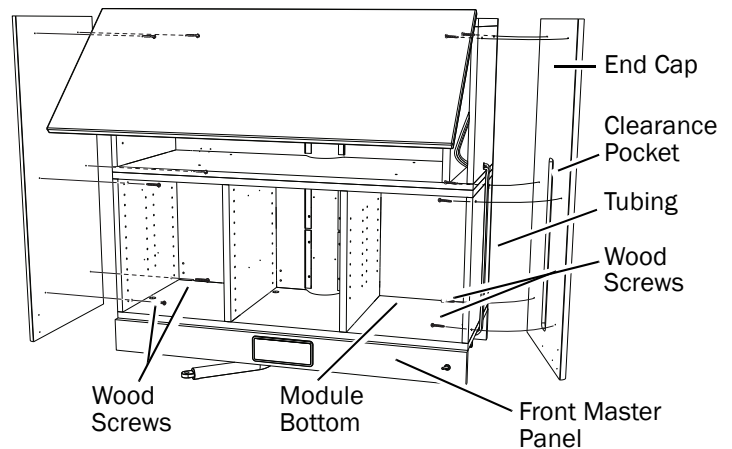


Figure 18. Install the Toggle Valve

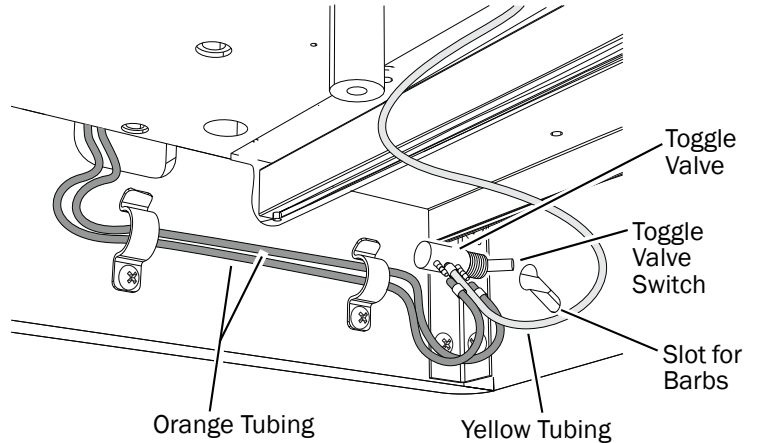
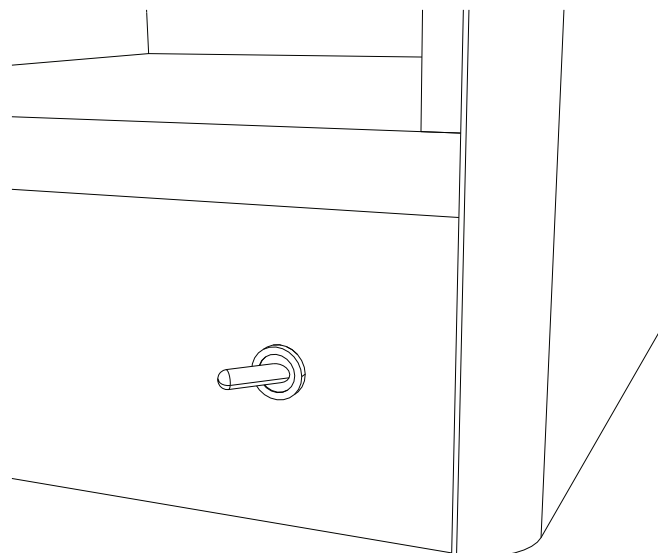


Figure 19. Secure the Toggle Valve



Install the Upper Dispensing Unit

1. If included, lift the dispensing unit and the back wall vertically as one unit. Align the unit to the pin on the counter-top and to the clips on the back wall edge. See Figure 20.
2. Use a Phillips head screwdriver to fasten the units together with two 10-32 screws. See Figure 21.
3. Using the corner bracket on the dispensing unit as a template, drill two 3/32" diameter pilot holes 1/8" (3 mm) deep into the end cap. Using two #6 Phillips head wood screws through the corner bracket, fasten the master panel to the end cap. See Figure 21.

Figure 20. Install the Upper Dispensing Unit

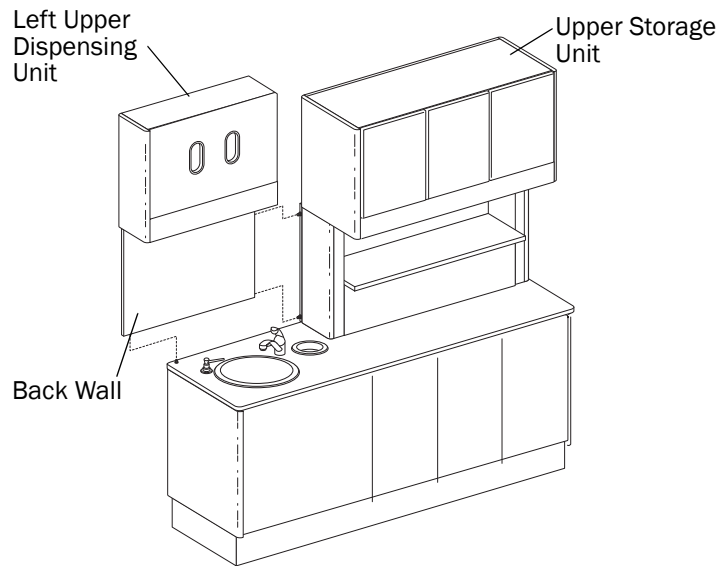
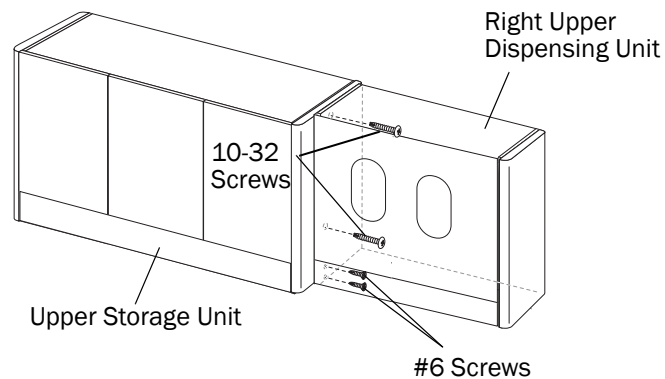


Figure 21. Fasten the Upper Dispensing Unit to the Upper Storage Unit



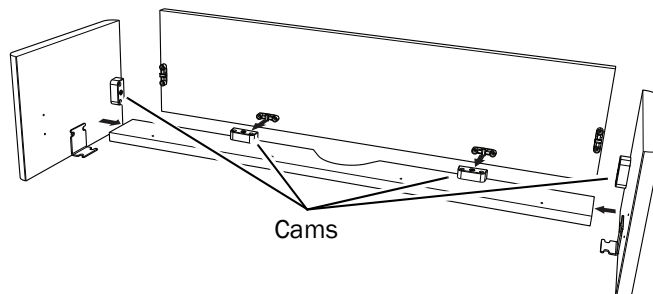
Install the Soffit

The configuration of your soffit will depend on the center upper option and on the height of the soffit. The installation procedure below applies to all configurations, but the quantity of hardware will vary.

Assemble the Center Soffit (If Present)

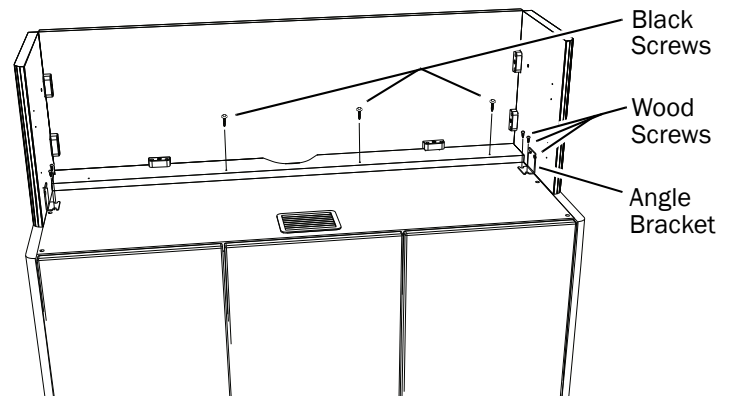
1. Connect the bottom rail to the back panel. Connect the back and bottom to the sides. Lock all pieces together by tightening the cams with a screwdriver. See Figure 22.

Figure 22. Assemble the Center Soffit



2. Carefully lift and align the soffit on top of the cabinet. The soffit should fit flush on the sides and back and be recessed in the front.
3. Use the 3/4" wood screws provided in kit p/n 56.1260.00 to secure the soffit through the angle brackets. See Figure 23.
4. Use the 1-1/4" black screws to attach the bottom rail of the soffit to the top of the upper. See Figure 23.

Figure 23. Secure the Center Soffit with Wood Screws



Assemble the Side Soffits

1. Attach the side soffits to the back by tightening the cams with a screwdriver. See Figure 24.
2. If you have a center section, use the barrel bolt in kit p/n 56.1259.00 to connect the side section to the center section. See Figure 25.

Figure 24. Assemble the Side Soffits

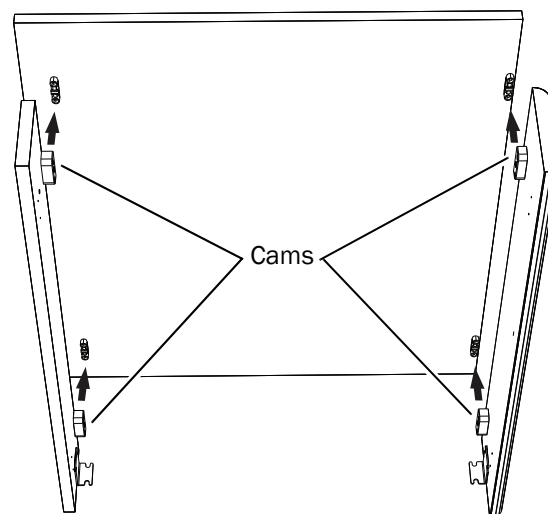
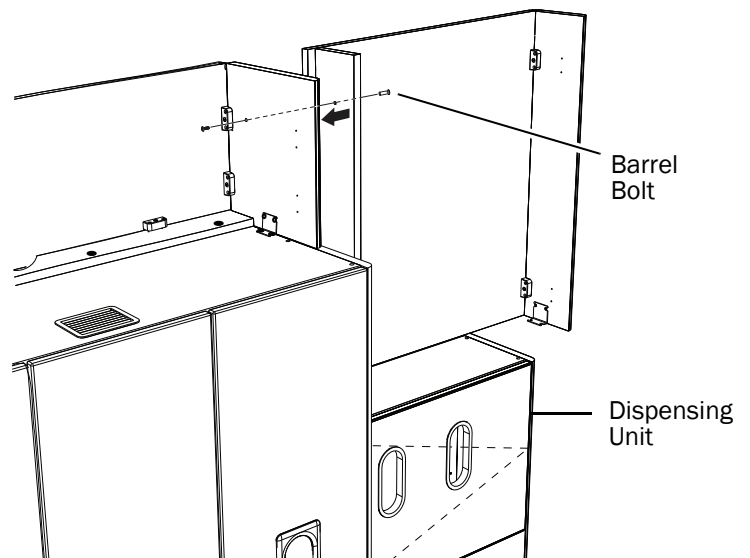
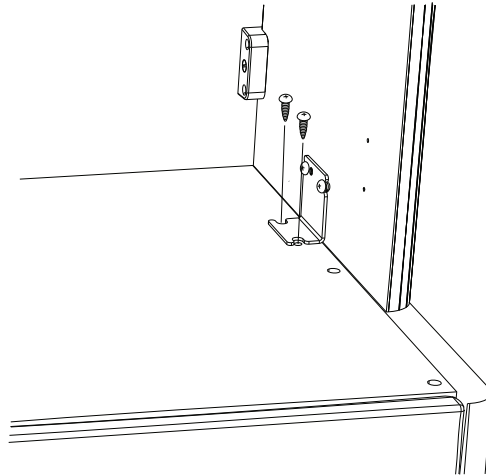


Figure 25. Secure the Side Soffit to the Center Soffit



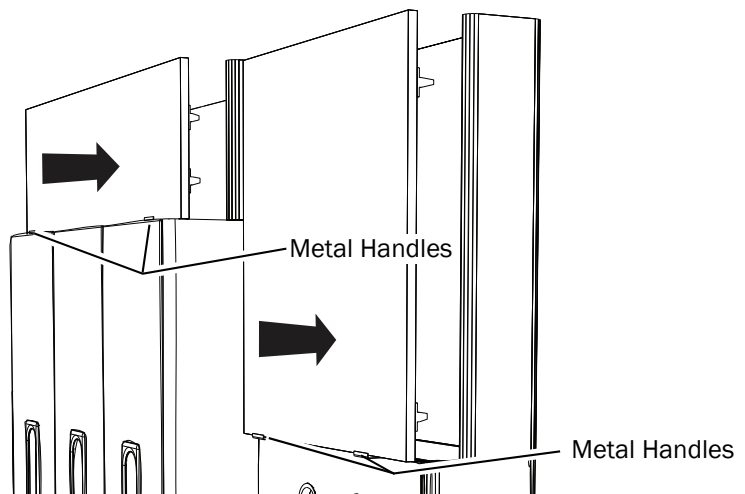
3. Align the base of the side section to the sides and back of the dispenser modules.
4. Use the screws in kit p/n 56.1259.00 to secure the side soffits to the dispenser tops through the angle brackets. See Figure 26.

Figure 26. Secure the Side Soffit to the Dispenser



5. With their handles toward the bottom, snap on the front panels.

Figure 27. Snap on the Panels



Install the Worksurface

1. Swing out the worksurface mounting arm. Use a 5/32" hex key to install the stop screw and washer to the underside of the countertop. See Figure 28.
2. Place the spacer onto the pivot stud. Install the worksurface pivot stud into the mounting arm. See Figure 29.
3. Use a 1/8" hex key to tighten the setscrew for the desired tension. See Figure 29.



NOTE If you're installing assistant's instrumentation or a delivery system, do so now. Refer to the installation instructions that came with the system.

Figure 28. Place the Stop for the Worksurface

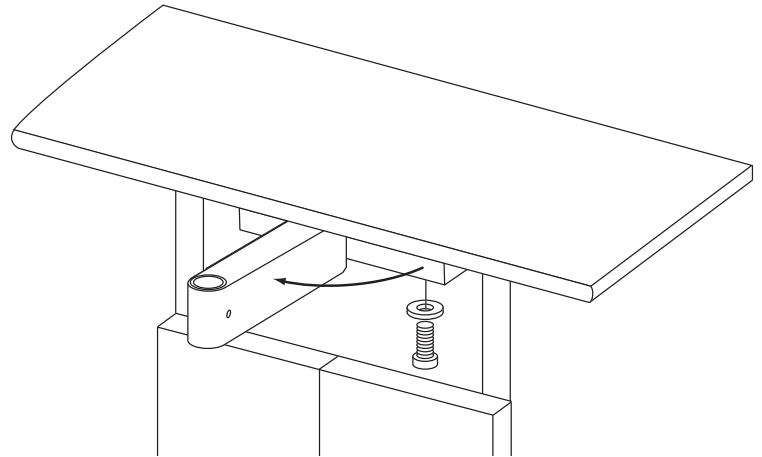
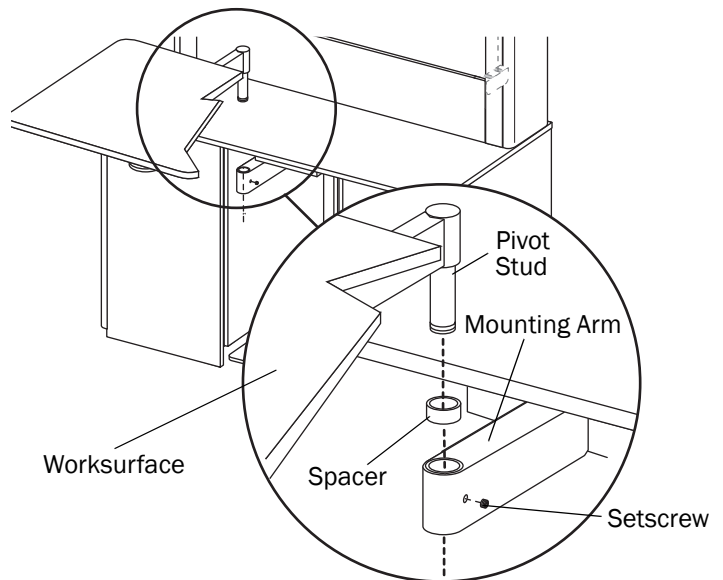


Figure 29. Install the Worksurface



Connect the Shutoff Valves

1. Purge the air and water manual shutoff valves of debris.
2. Remove and discard the nuts from the manual shutoff valves. Discard the brass compression sleeves. Install a filter into both the gray tubings and connect to the shutoff valves. Firmly tighten each nut on the end of the faucet supply lines. See Figure 30.
3. Cut both gray tubings 6" (15 cm) from the manual shutoff valves.
4. Remove the nuts from each of the air-actuated valves. Discard the brass compression sleeves, if present. Install the plastic compression sleeves.
5. Slide the nut and new plastic compression sleeve onto the newly cut gray tubing. Be sure the tapered end of the compression sleeve is pointed towards the end of the tubing.
6. Install the two air-actuated valves.



NOTE The air-actuated valves must be installed in the direction shown in Figure 31.

Figure 30. Install the Tubing to Shutoff Valve

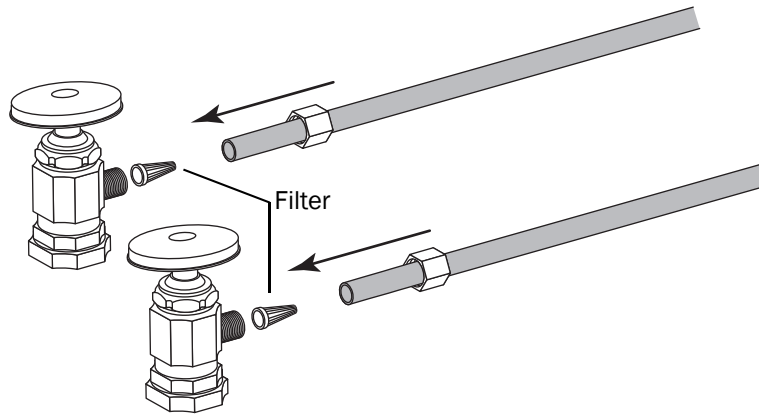
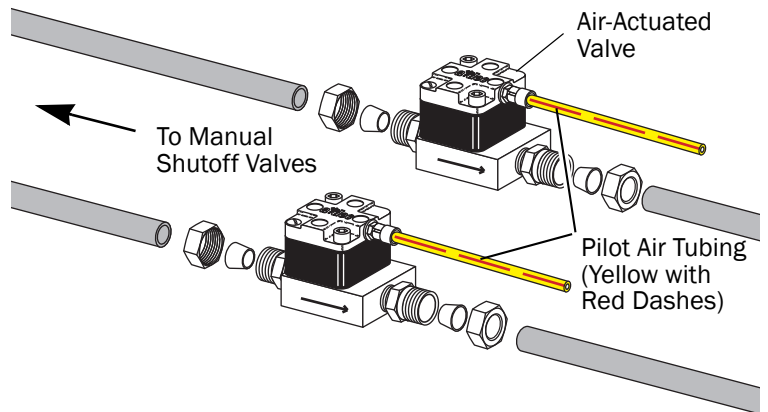


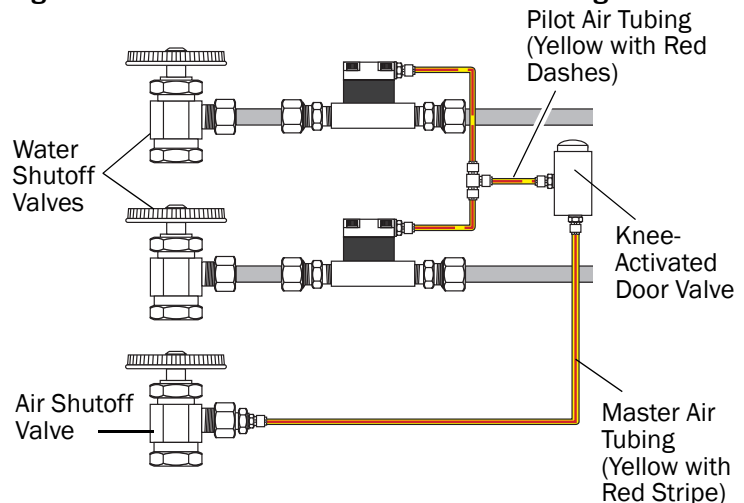
Figure 31. Install the Air-Actuated Shutoff Valves



Complete the Plumbing Connections

1. Connect the pilot air tubing (yellow with red dashes, 1/8" (3 mm) OD) from the knee-activated door valve under the countertop to the tee in the pilot air tubing coming from the two water shutoff valves. See Figure 32.
2. Connect the master air tubing (yellow with red stripe, 1/8" (3 mm) OD) to the air shutoff valve. See Figure 32.
3. Connect the wash station drain to the office drain in accordance with prevailing local plumbing codes.

Figure 32. Connect the Pilot and Master Air Tubing



Re-install the Doors and Drawers

Re-install the doors and drawers. See Figure 33.



NOTE Doors and drawers are individually adjusted for proper positioning when manufactured. You must return them to their original position or the fit and function may be compromised.



NOTE Some bottom drawer knobs are installed backwards so they are not damaged during shipping. Remove these knobs and re-install them in the correct orientation.

Adjustments

Level the Upper Cabinets

If you are installing a 5580.69 console, you should check the level of the upper cabinets if:

- The console has an extended upper storage unit or a tall flip-up upper storage unit; *and*
 - The console has a side-opening module. See Figure 34.
1. Use a 5/32" hex key to loosen the front column bolt by 1/4" (6 mm). See Figure 35.

Figure 33. Install the Doors and Drawers

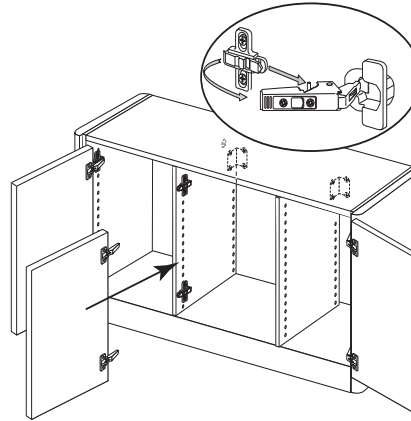


Figure 34. Leveling Screw Location

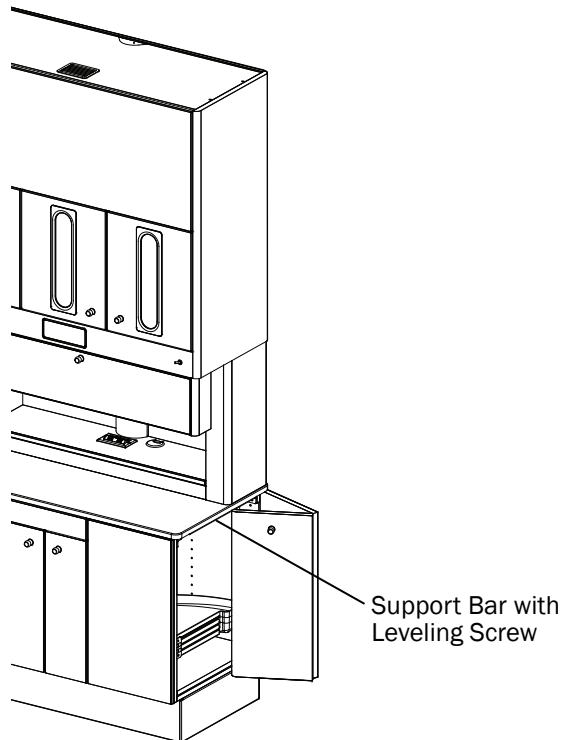
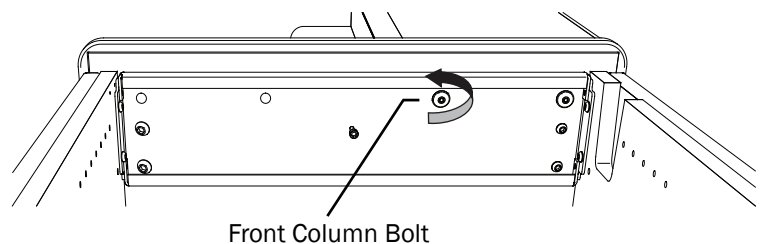


Figure 35. Loosen the Front Column Bolt



2. Use a 5/32" hex key to adjust the leveling screw until the upper cabinets are level. See Figure 36.
3. Gently tighten the front column bolt.



NOTE Over tightening the column bolt may cause the upper cabinets to lean forward.

Adjust the Drawer Push-Latches

1. Remove the drawer. Remove the retaining pin from the barrel of the push-latch. See Figure 37.
2. Adjust the barrel by turning it counterclockwise (out) or clockwise (in). Test the latch. The front of the drawer should be flush with the console. Repeat the adjustment if necessary.
3. Install the retaining pin into the barrel. Re-install the drawer.

Adjust the Drawer Fronts

1. To move the drawer front up, turn the screw in the hinge clamp clockwise. See Figure 38.
2. To move the drawer front down, open the hinge from the bottom with a screwdriver, turn the screw counterclockwise, and push the drawer front down. See Figure 39.
3. Close the clamp and turn the screw clockwise until the drawer front is in the desired position.

Figure 36. Adjust the Leveling Screw

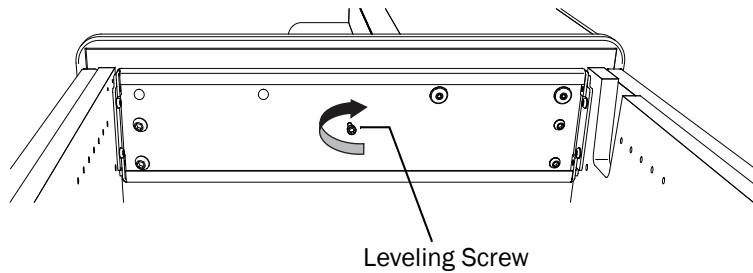


Figure 37. Adjust the Drawer Push-Latches

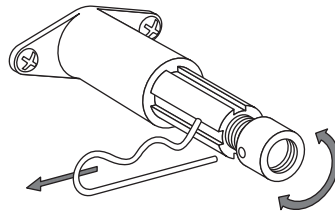


Figure 38. Adjust the Drawer Front Up

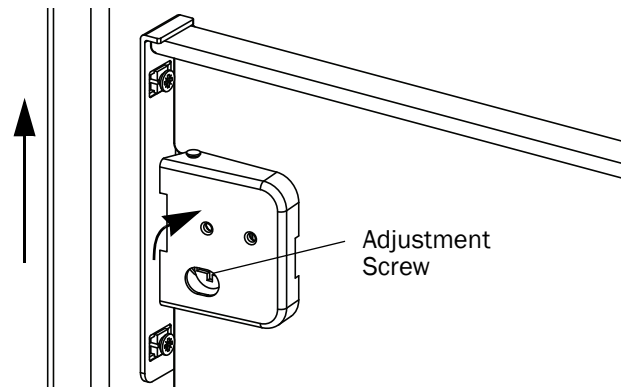
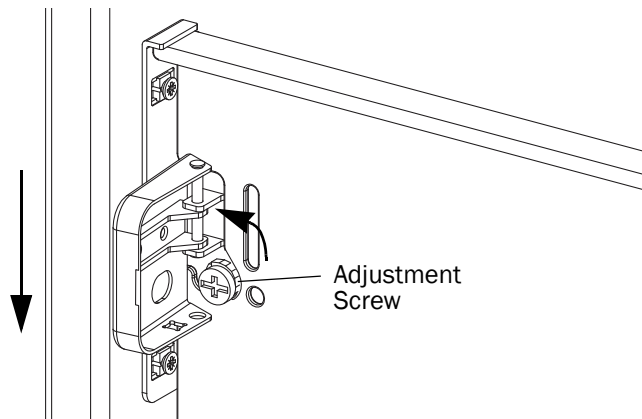


Figure 39. Adjust the Drawer Front Down



Adjust the Door Alignment

The console doors are adjustable for depth, height, and side-to-side alignment.

See Figure 40.



CAUTION To avoid stripping the screws, use a #2 Pozidriv screwdriver when making adjustments to the door hinges.

Depth Adjustment

Turn the depth adjustment screw on both the upper and lower door hinges until the door is in the desired position. See Figure 40.

Height Adjustment

Loosen the height adjustment screw one-quarter turn on both the upper and lower hinge mounting plate. Move the door up or down to the desired position. Tighten the screws. See Figure 40.

Side-to-Side Adjustment

Turn the side-to-side adjustment screw on both the upper and lower door hinges until the door is in the desired position. The gap between the doors should be $5/32$ " (4 mm). See Figure 40.

Adjust the Soft Close Mechanism

The soft close mechanism can be adjusted. Turn the screw counterclockwise to further dampen the door closing. See Figure 41.



NOTE The soft close device can be over extended causing it to stick. Turn the adjustment screw clockwise until the mechanism releases.

Figure 40. Door Adjustment Screws

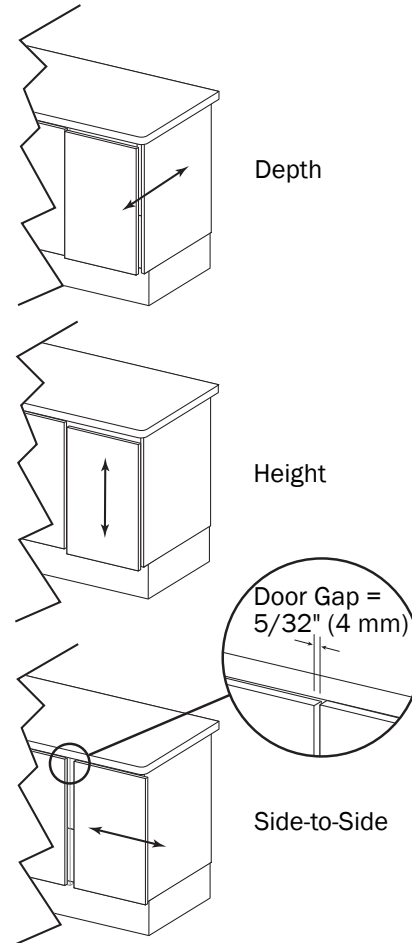
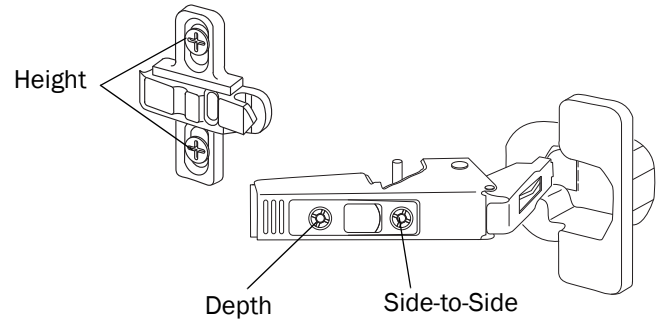
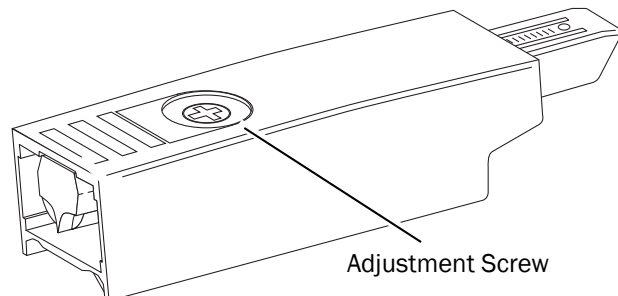


Figure 41. Soft Close Mechanism



Connect a USB Cable to a Computer



NOTE Some versions of this cabinet may not be fitted with USB functionality.

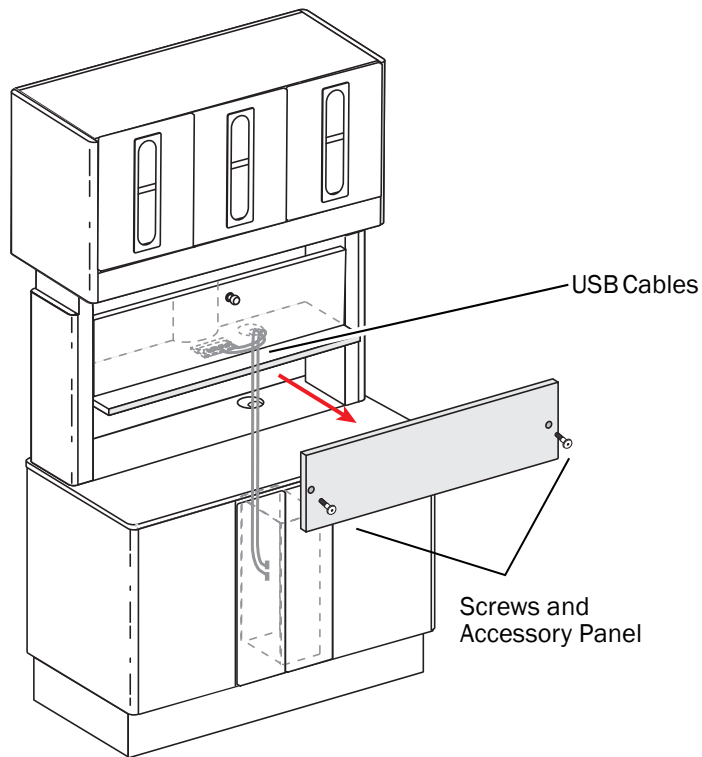
1. Use a 5/32" hex key to remove the two decorative screws and the accessory panel. See Figure 42.
2. Locate the ends of the USB cables distributed from the USB panel.
3. Remove the cable ties from the USB cables.
4. Connect the USB cables to a computer or to a powered booster device.



NOTE The USB panel is not powered. 9' (2.7 m) is the maximum cable length that can be plugged into the panel without a powered booster.

5. Replace the accessory panel.

Figure 42. Accessory Panel and Cables Locations



Regulatory Information

Regulatory information mandated by agency requirements is provided in the *Regulatory Information, Specifications, and Warranty* document (p/n 86.0221.00), which is available in the Document Library at www.a-dec.com.

A-dec Headquarters

2601 Crestview Drive
Newberg, OR 97132 USA
Tel: 1.800.547.1883 Within USA/Canada
Tel: 1.503.538.7478 Outside USA/Canada
Fax: 1.503.538.0276
www.a-dec.com / www.a-dec.biz

A-dec Inc. makes no warranty of any kind with regard to the content in this document including, but not limited to, the implied warranties of merchantability and fitness for a particular purpose.

