

A-dec® 573L Dental Light Post Mount

Product Models and Versions Covered in this Document

Models	Versions	Description
573L	A	Dental Light



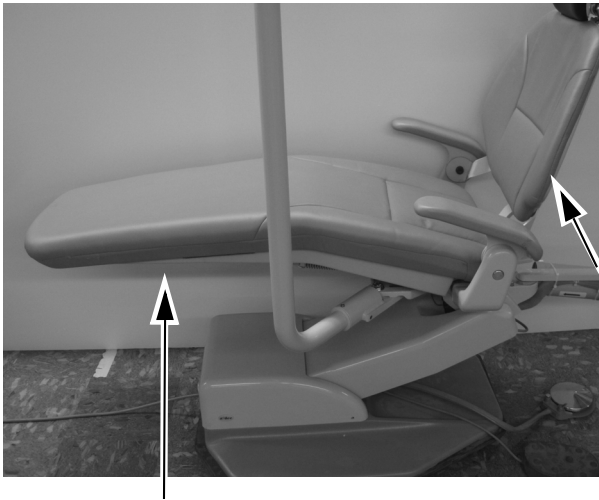
NOTE You do not need the power cord that came in the post and adaptor kit. Use the power cord that came in the Post Mount Dental Light package.

Recommended Tools

- Lubriplate™
- Diagonal cutters

Install the Dental Light

1. Raise the chair back and base all the way.



WARNING Failure to turn off or disconnect the power before you begin this procedure can lead to product damage and result in serious injury or death.

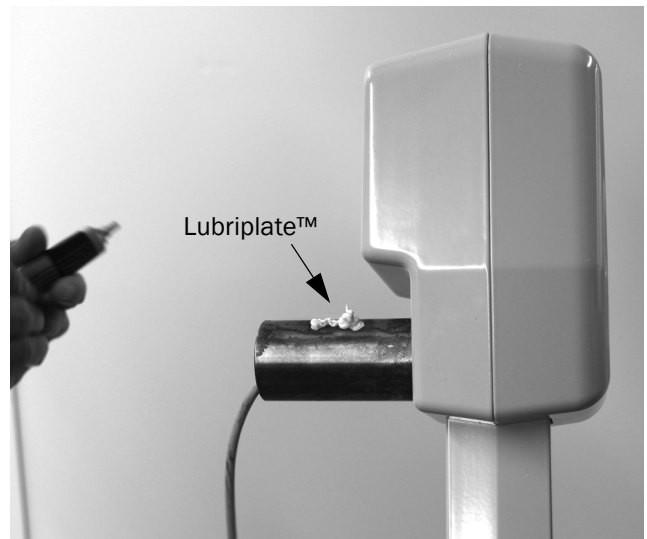


ATTENTION Circuit boards are sensitive to static electricity. Electrostatic Discharge (ESD) precautions are required when touching a circuit board or making connections to or from the circuit board. Circuit boards should be installed only by an electrician or qualified service person.



WARNING Shock hazard. When you remove or replace the covers, take care not to damage any wiring or tubing. Verify that the covers are secure after you replace them.

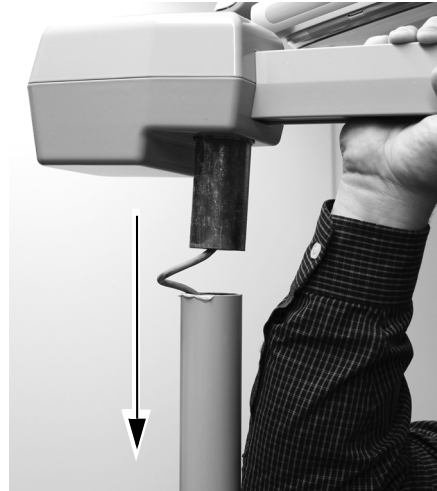
2. Turn off the power to the system before you begin the installation.
3. If necessary, install the post and adaptor for the chair. See the installation guide that came with the post and adaptor.
4. Remove the dental light post mount from the box and apply Lubriplate™ to the hub.



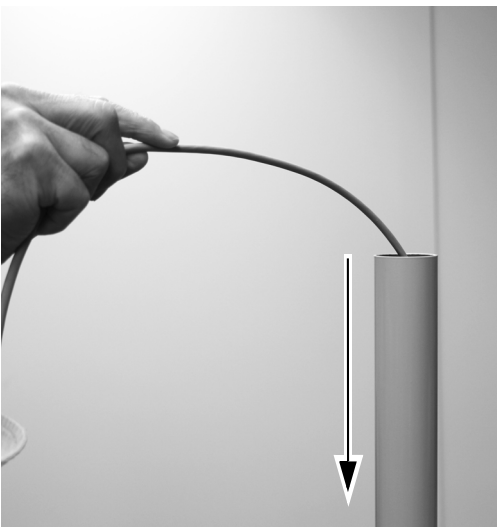
5. Cut the cable tie from the dental light cable.



7. Install the dental light post mount into the post while routing the dental light cable through it.



6. Route the dental light cable through the light post and down to the chair area.



8. Route the dental light cable to the lift arm and then to a location near the chair circuit board in the floor box or the pump housing. The small LED light power supply will also be located in this area.

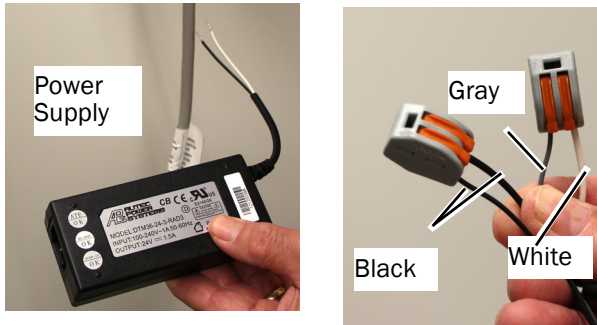


Dental Light Cable from the Lift Arm to the Floor Box or Pump Housing

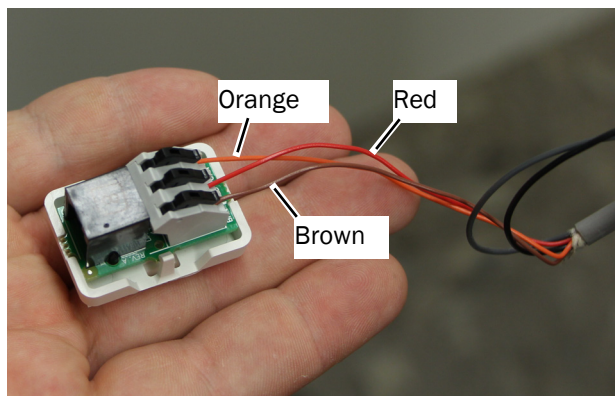


Connect the Electrical Wires and Data Line

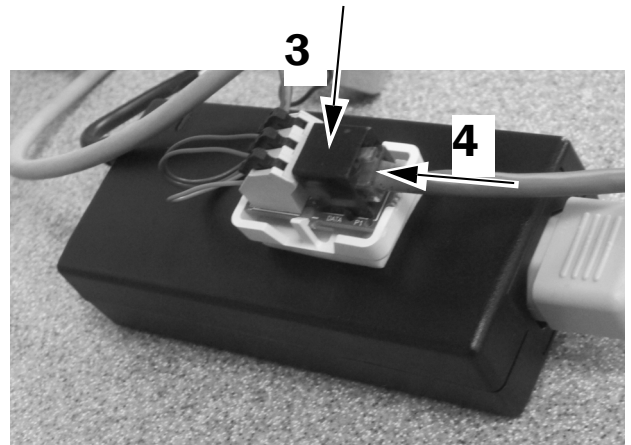
1. Connect the dental light cable wires to the power supply wires:
 - Use a wire connector to connect the gray dental light cable wire to the white power supply wire.
 - Use a wire connector to connect the black dental light cable wire to the black power supply wire.



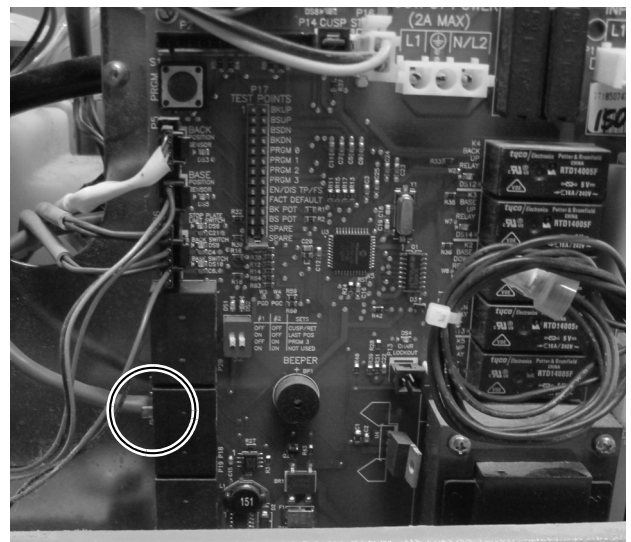
2. Connect the red, orange and brown dental light cable wires to their positions on the adaptor board as labeled: brown to BRN, red to RED, and orange to ORN.



3. Attach the adaptor board to the power supply.
4. If DCS functionality will be used:
 - Connect the data line to the adaptor board.



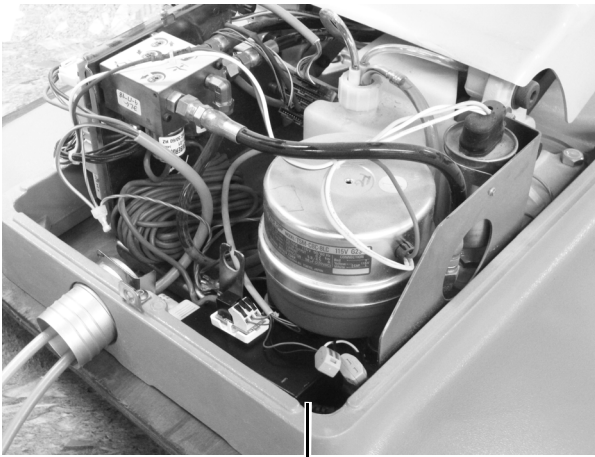
- Connect the other end of the data line to the data port on the chair circuit board.



5. Place the power supply in the floor box or pump housing.



Position in Floor Box



Position in Front of the Pump in the Pump Housing

6. Plug in the power supply.

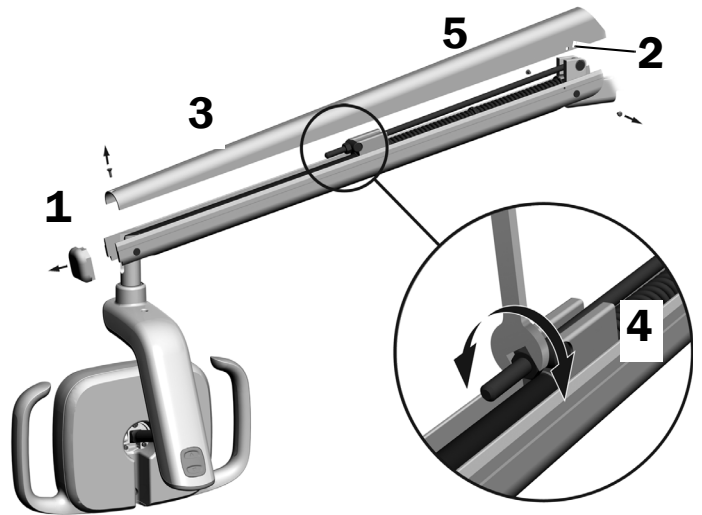
Prepare and Adjust the Light

Adjust the Dental Light Flexarm Counterbalance

Recommended Tools

- Phillips head screwdriver
- 5/64" hex key
- 1/2" combination wrench

1. Remove the end cap.
2. Remove the three screws that secure the cover.
3. Remove the cover.
4. Adjust the nut on the end of the spring.
5. If the dental light drifts up, turn the nut counterclockwise.
6. If the dental light drifts down, turn the nut clockwise.
7. Set the cover back onto the flexarm (but do not reattach it yet). Check for drift.
8. Repeat steps 4 through 6 until drift is eliminated.



NOTE An optional travel stop limit kit (p/n 90.1044.00) can be installed to limit the upward and downward motion of the flexarm.

Adjust the Rotation Tension

Recommended Tool

- 7/64" hex key

Adjust the Vertical Tension



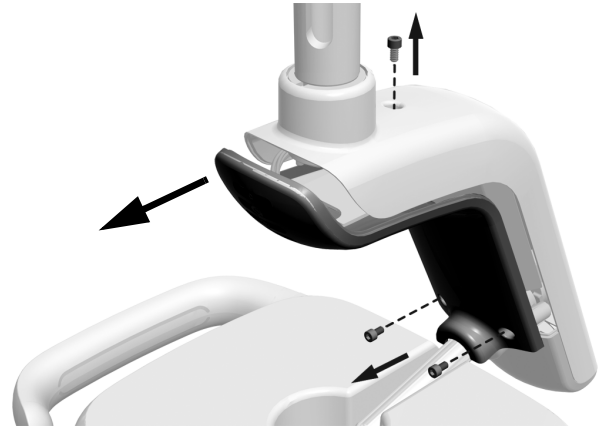
To adjust the tension, turn the screw.
Clockwise increases the tension.

Remove the Display Housing

See the section for your system's configuration.

Lights With a Hole in the Top of the Driver Housing

1. Fully loosen the screw on the top of the driver housing.
2. Remove the two screws from the bottom of the display housing and pull the display housing down from the driver housing.



Next Step See "Adjust the Horizontal and Diagonal Tension" on page 6.

Lights Without a Hole in the Top of the Driver Housing

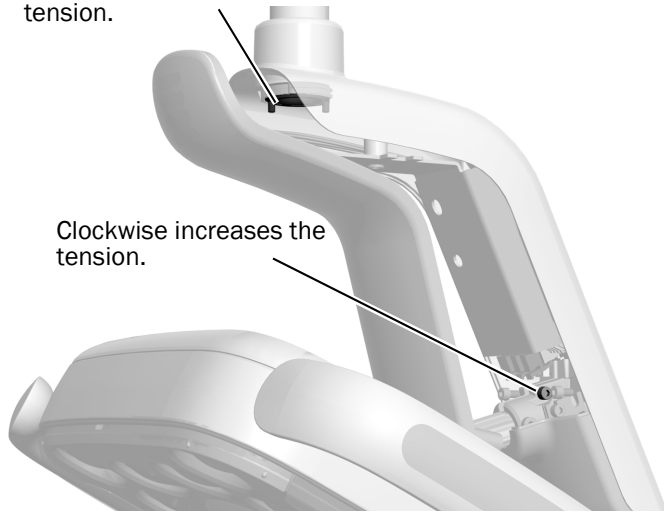
1. Remove the two screws securing the display housing. Slide the cover along the driver housing to free the post from the snap connector and pull the display housing down to remove it.



Adjust the Horizontal and Diagonal Tension

1. To adjust horizontal tension, rotate the friction adjustment.
2. To adjust diagonal tension, turn the setscrew. Clockwise increases the tension.

Clockwise increases the tension.

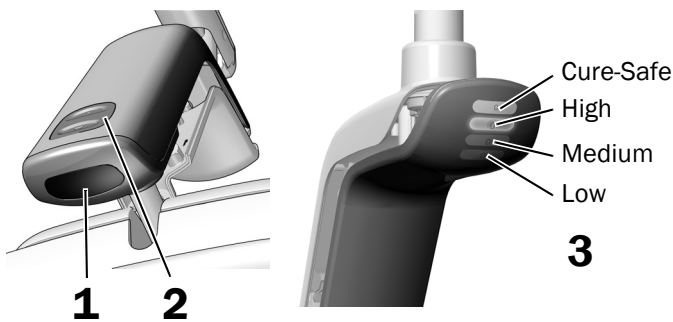


Clockwise increases the tension.

Test the Light

Test the Light at the Light Head

1. Move your hand within 3" (76 mm) of the touchless on/off sensor to turn on the light.
2. Use the Mode Button to test the light in each mode.
3. For each mode, verify that the correct light on the driver housing cover is illuminated.
4. If it doesn't work properly, check the wire connections.




Test the Light Using the Touchpad





NOTE Touchpad symbols and icons are proprietary to A-dec, Inc.

If the system supports DCS, use the touchpad to test the light functions.

1. Turn on the power to the system.
2. To verify the light turns on and off, and toggles between intensity modes, repeatedly press and release .



NOTE When the light is in the composite (or cure-safe) mode, the light indicator on the touchpad flashes.

3. To disable the auto on/off feature, press and hold  and  at the same time for three seconds. One beep indicates that the auto on/off function is off. To re-enable, repeat this step. Three beeps indicate that the auto on/off feature is activated.



A-dec 300 Deluxe Touchpad



Deluxe Plus Touchpad

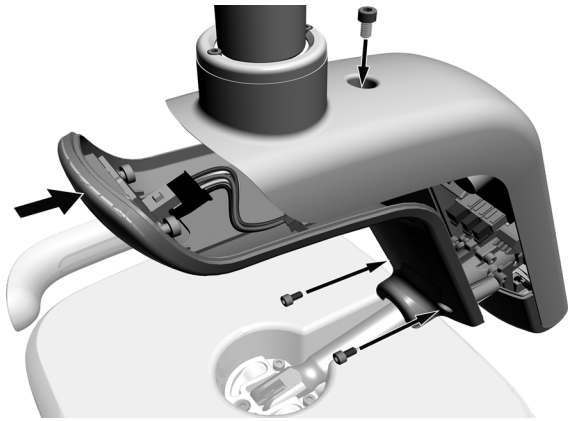
Install the Display Housing



WARNING Shock hazard. When you remove or replace the covers, take care not to damage any wiring or tubing. Verify that the covers are secure after you replace them.

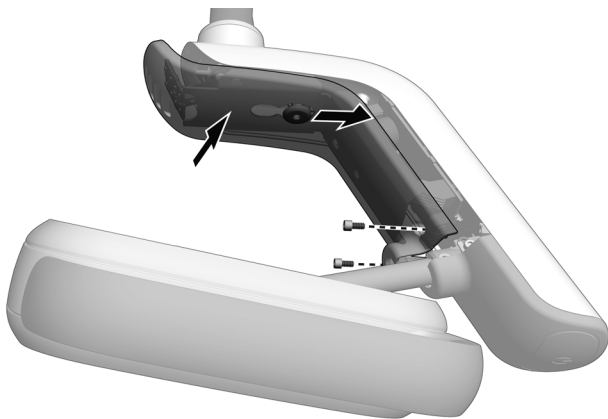
Lights With a Hole in the Top of the Driver Housing

1. Tighten the screw on the top of the driver housing.
2. Use the two screws to secure the bottom of the display housing.



Lights Without a Hole in the Top of the Driver Housing

1. Slide the display housing over the snap connector and use the two screws to secure the housing.



Regulatory Information and Warranty

For required regulatory information and the A-dec warranty, see the *Regulatory Information, Specifications, and Warranty* document (p/n 86.0221.00) available in the Resource Center at www.a-dec.com.



For quick access to this document online, scan, tap, or click this QR code, which points to a-dec.com/regulatory-guide.

Lubriplate is a trademark of Lubriplate Lubricants Co.



A-dec Headquarters

2601 Crestview Drive
Newberg, OR 97132 USA
Tel: 1.800.547.1883 Within USA/CAN
Tel: +1.503.538.7478 Outside USA/CAN
www.a-dec.com

A-dec, Inc. makes no warranty of any kind with regard to the content in this document including, but not limited to, the implied warranties of merchantability and fitness for a particular purpose.



86.0489.00 Rev E
Date of Issue 2022-11-30
Copyright 2022 A-dec, Inc.
All rights reserved.
IGporeven18