



A-dec Inspire® 594 Sterilization Center

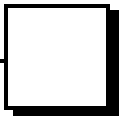
INSTALLATION GUIDE



A-dec Inspire 594 Sterilization Center

Product Models and Versions Covered in This Document

| Models | Versions | Description |
|--------|----------|------------------|
| 594 | A | Dental Furniture |



Before You Begin



READ THIS! The procedures in this guide are presented in the order that they are to be performed, regardless of the cabinet's configuration. Complete the steps for all of the modules before advancing to the next section. For example, you would place and secure all of the lowers and towers of a galley before starting to level anything.

Complete the following before beginning the installation:

- Clear the room of all debris and thoroughly clean the floors.
- Verify that manual air and water shut-offs are installed.
- Purge any debris from air and water lines.
- Check with local building and code authorities about installation requirements specific to your location.

Recommended Tools

- Phillips head screwdriver
- Hex key set
- Dollies (at least 2 per cabinet)
- Four-foot level
- Torpedo level
- Standard screwdriver
- Awl
- Power screwdriver
- Drill
- 3/8" (10 inches long), 1/2", 5/16", and 3/16" drill bits
- Measuring tape
- 1/2" (12.7 mm) dowel
- Two #2 Pozidriv® screwdrivers
- 5/16", 7/16", 9/16", and 3/4" 6-point sockets and ratchet, with 6" locking extension

Important Information



NOTE Information that is critical to a successful installation is shaded like this note throughout the guide.



ATTENTION Circuit boards are sensitive to static electricity. Electrostatic Discharge (ESD) precautions are required when touching a circuit board or making connections to or from the circuit board. Circuit boards should be installed only by an electrician or qualified service person.



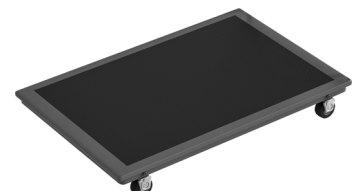
WARNING Failure to install the A-dec 594 as described in this installation guide may cause the cabinet to collapse, resulting in serious injury to personnel.

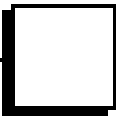


WARNING Two people should install this cabinet to avoid personal injury.



NOTE A-dec recommends using only solid-top dollies when moving A-dec Inspire cabinets.

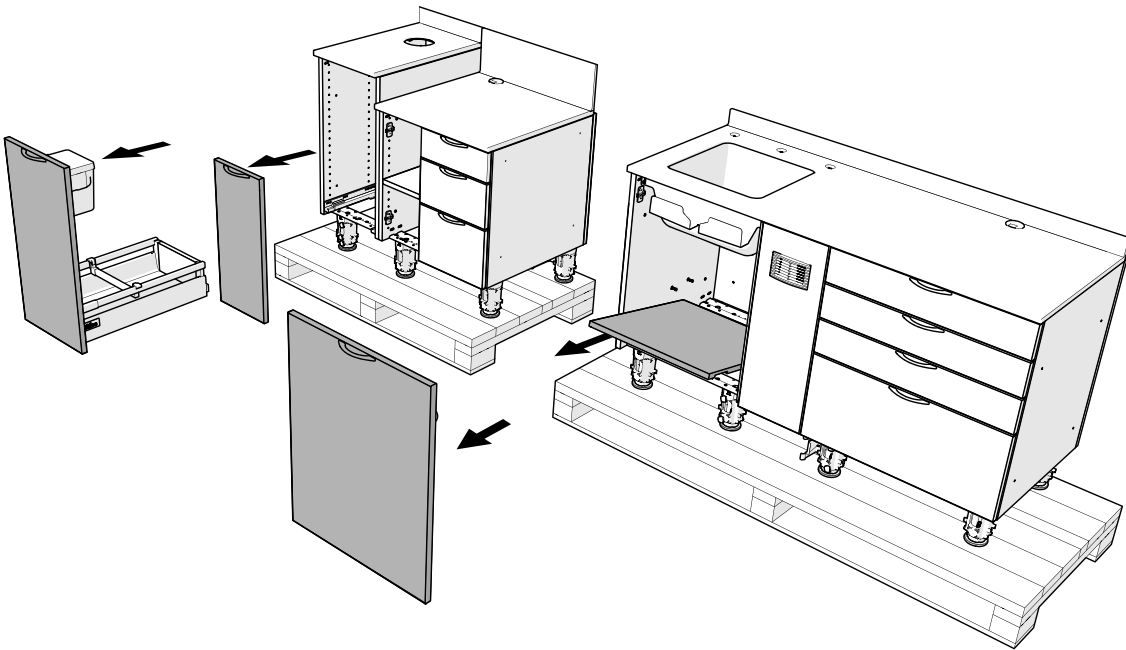




Installation Sequence

- A** Unpack the Cabinet 4
- B** Assess and Prepare the Installation Space 7
- C** Place and Secure the Lowers and Towers 13
- D** Level the Lowers and Towers 23
- E** Install the Finished Backs 25
- F** Install the Wall Panels 28
- G** Anchor the Cabinet to the Floor 36
- H** Install the Uppers 39
- I** Connect the Wires 43
- J** Install the Column Covers 54
- K** Install the End Panels 57
- L** Adjust the Cabinet 64
- M** Install the Accessories 76
- N** Install the Base Covers and Foot Pedals 73
- O** Complete the Installation 82

A Unpack the Cabinet



- 1 Remove the items from the pallets and top of the cabinet.
- 2 Remove the doors and false bottoms.



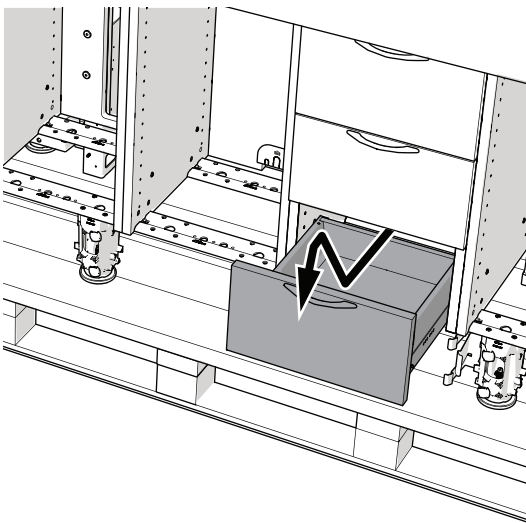
TIP Make note of the installed location of each item to help with reinstallation.

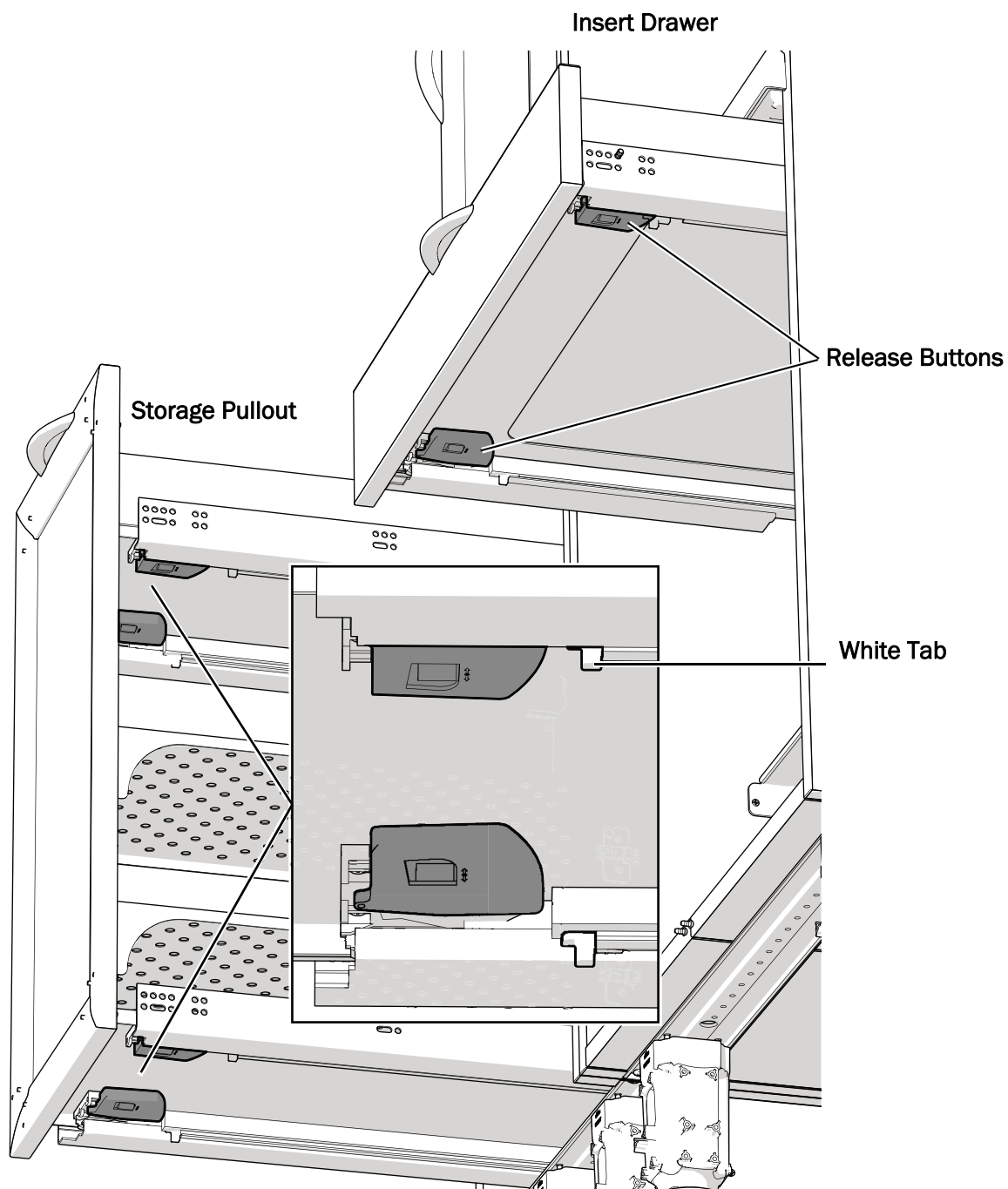
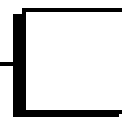
- 3 Remove the storage drawers.

- 1 Pull the drawer out to the stop.
- 2 Lift the front of the drawer, pull out, then down.



NOTE Do not remove any shipping panels, if present, until the end of the installation.



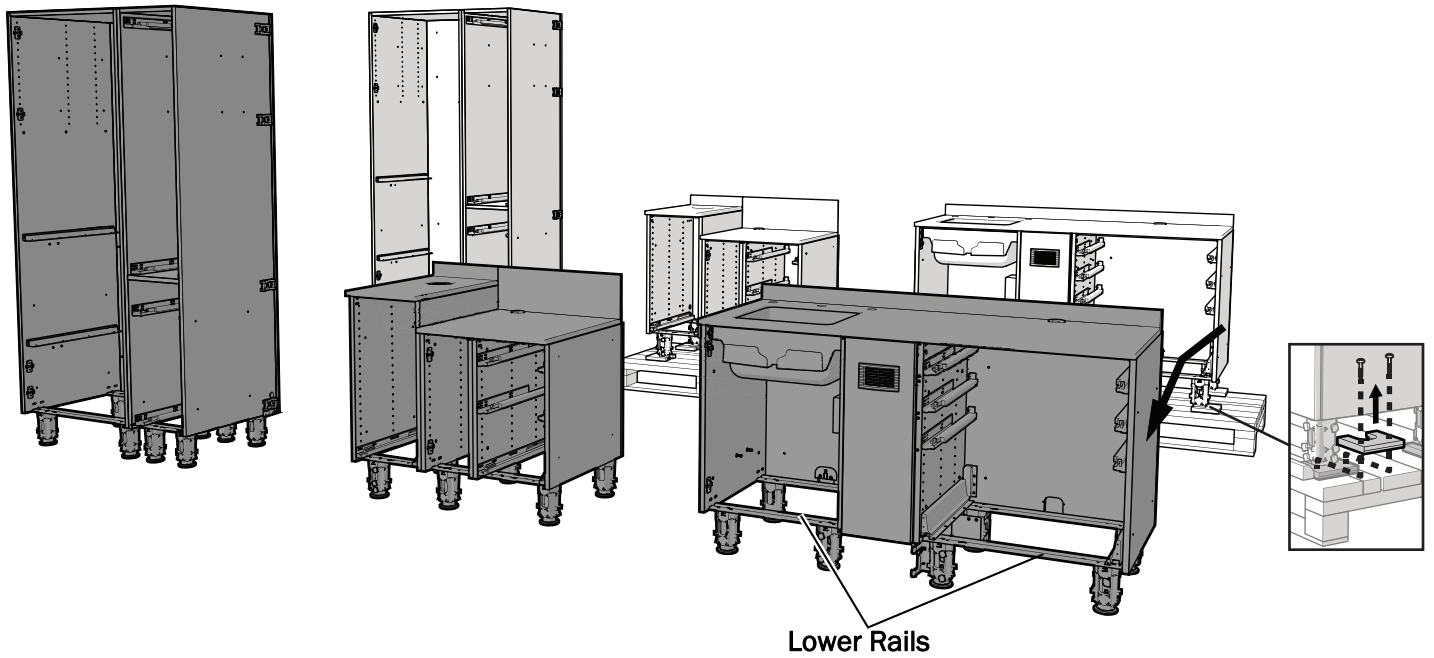
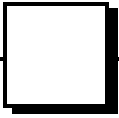


- 4** To remove insert drawers and storage pullouts, squeeze the large orange release buttons on the bottom of the drawer and pull the drawer out.

The storage pullout has two sets of release buttons.



TIP For drawers with four release buttons, slide the white tab back after you squeeze the first two buttons to keep them disengaged then squeeze the second set of buttons.



- 5 Use a 7/16" socket and ratchet to remove the anchors securing the cabinet to the pallet. Lift on the notched side of the anchors and pull to remove them from the feet. Discard all anchors. Do not reuse these anchors to secure the cabinets to the floor.



WARNING Due to the weight of larger configurations, more than two people are needed to safely move the cabinet from the pallet. Do not lift by the countertop.

- 6 Lifting by the lower rails, remove the cabinet from the pallet.

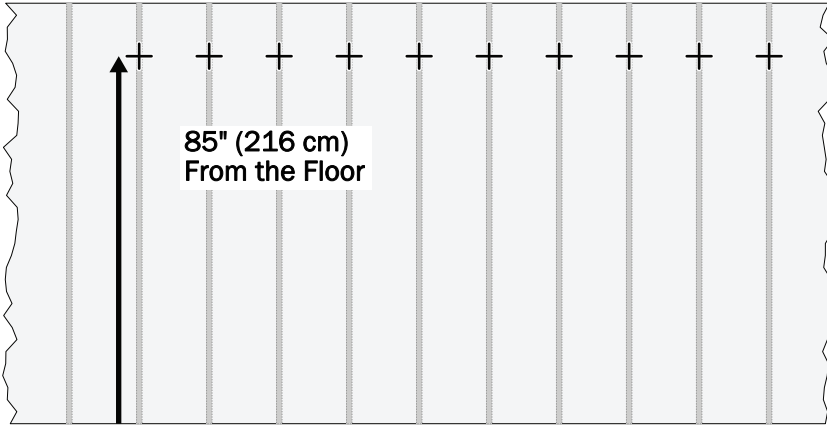
Assess and Prepare the Installation Space



Where to Mark Studs for Anchoring Wall Panels



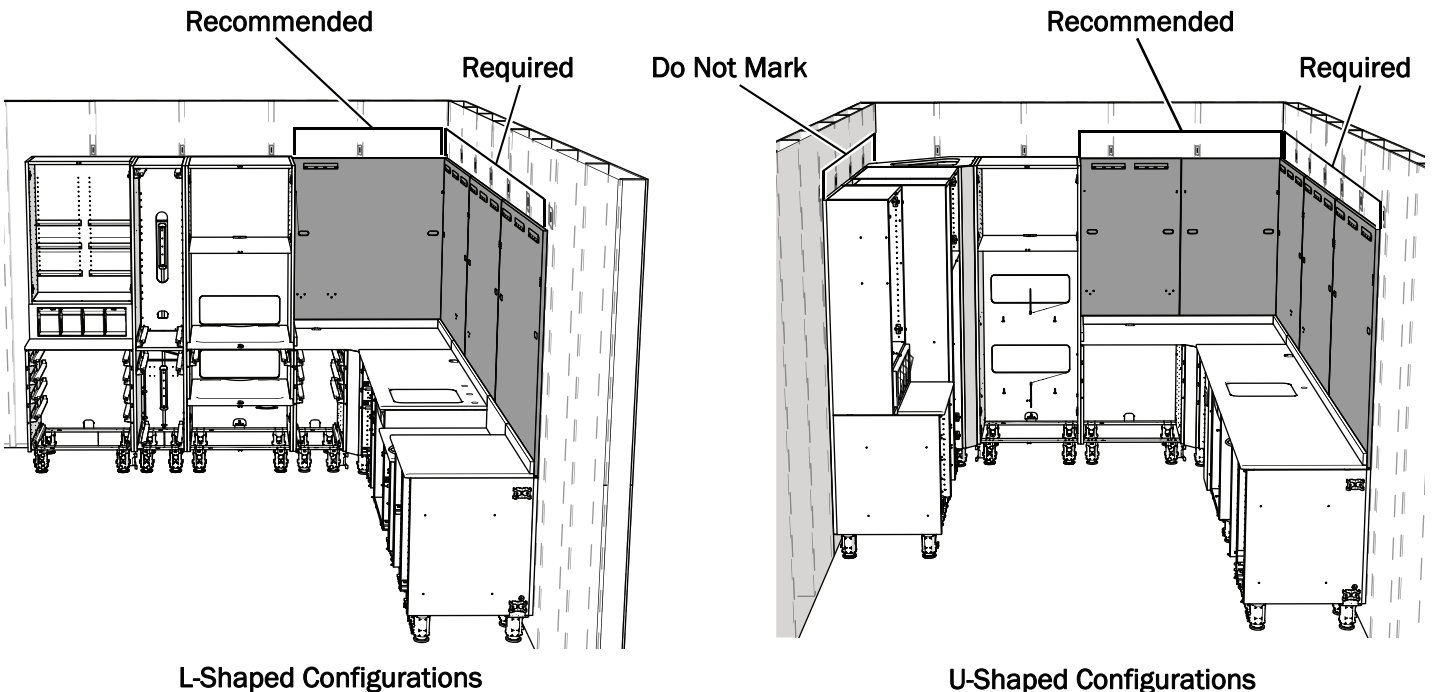
WARNING Wall panels for Receiving and Cleaning and Galley modules that are against structural walls must be anchored to the structural walls. Also, it is recommended to anchor the other wall panels when it is possible to do so.



- 1 On the structural walls that wall panels will be anchored to, temporarily mark the stud locations with tape at 85" (216 cm) from the floor. Completing this step now is easier than when the cabinets are in place.

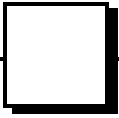
Straight Runs and Galleys - Mark every stud where a wall panel is against a wall.

L- and U-Shaped Configurations - See below for mandatory and recommended locations for anchors. Recommended locations may not be able to be placed depending on the squareness of the room.

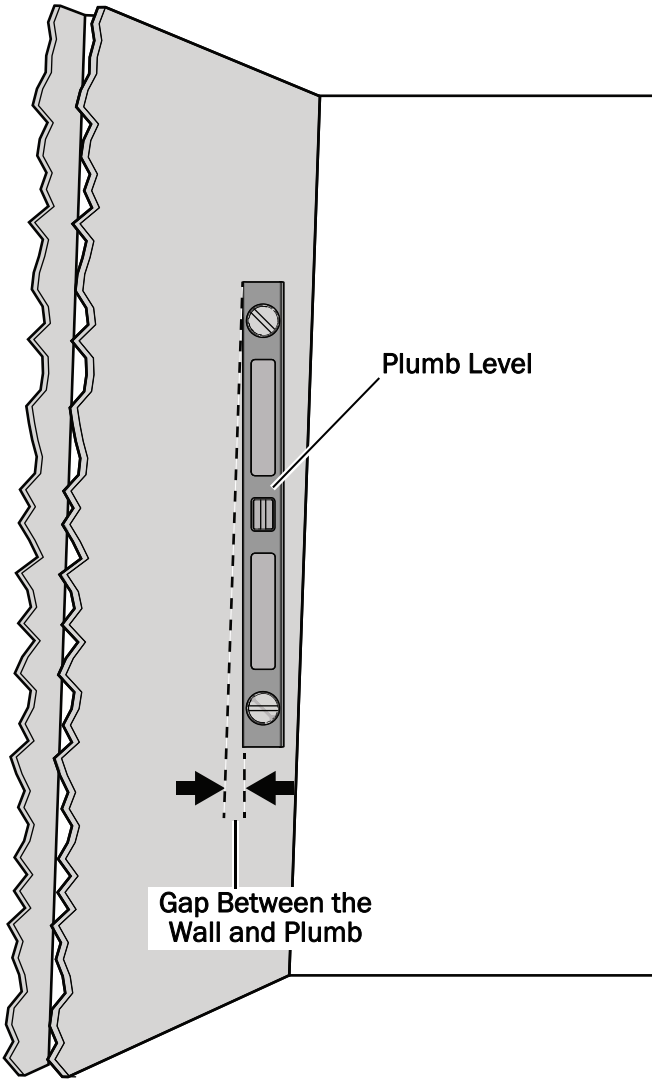


L-Shaped Configurations

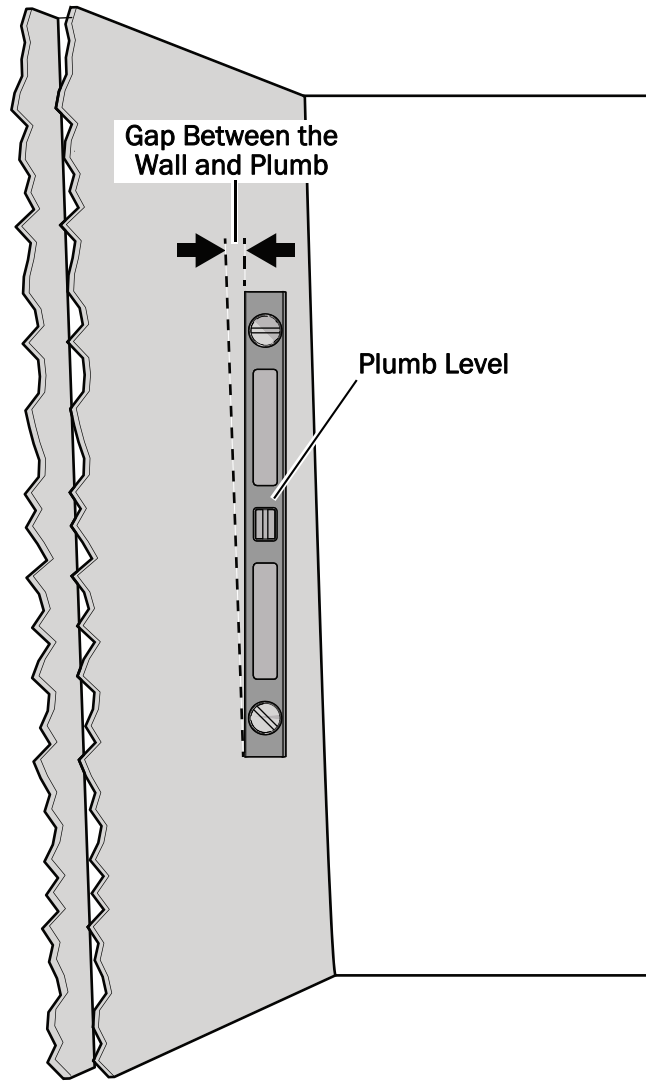
U-Shaped Configurations



Measure the Pitch of the Walls



Structural Wall Pitched Toward the Room



Structural Wall Pitched Away From the Room

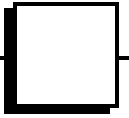
- 1 Note the vertical pitch of the walls where the cabinet will be installed.



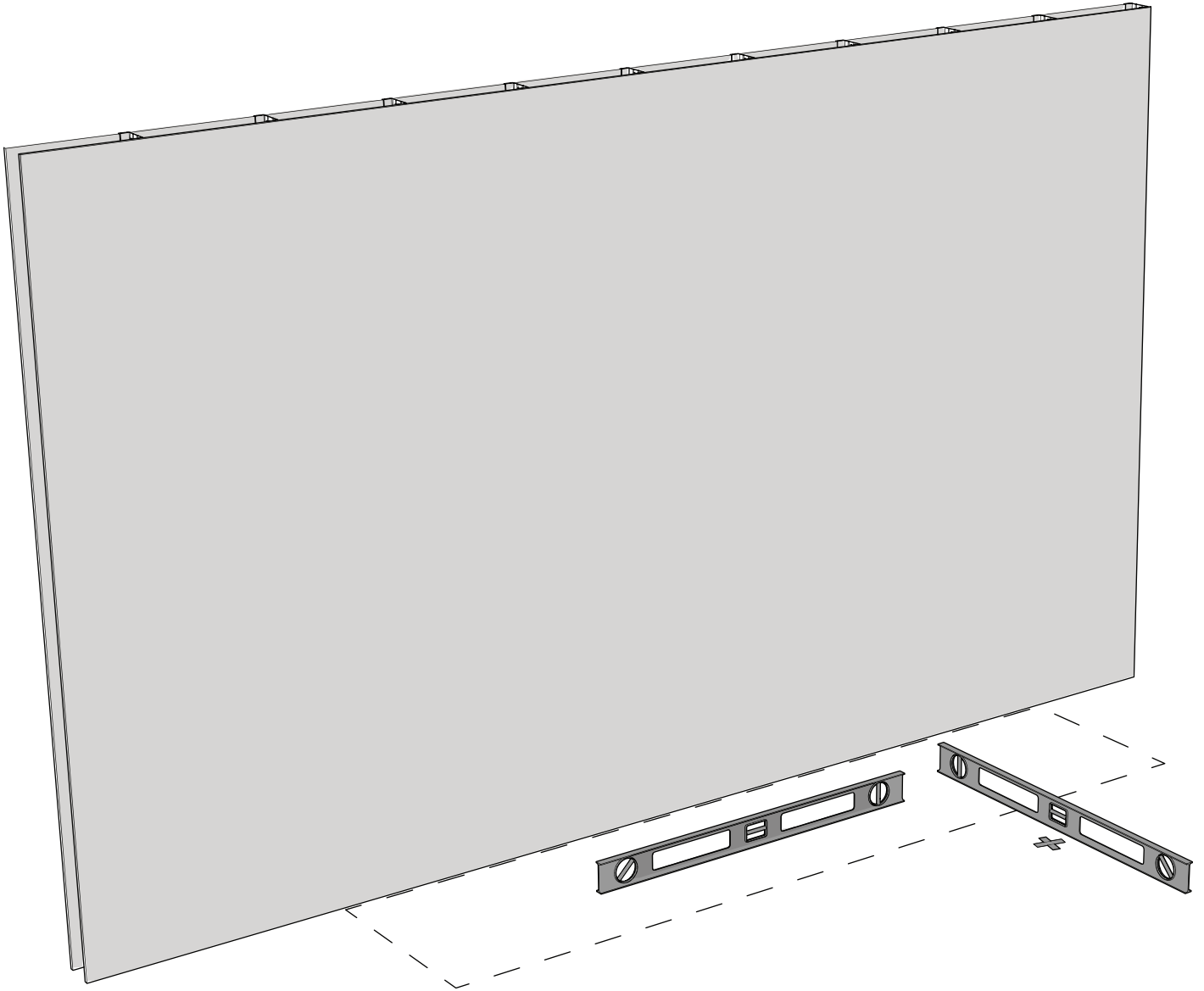
NOTE You will use this information when you place the cabinets.

Structural Wall Pitched Toward the Room - Lower cabinets are spaced off of the wall.

Structural Wall Pitched Away From the Room - Lower cabinets are placed against the wall.



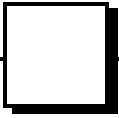
Identify the High Spot of the Floor



- 1** Use a four-foot level to identify the high point of the floor where the cabinet will be located, for both side to side and front to back.



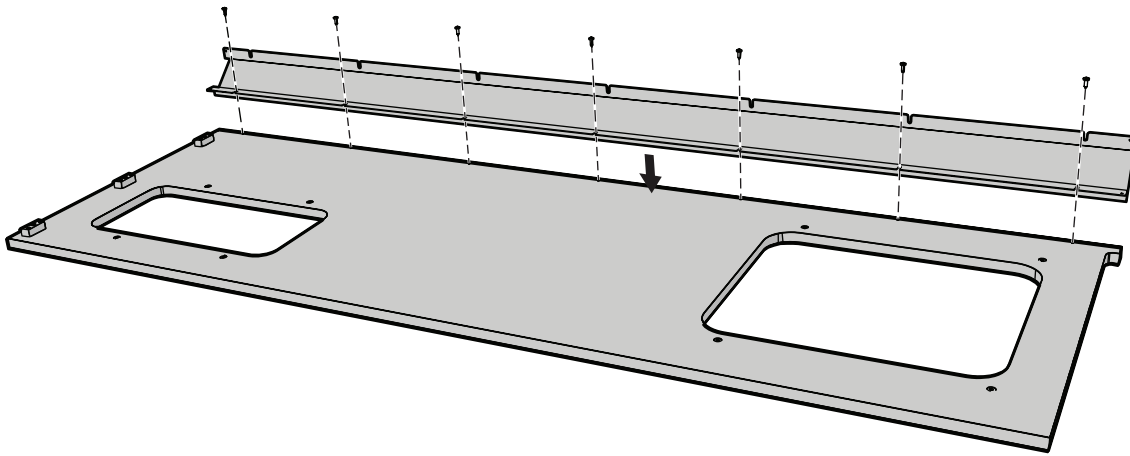
TIP For a frame of reference while leveling, mark the high spot with a piece of tape in front of where the cabinet will be placed.



Build the Tower Corner (optional)



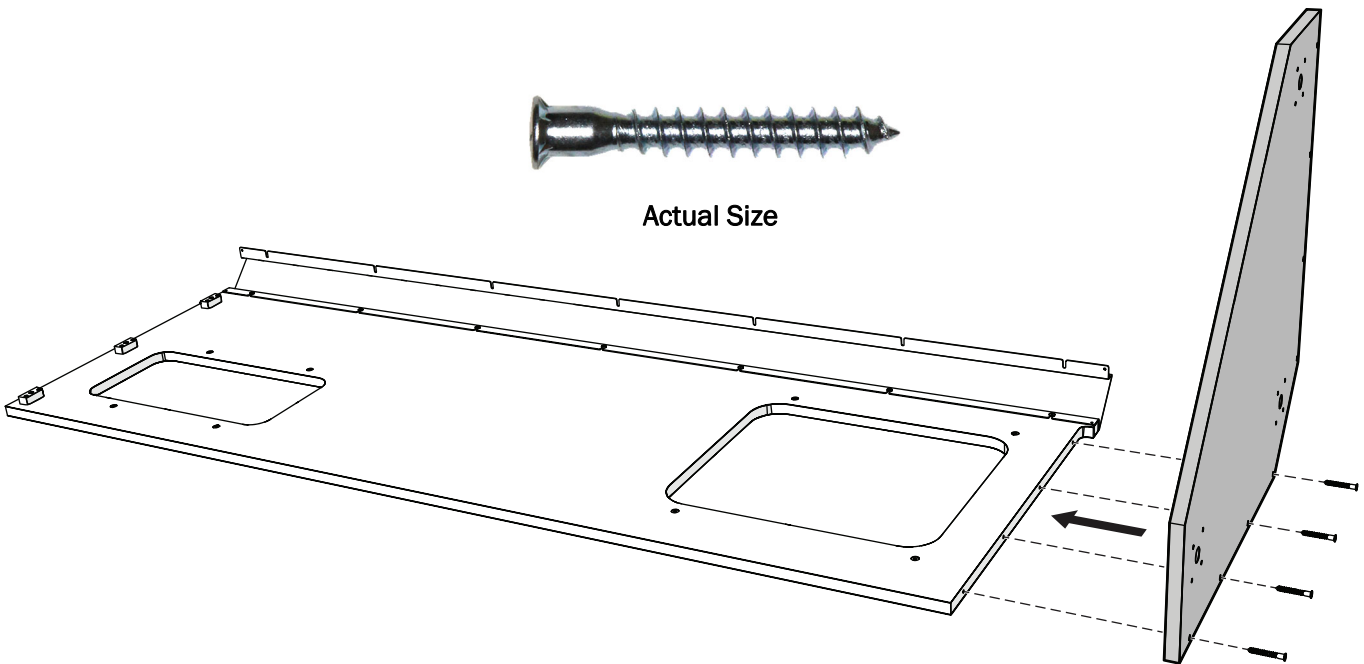
Actual Size



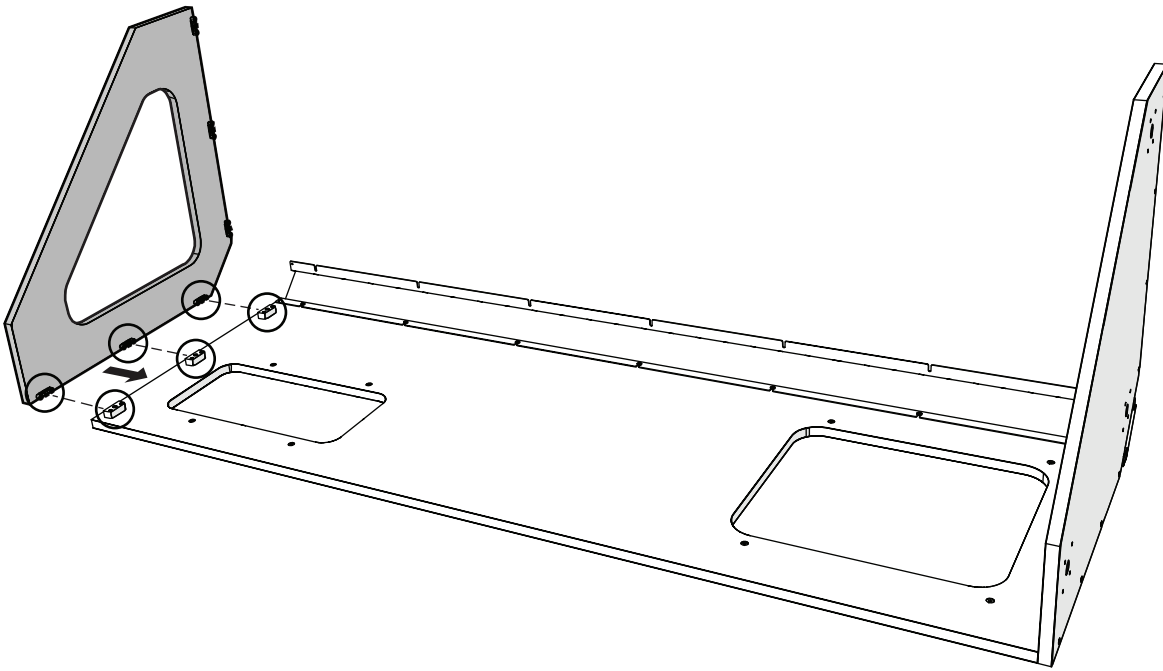
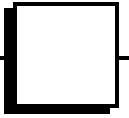
- 1 Use seven screws to secure the bracket to one side.



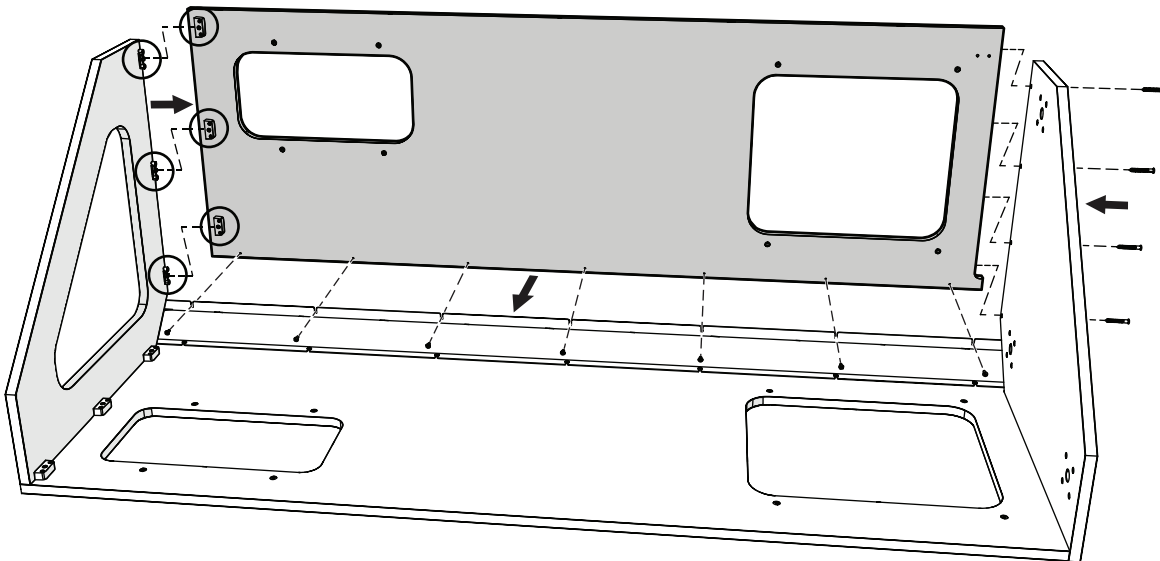
Actual Size



- 2 Use four screws to secure the bottom to the side.



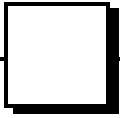
3 Use a standard screwdriver to close the cams and secure the top to the side.



4 Place the second side into position and close the three cams at the top.

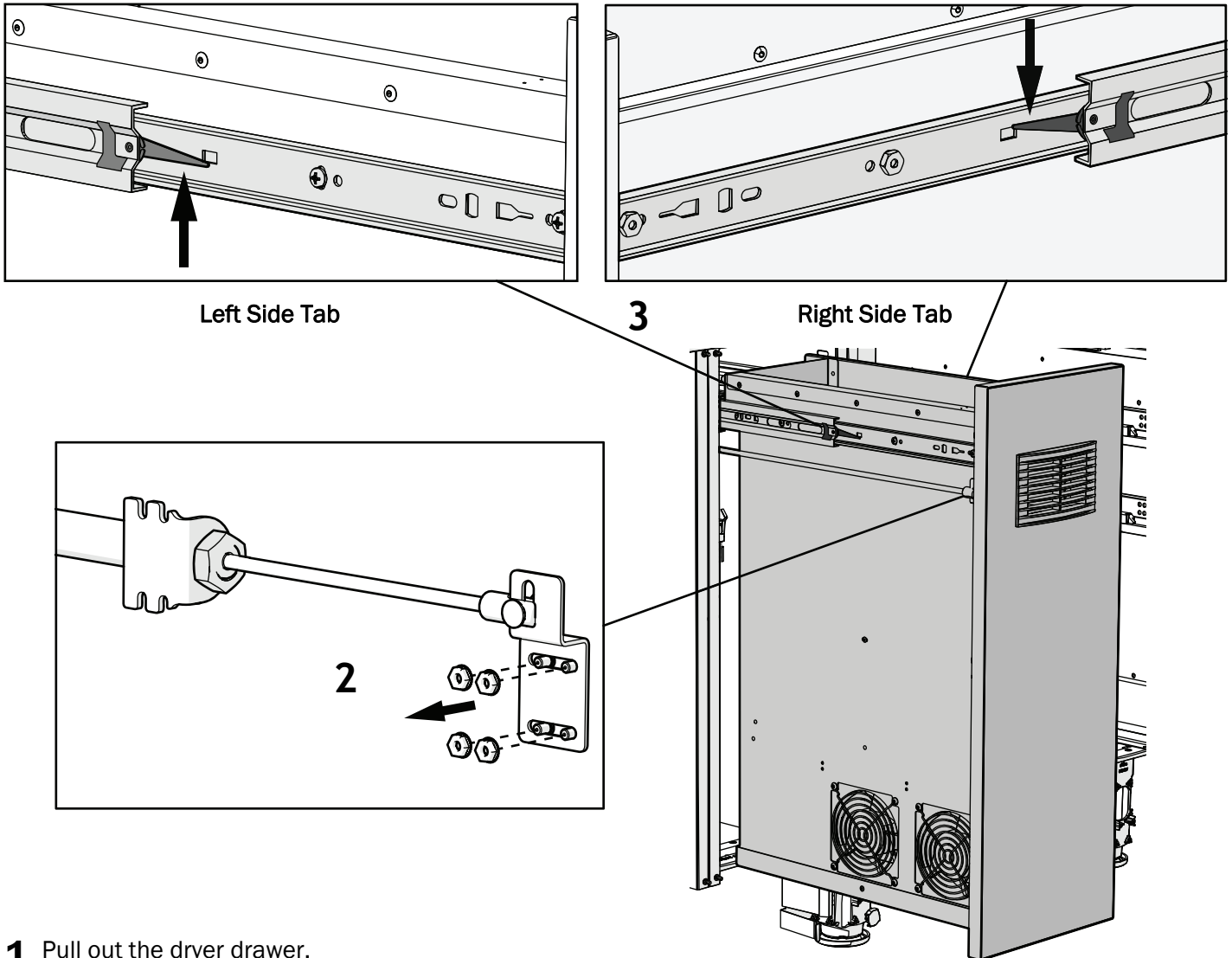
5 Use four screws to secure the side to the bottom.

6 Use seven screws to secure the side to the bracket.



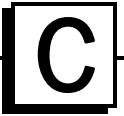
Remove the Dryer

If the dryer is located at the end of a module that will be connected to another module, remove the dryer to provide access for securing the cabinets.

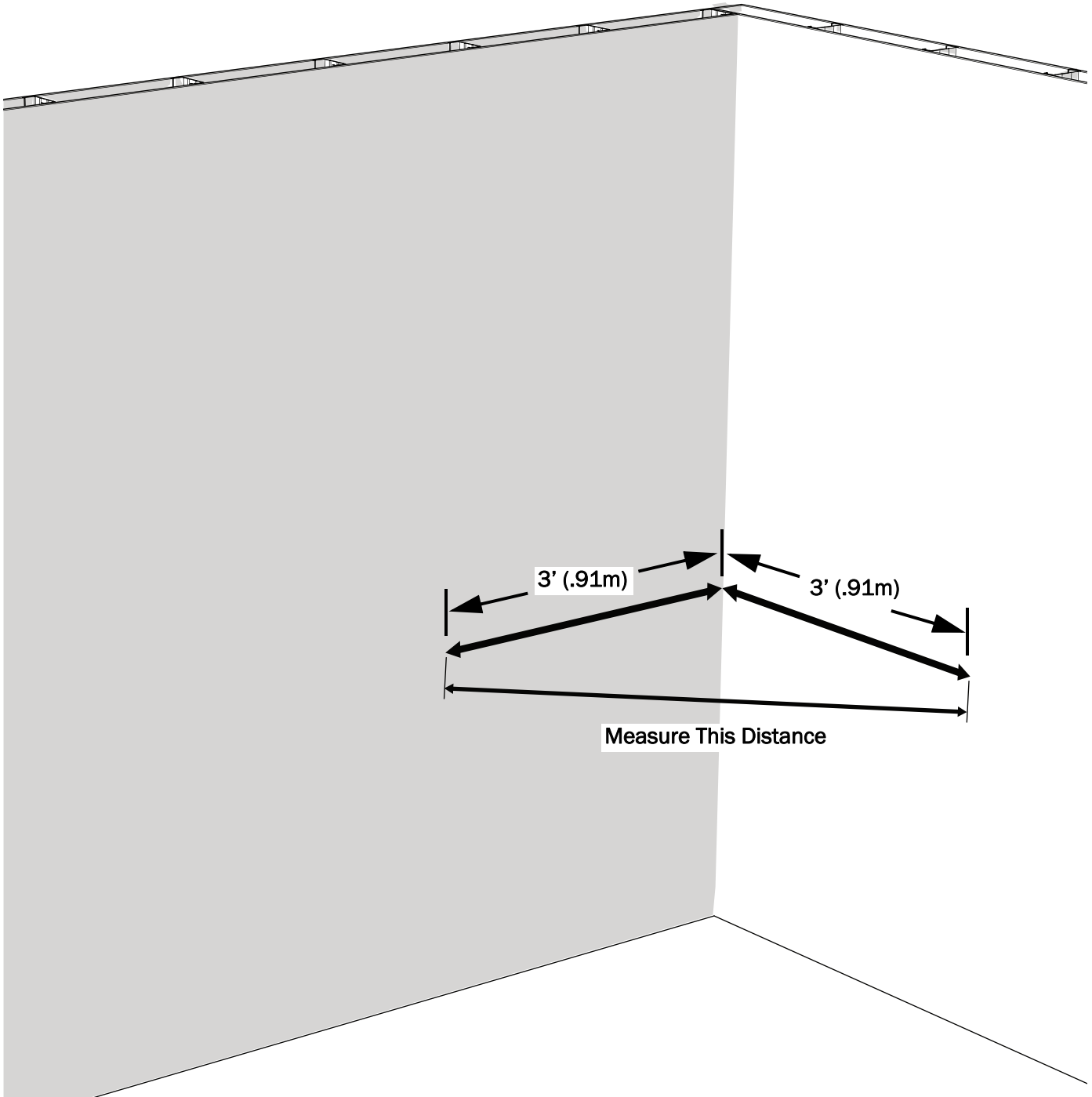


- 1** Pull out the dryer drawer.
- 2** If applicable, remove the four nuts and separate the pneumatic cylinder from the dryer.
- 3** Lift the left side tab up and push the right side tab down while sliding out the drawer. Leave the drawer connected but place it out of the way.

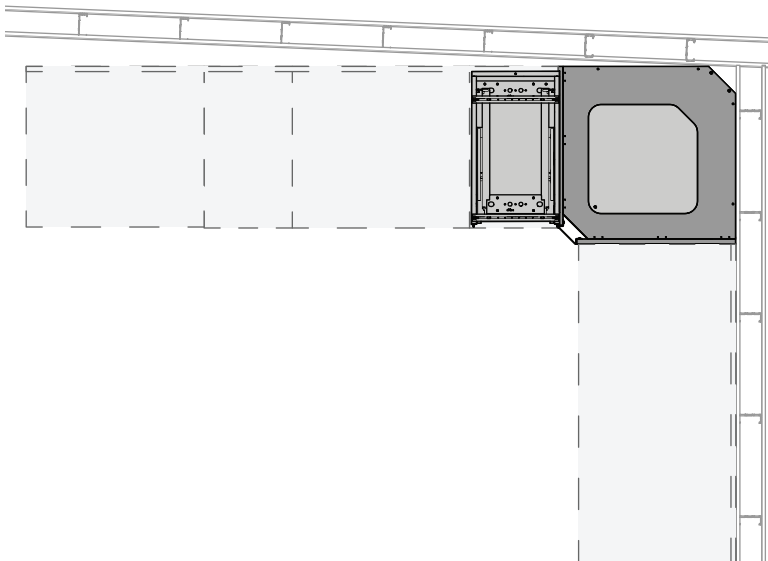
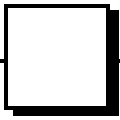
Place and Secure the Lowers and Towers



Place the Lower Corner (L- and U-Shaped Configurations only)



- 1** Measure the distance between the walls in the corner at the end of the run that includes the sink. Measure from wall to wall at 3' out from the corner on each wall.

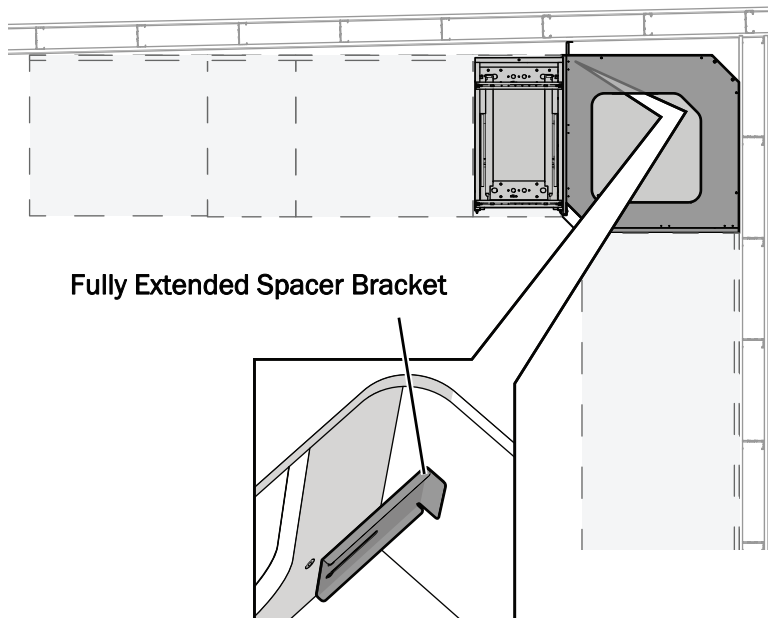


Corner Placed with Walls Equal to or More Than 51" (130 cm) Apart

2 To position the lower corner, do one of the following according to the measurement from step 1:

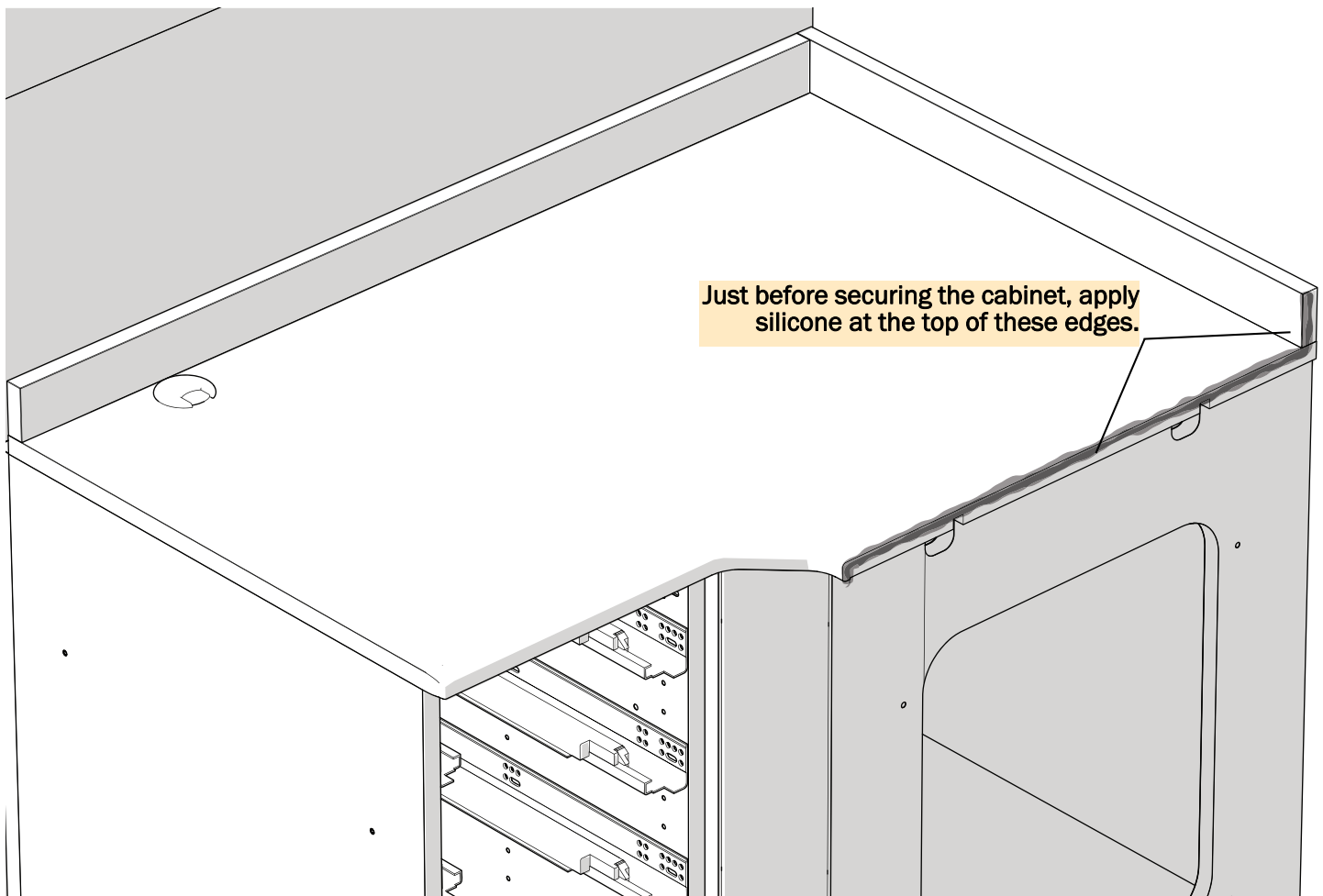
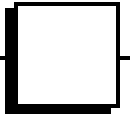
- If the distance between the walls is 51" (130 cm) or more, place the corner near the base of both walls.
- If the distance between the walls is less than 51" (130 cm), fully extend the spacer bracket, then place the corner.

To extend the spacer bracket, loosen its two screws, extend the bracket, then tighten the two screws to secure the bracket.



Fully Extended Spacer Bracket

Corner Placed with Walls Less Than 51" (130 cm) Apart



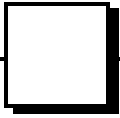
- 3** Just before securing the cabinet apply a liberal bead of silicone at the top edge of the countertop where it will adjoin with the Receiving and Cleaning countertop.



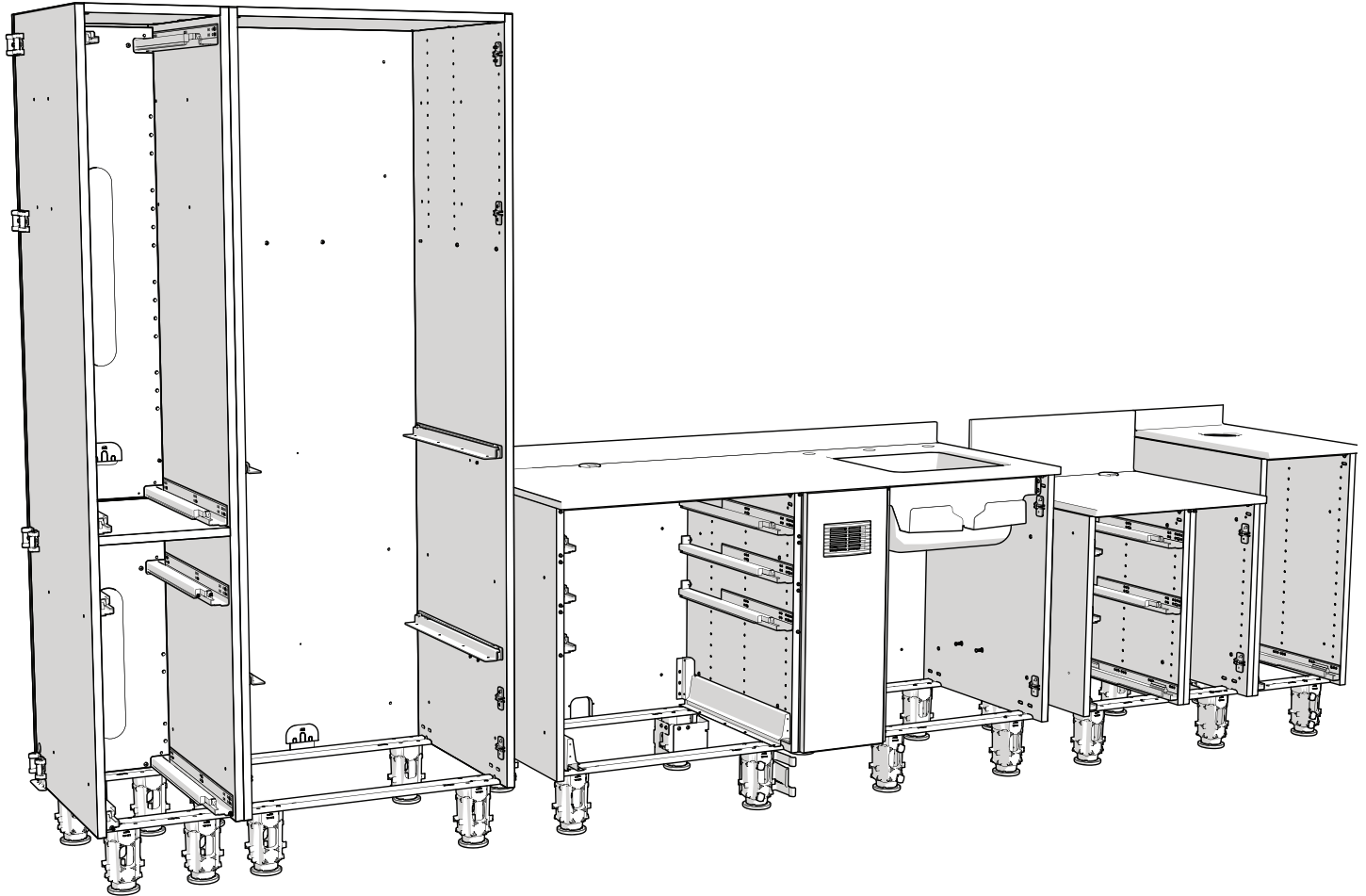
TIP Apply enough silicone (p/n 048.080.00) to completely fill the top of the space between Receiving and Cleaning and the lower corner once they are connected. It's better to clean up extra silicone that will squeeze out when connecting the two modules than not have enough between the modules.



NOTE While you will have plenty of time to comfortably finish the installation before the silicone cures, do not wait for an extended period before securing the lower to the corner.



Place the Lowers and Towers



- 1 Place all of the lowers and towers into position.



TIP Refer to the images of the configured product that are included in the quote packet to confirm the correct location of each module.

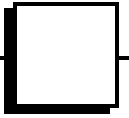
- 2 When installing cabinets against walls, once all of the modules are in place, adjust their position in relation to the structural walls. Make sure to place the lowers so that their wall panels will be as close to the wall as possible when the panels are plumb.



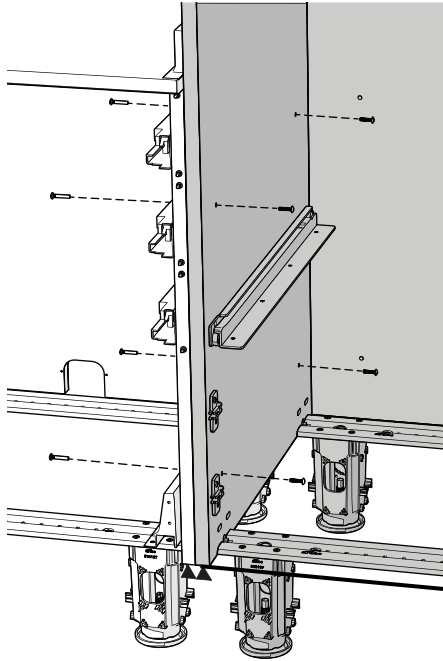
TIP It is easier to pull a cabinet away from a wall than to push it toward the wall.



NOTE Do not remove any shipping panels, if present, until the end of the installation.



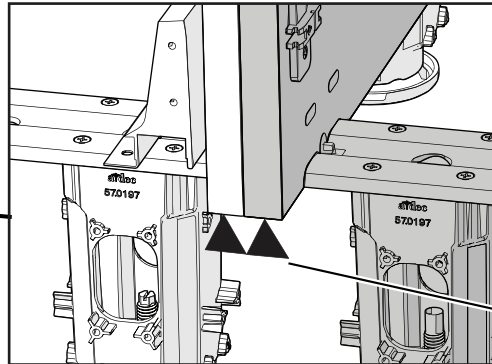
Secure Straight Runs and Galleys



- 1** Use barrel bolts to secure the modules to each other.
- Lowers require four barrel bolts.
 - Tower to tower requires eight barrel bolts.



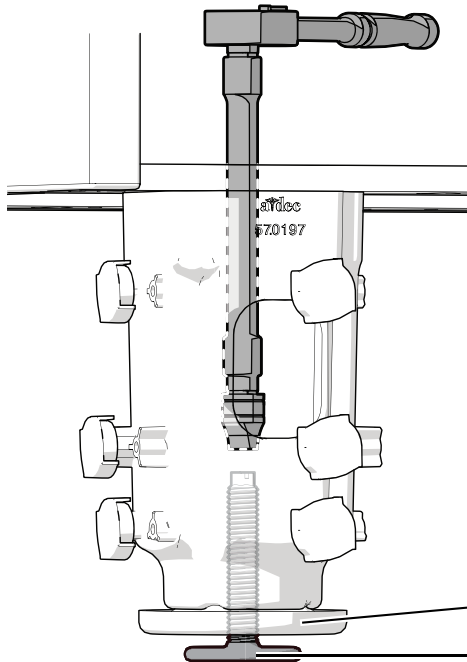
Actual Size



Bottom Edges Are Flush



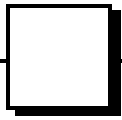
TIP To align the holes for the fasteners, check that adjacent side panel bottoms are flush. Use the leveling screws in the cabinet's feet to adjust the height of the panels (see below).



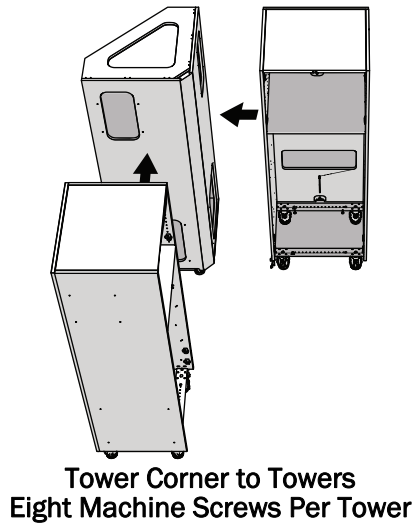
Cabinet Foot
Leveling Screw



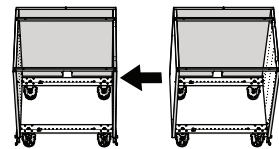
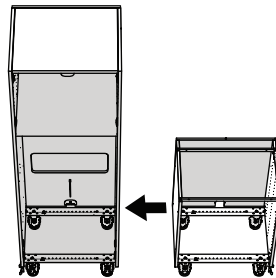
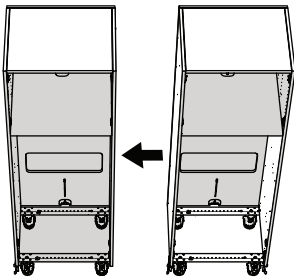
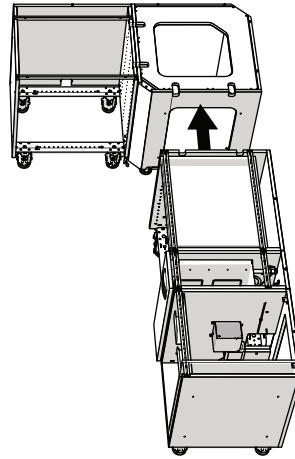
NOTE Extend the leveling screw (turn it clockwise) to raise the cabinet.



Secure L- and U-Shaped Configurations



Actual Size



Actual Size

1 Use barrel bolts to secure the modules, except for the following two instances. Use machine screws for:

- Tower corner to towers
- Lower corner to lower



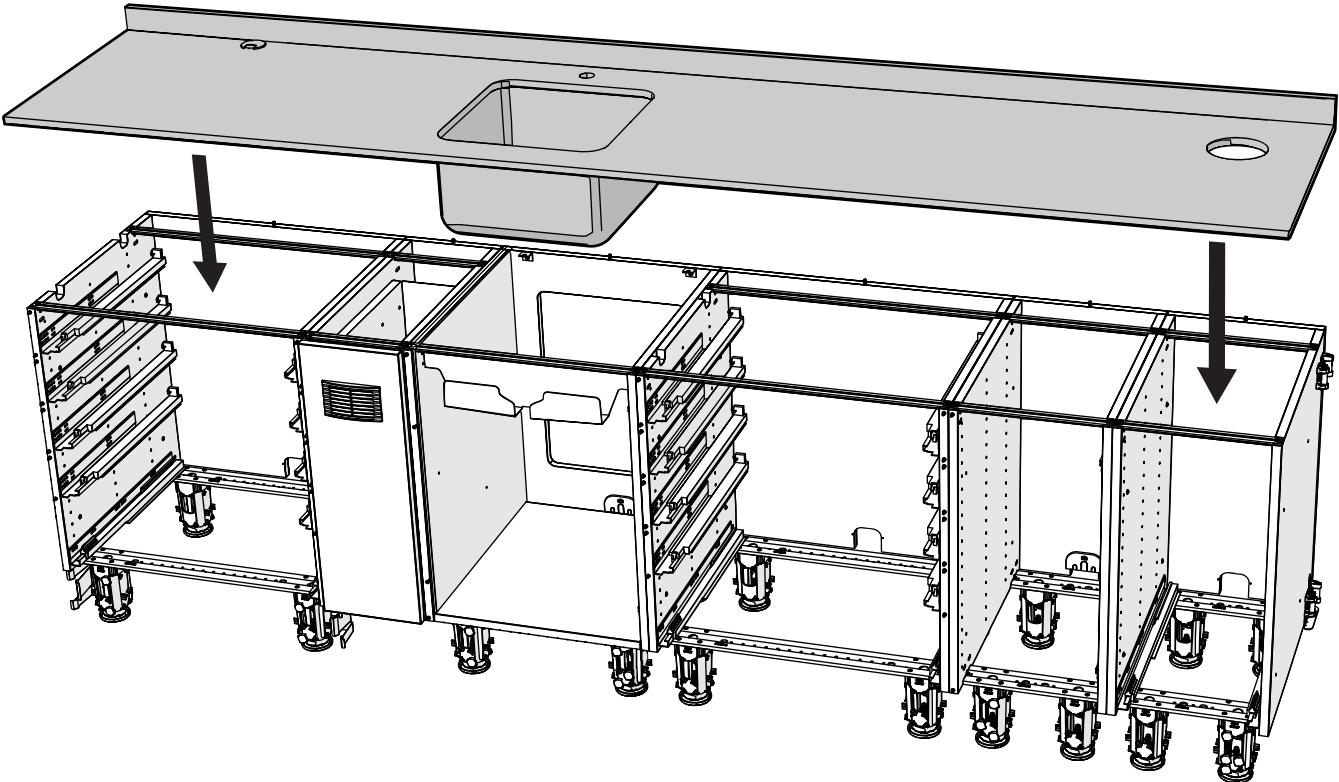
NOTE For information on aligning the holes for the fasteners, see the Tip on the previous page.



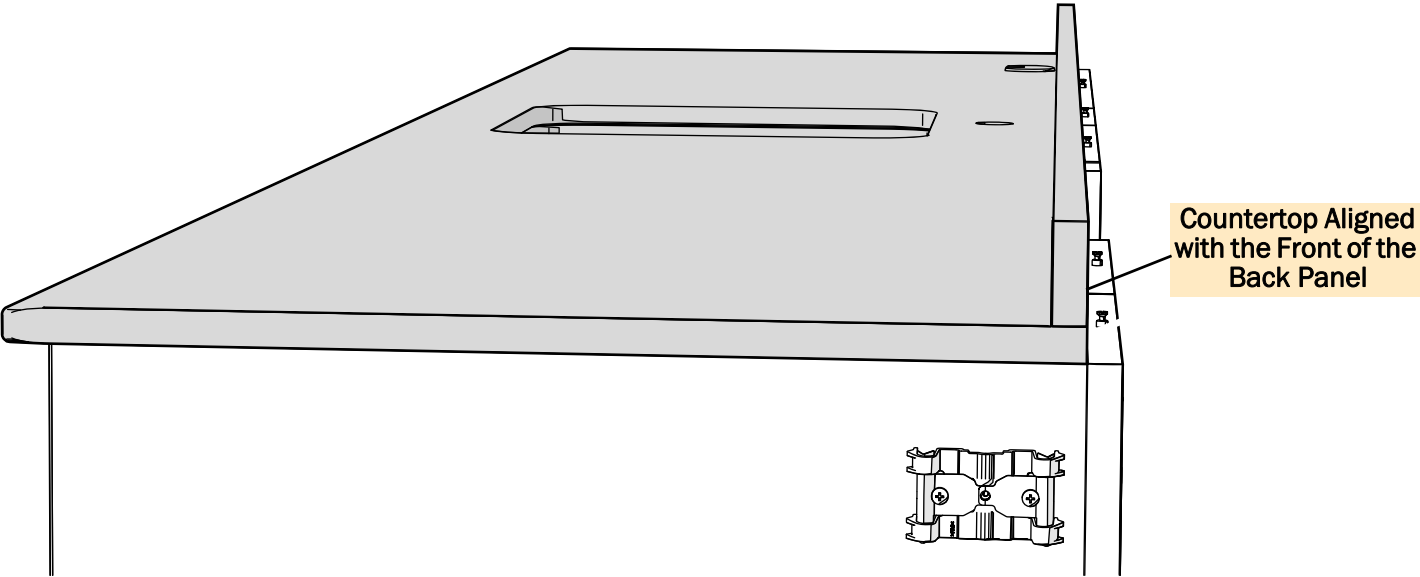
TIP When securing the lower corner to the tower, loosely secure the barrel bolts to provide a little room for installing the wall panel.



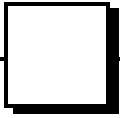
Install the Countertop (if not pre-installed)



1 Position the countertop on the lowers and center it side to side.

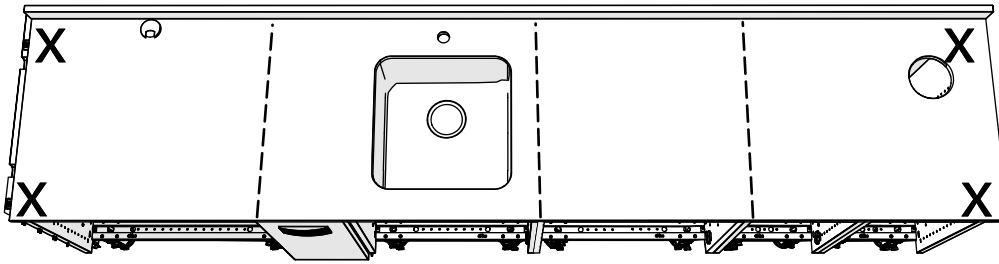


2 To leave room for the wall panels, align the edge of the back splash with the front edge of the lowers' back panel.



NOTE Extended length cabinets will require additional screws.

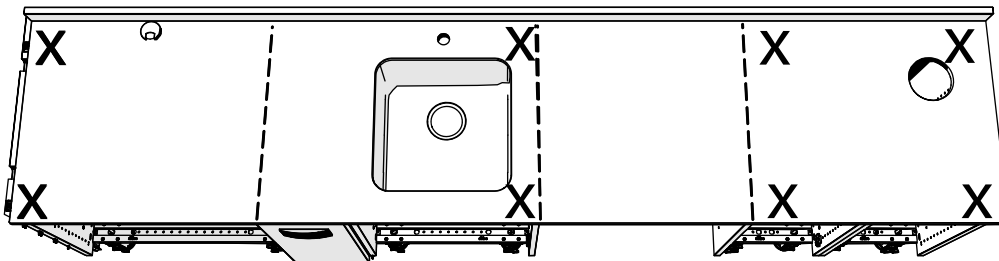
3 To secure the countertop to the rails, install the screws in the following locations according to the cabinet's configuration.



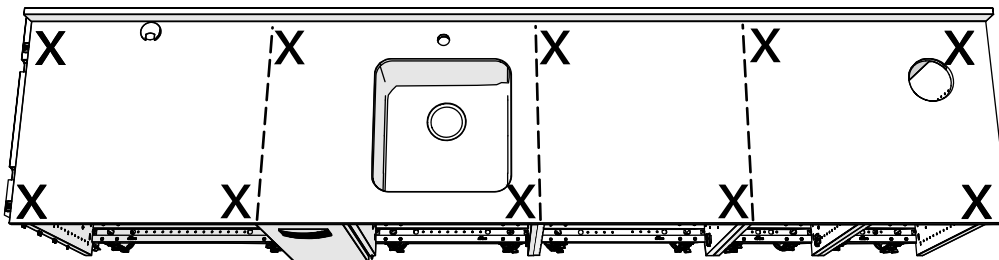
Quartz Countertop Over All Lowers



**Screw for Quartz
Countertops
Actual Size**



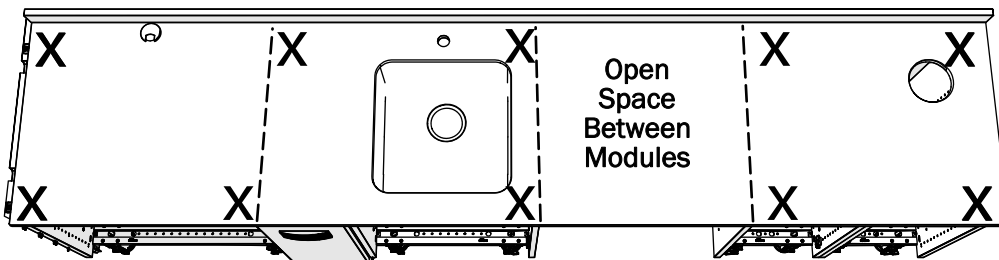
Quartz Countertop Over Lowers



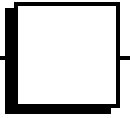
Solid Surface Countertop Over All Lowers



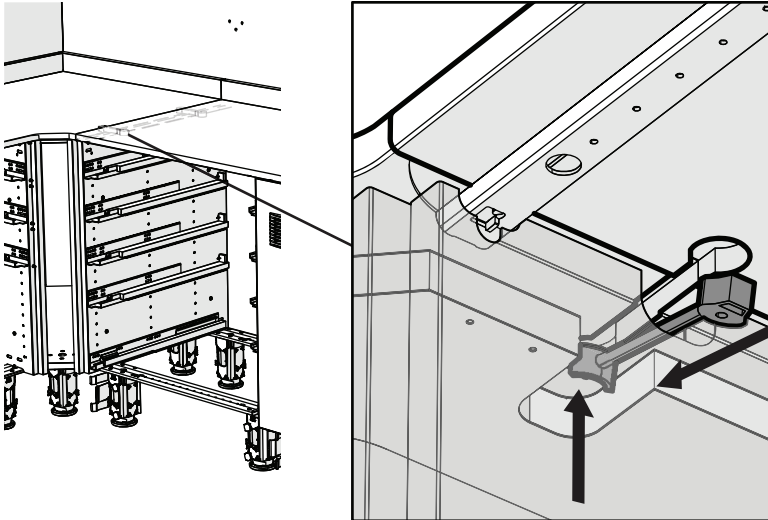
**Screw for Solid
Surface Countertops
Actual Size**



Solid Surface Countertop Over Lowers with a Space Between Modules



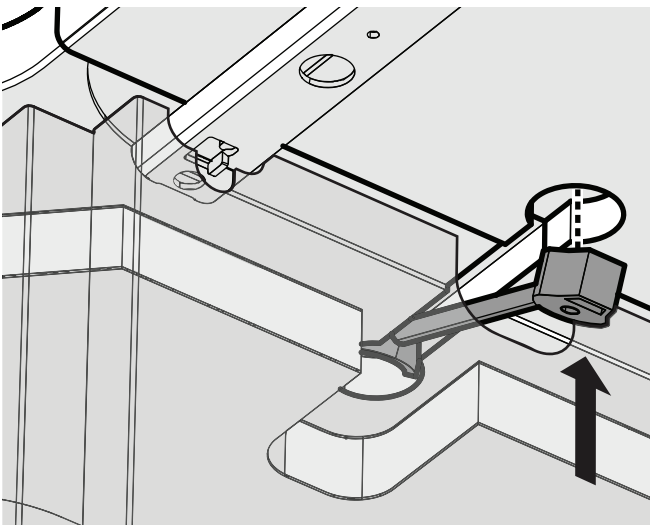
Install the Toggle Bolts



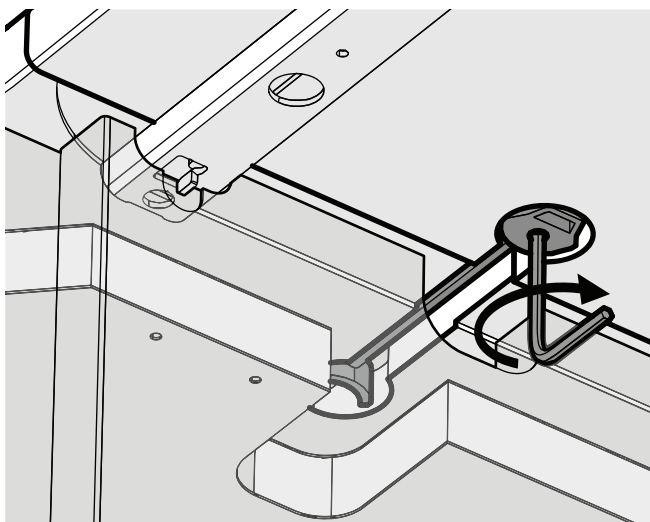
- 1** Place the U-shaped end of a toggle bolt into the hole of the lower corner.



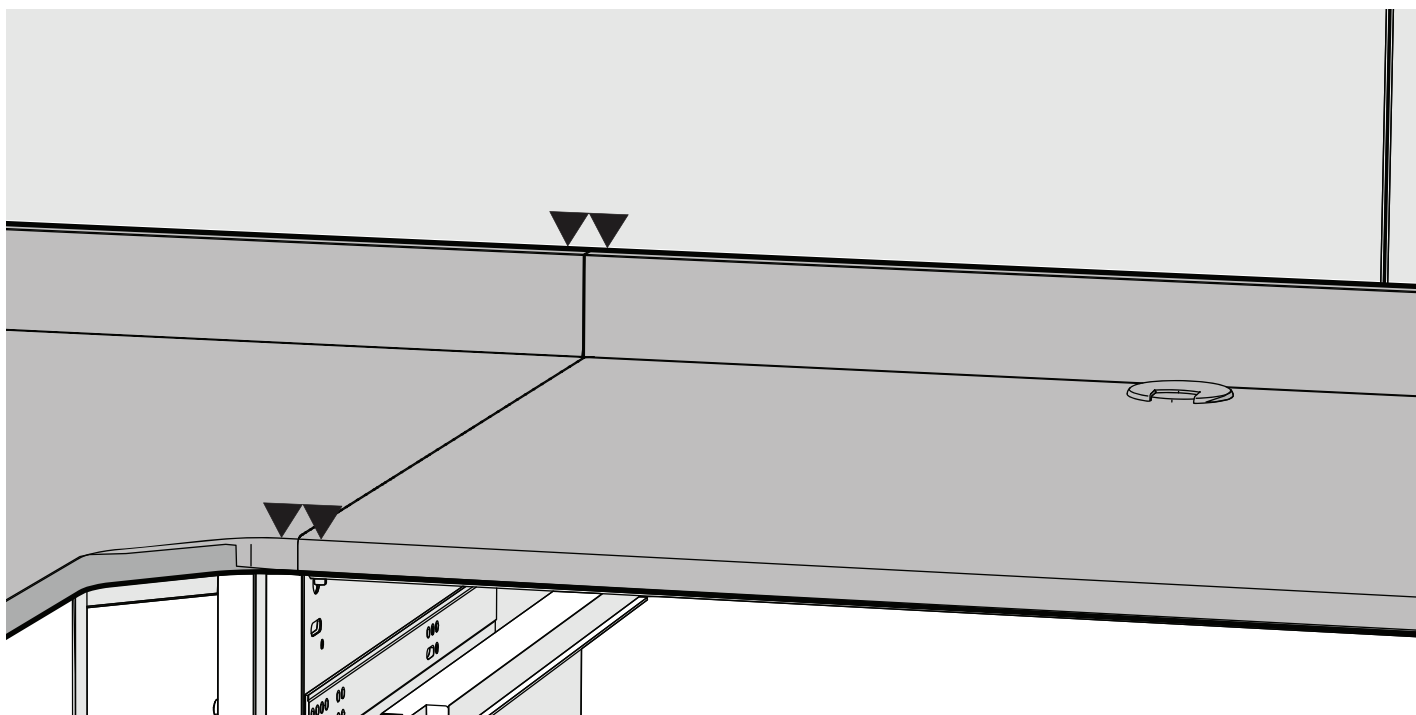
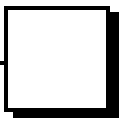
TIP For better access to the hole and toggle bolt, remove the drawer slide directly below the hole.



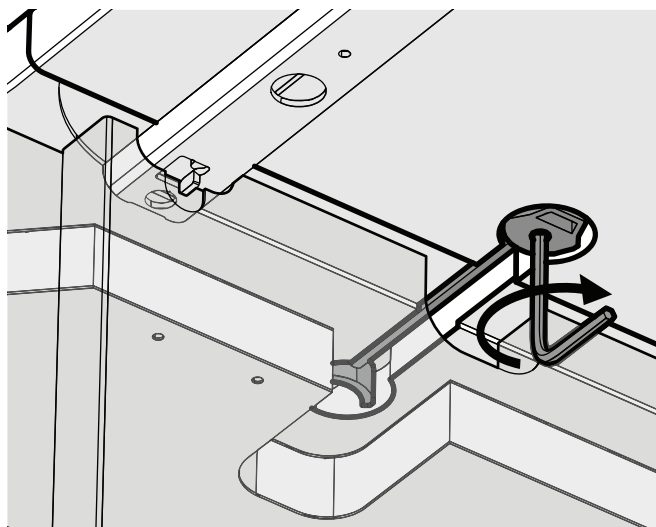
- 2** With the opening for the hex key facing the floor, lever the other end of the toggle bolt into place in the straight run.



- 3** Loosely secure the toggle bolt so it stays in position.
- 4** Repeat steps 1 through 3 for the second toggle bolt.



5 Adjust the countertops so that they are flush. If there is a large difference in countertop heights, you may need to use shims to prevent them from shifting position later.



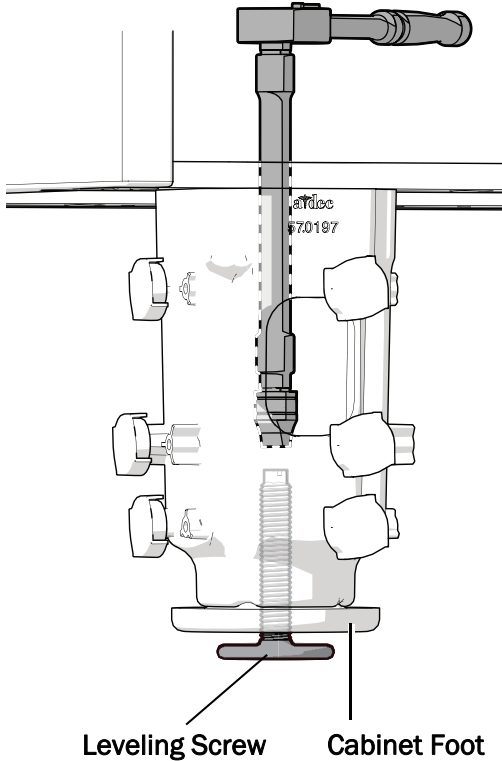
6 Tighten the toggle bolts fully to secure the countertops.

7 Clean any silicone that may have squeezed out between the countertops.

Level the Lowers and Towers



The leveling procedure is the same for all configurations.



CAUTION When adjusting the leveling screw, be sure to use a 6-point socket. 12-point sockets can damage the screws.



CAUTION To maintain the complete look and functionality of the cabinet, do not raise the cabinet more than 3/4" (19 mm).

- 1** Starting at the high points (identified in step 1 on page 9), use a 5/16" socket and ratchet (with extension) to adjust the leveling screw.

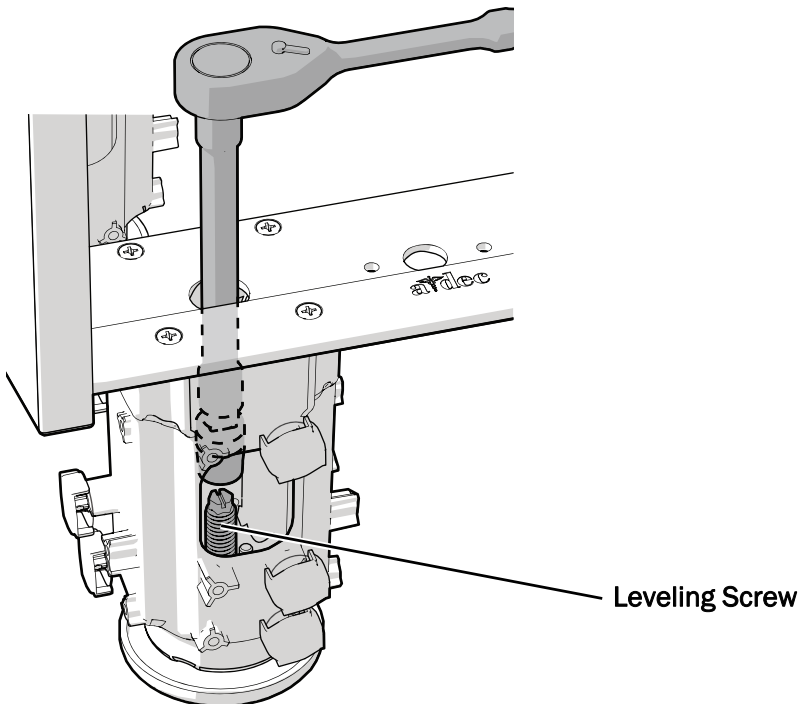


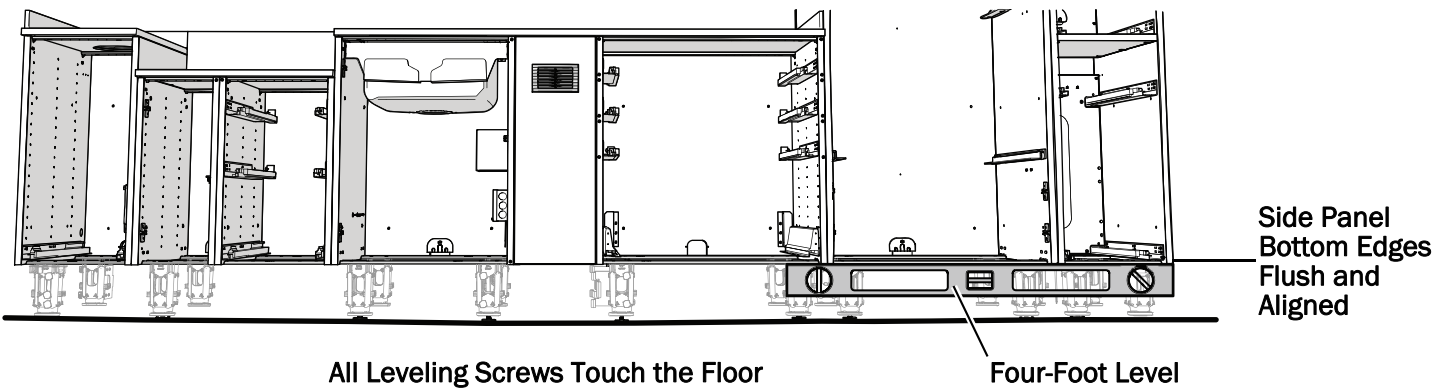
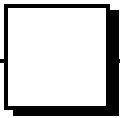
NOTE Extend the leveling screw (turn it clockwise) to raise the cabinet. Retract the screw to lower the cabinet.

- 2** Work from side to side and end to end. Adjust the leveling screws to raise cabinet sections until they are even with the high point and the entire cabinet is level.



NOTE Continue to alternate side to side and end to end adjustments during the entire leveling process.





- 3** Use a straight edge to make sure the bottom edges of all the side panels, from module to module, are flush and aligned. A base cover may be used if no other straight edge is available.
- 4** Make sure all of the leveling screws are touching the floor.

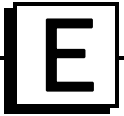


TIP To check that the leveling screw is touching the floor, try to slide a piece of paper under it.

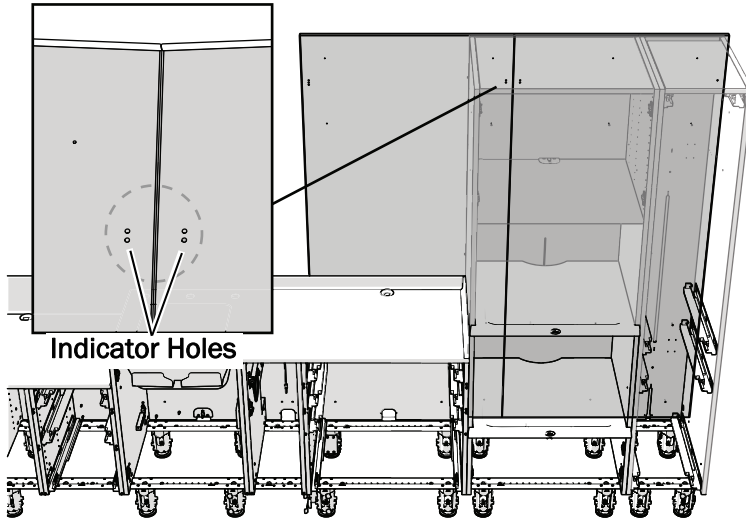
Next Step See the section for the cabinet's configuration:

- **Straight Runs and Galleys** - "Install the Finished Backs" on page 25
- **L- and U-Shaped Cabinets** - "Install the Wall Panels" on page 28

Install the Finished Backs (optional for free-standing Straight Runs and Galleys only)



Finished backs are used with free-standing cabinets.

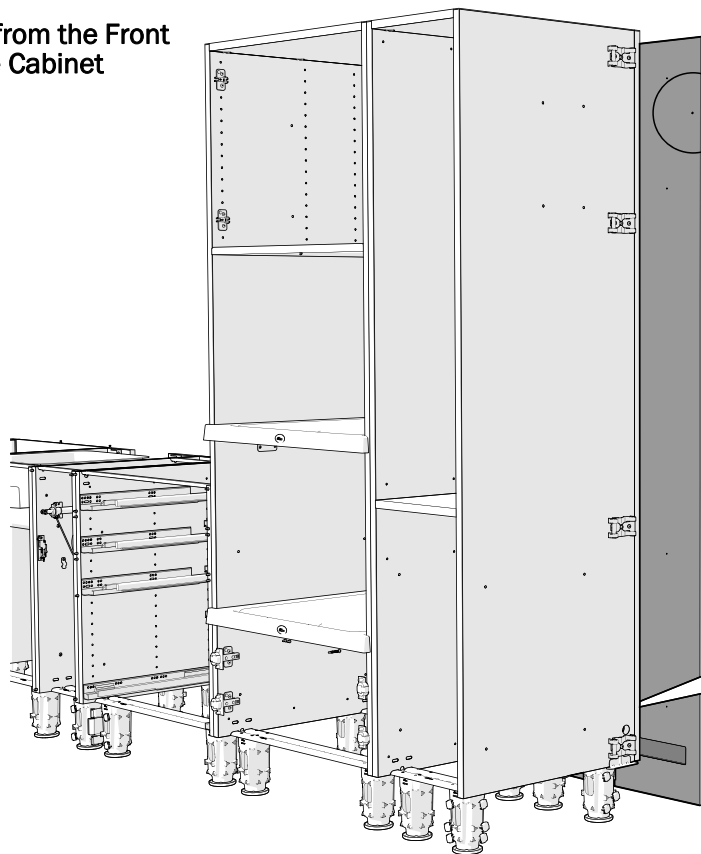


NOTE Finished backs are marked with small indicator holes toward their sides near the top to note their order of installation. When placing the backs, match the number of holes on the adjacent back.



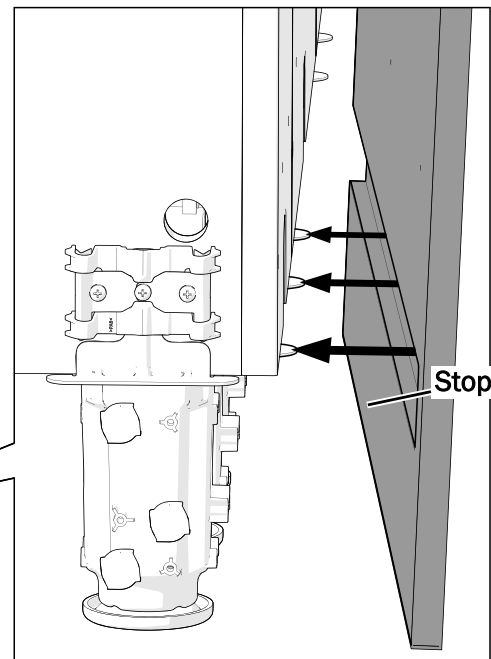
NOTE If the finished back was ordered for a specific leg, refer to your technical packet to determine the correct leg on which to determine the back panel.

View from the Front of the Cabinet



One Indicator Hole

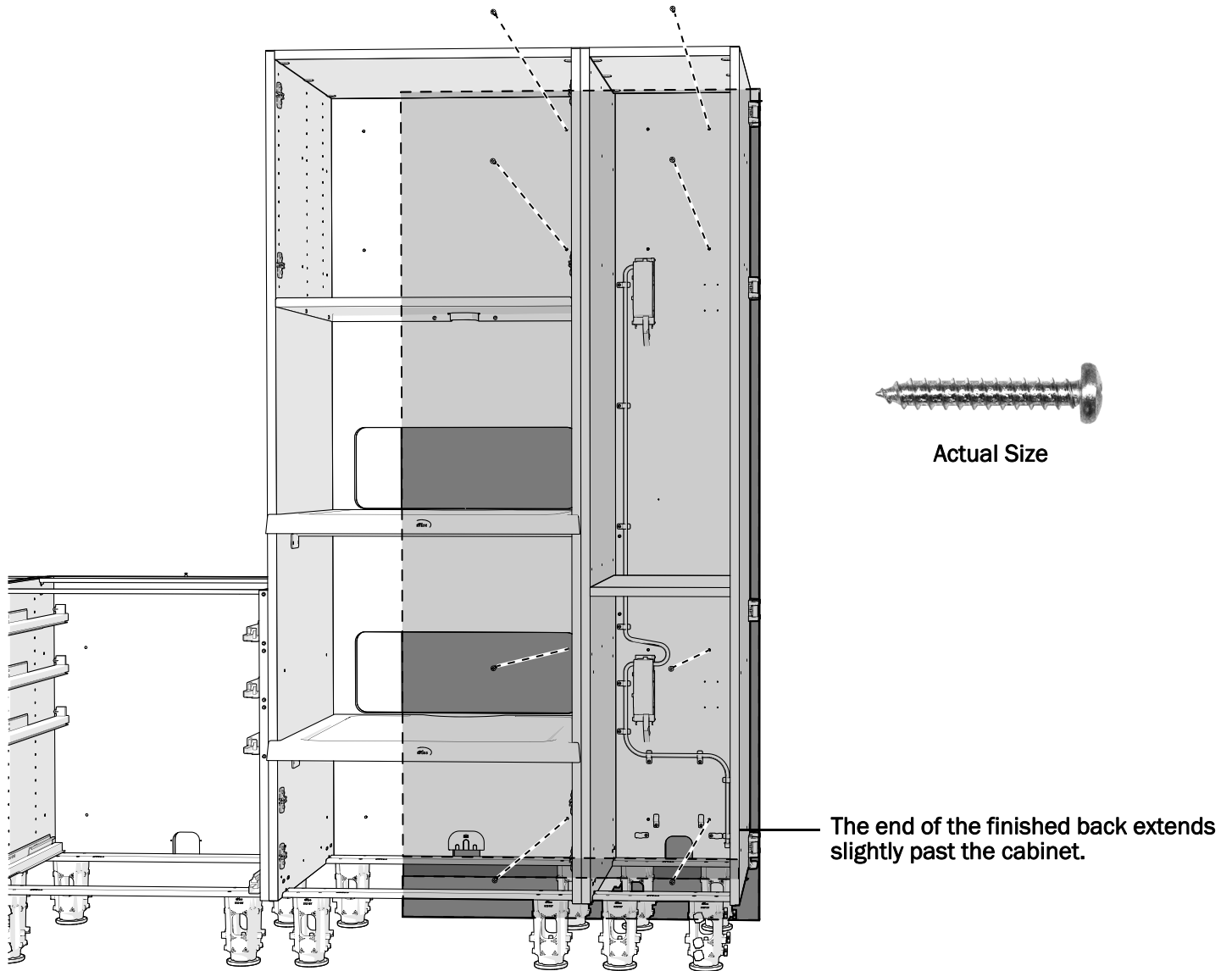
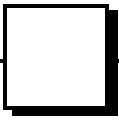
View From the Back of the Cabinet



1 Starting at the end of the towers, place the back with one indicator hole on the stop. The side of the back with the holes faces toward the cabinet.

For Galley runs that consist of all towers:

- If the hole is toward the left side of the back, place it on the left-most tower.
- If the hole is toward the right side of the back, place it on the right-most tower.

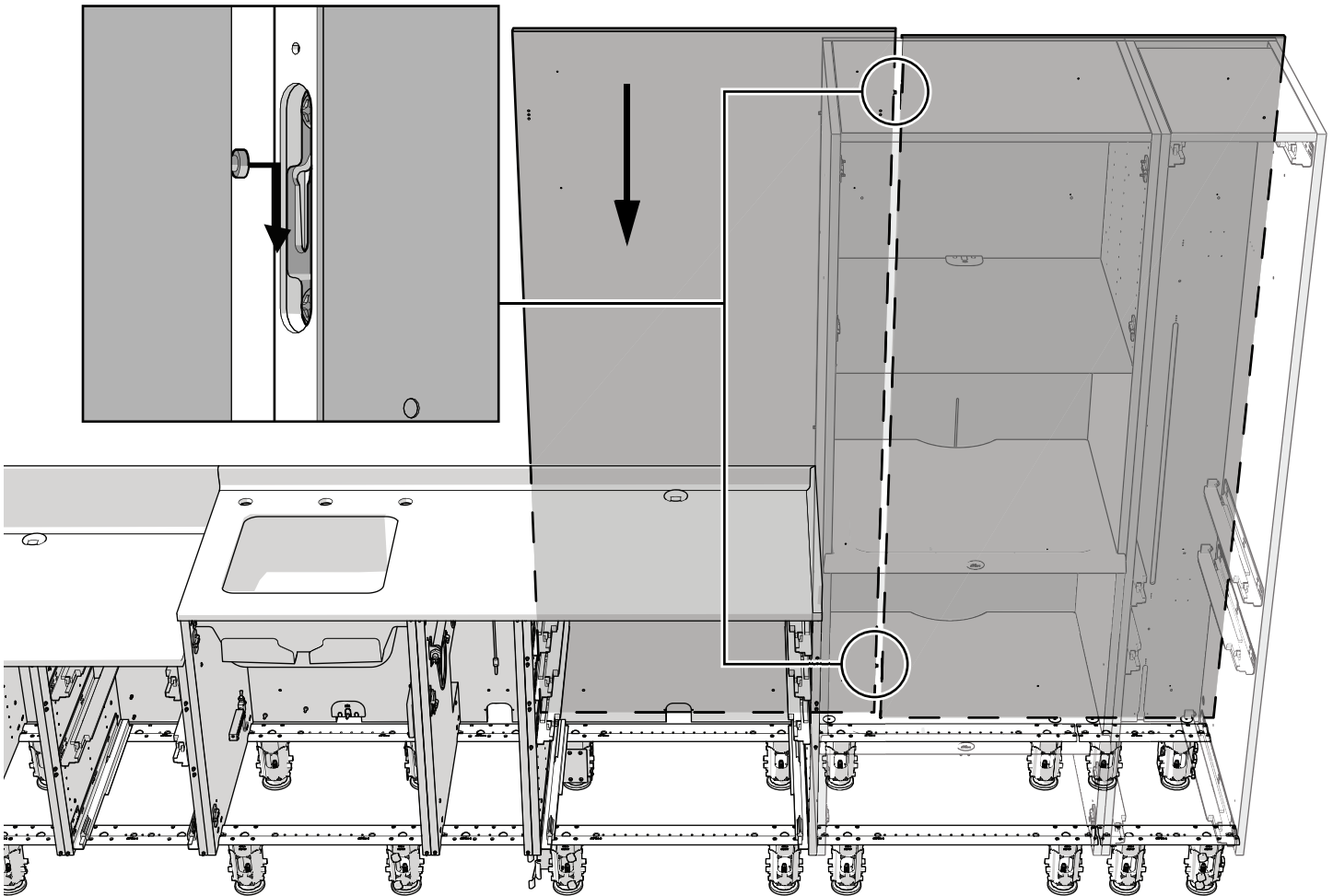
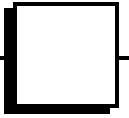


- 2 Looking from inside the cabinet, position the finished back on the stops so its holes align with the holes in the lowers/towers.



NOTE When positioned correctly, the end of the back for curved and flat end-caps extends past the end of the tower a little less than an inch (25 mm).

- 3 Loosely secure the first finished back to the lower/tower. Four fasteners per lower, eight fasteners per tower.



- 4** Align the pins on the side of the second back with the slots in the side of the first back and slide it down until the second back is on the bracket.
- 5** Loosely secure the second back to the lower/tower. The tops of the backs should be flush with each other.



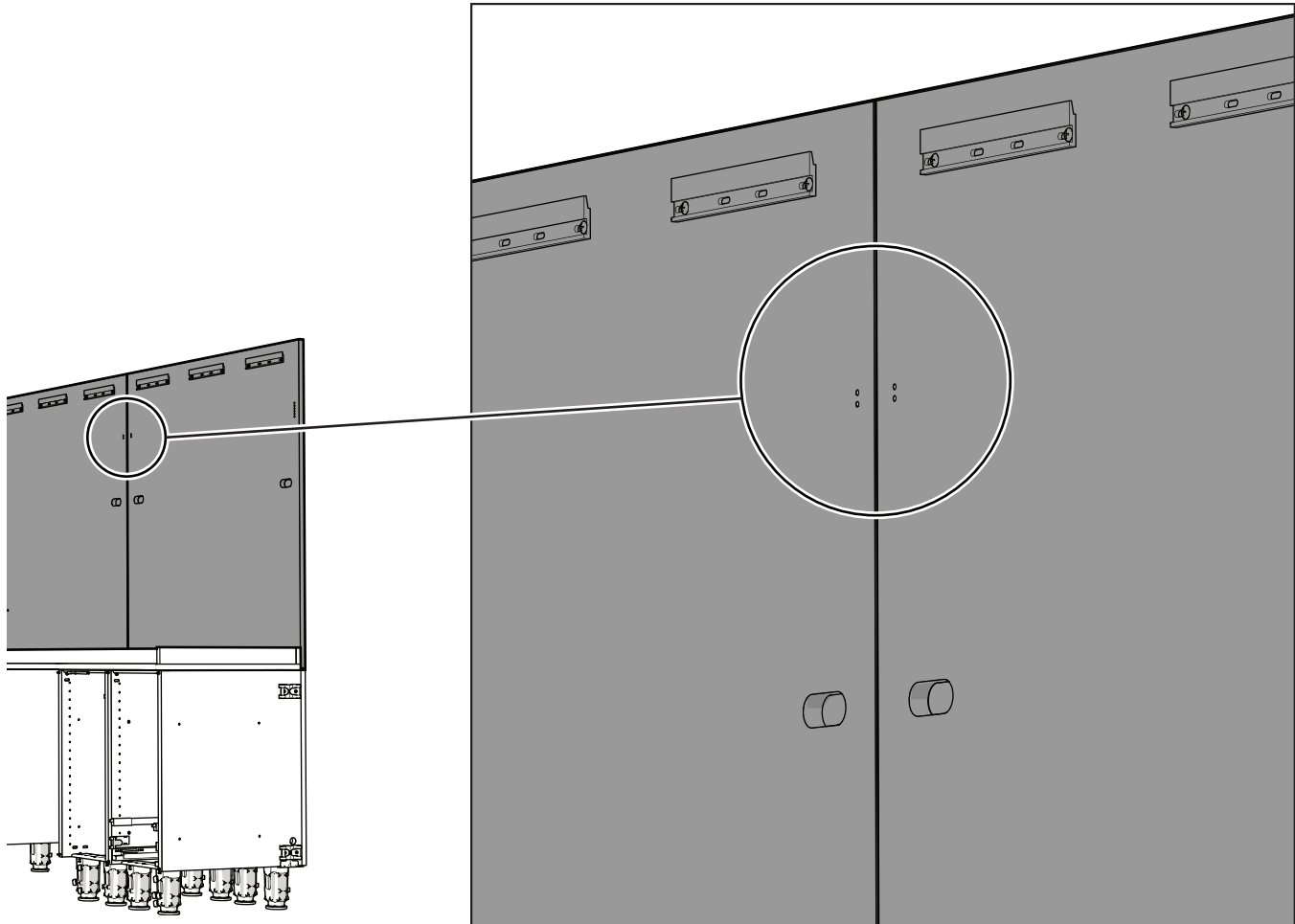
TIP If the tops of the finished backs are not flush, this is an indication that the cabinet is not fully level. Use the leveling screws (in the cabinet's feet) to help align the screw holes and the tops of the finished backs. See the tip on page 17 for more information.

- 6** Repeat steps 4 and 5 to install the rest of the backs. The highest number of indicator holes should be on the edge of the last back installed, by the end of Receiving and Cleaning.
- 7** Go back and securely fasten the backs to the lower/towers.

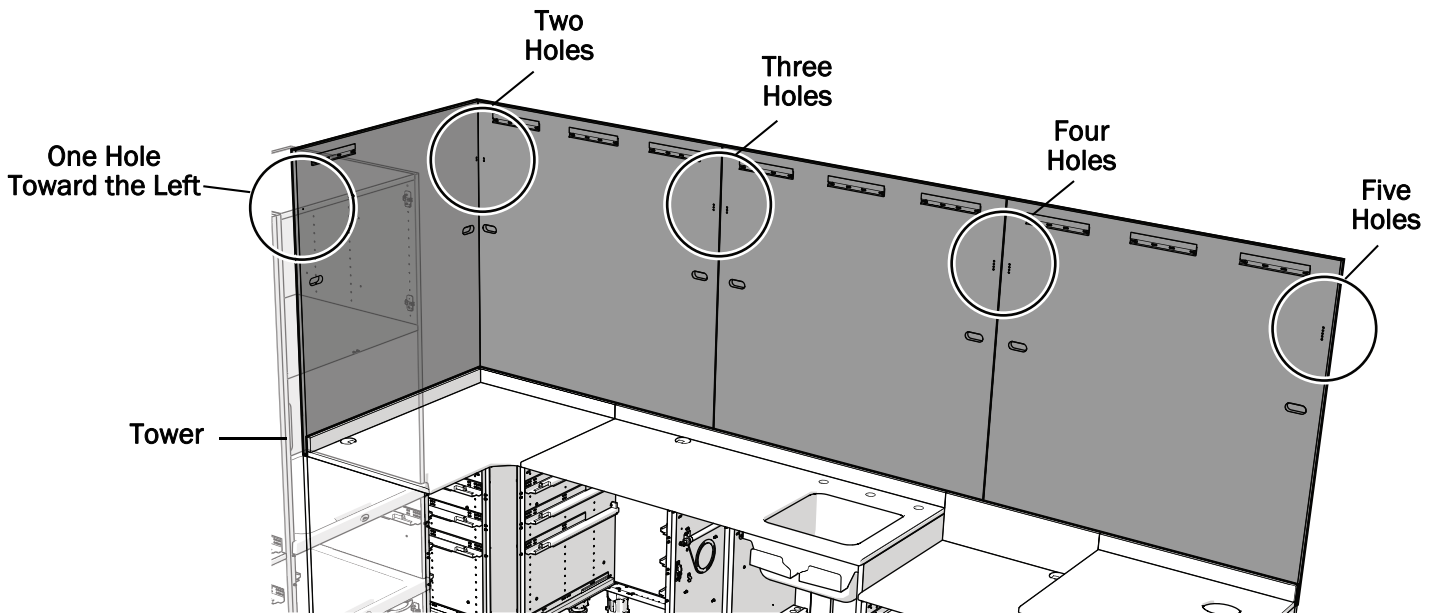
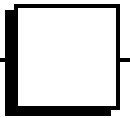
F Install the Wall Panels

Place the Wall Panels

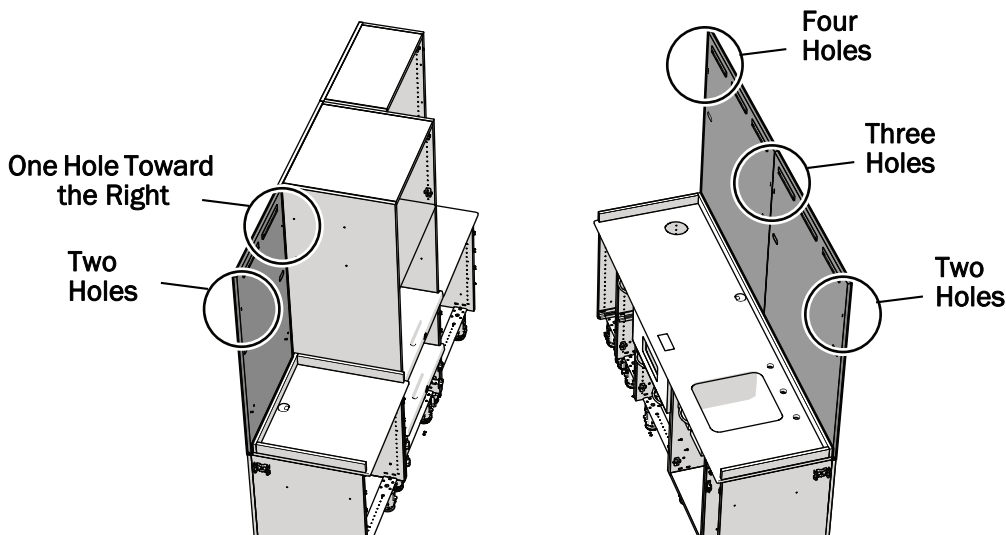
Order of the Panels



Wall panels are marked with small indicator holes toward their sides near the top to note their order of installation. Match the number of indicator holes to adjacent panels.

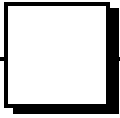


L-Shaped Configuration

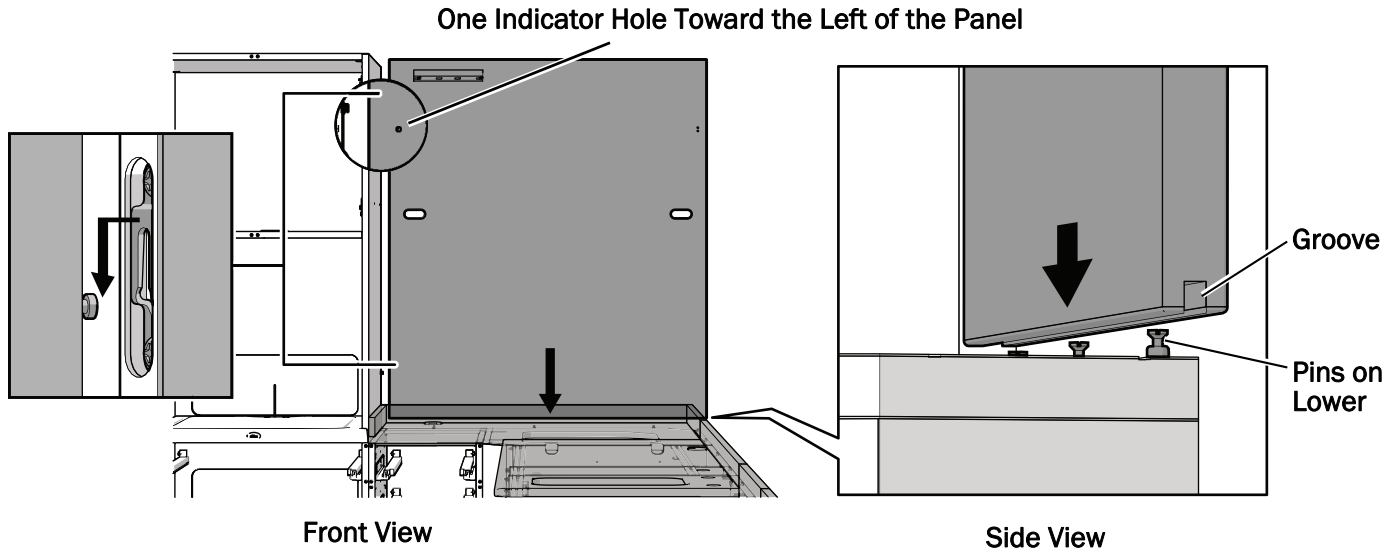


Galley Configuration

- 1** Place the panel with one indicator hole onto the lower next to a tower. The single indicator hole should be next to the tower.
- 2** To place the remaining panels, match the number of holes for each adjacent panel. When beginning the second galley run, continue the flow matching the number on the last panel of the first run.



Install the Wall Panels



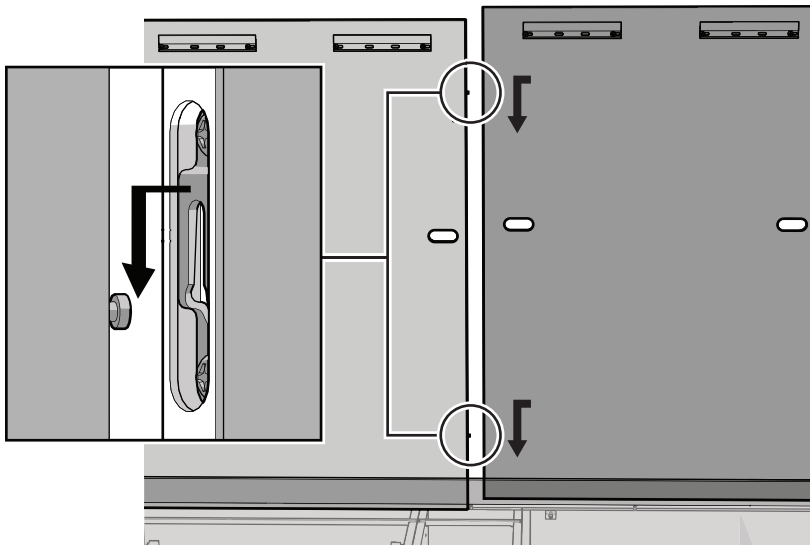
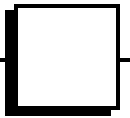
- 1 Align the slots on the side of the panel that has one indicator hole with the pins in the side of the tower and slide it down until the panel's groove is over the pins on the lower.



NOTE You may need to adjust the position of the countertops to properly fit the wall panels.



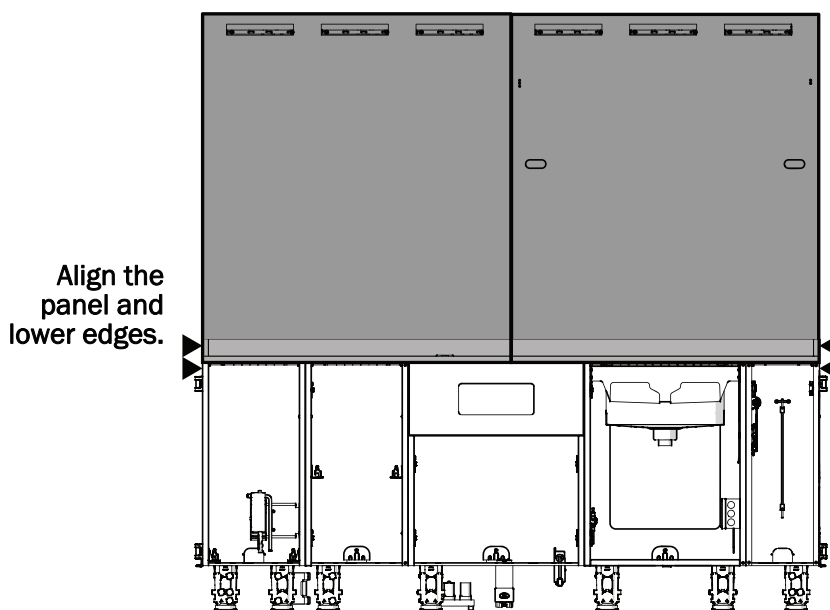
TIP Galleys Only: For some configurations, temporarily secure the wall panel to the structural wall to provide stabilization while positioning the panels.



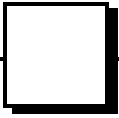
- 2** Align the slots on the side of the second panel with the pins in the side of the first panel and slide it down until the second panel's groove is over the pins on the lower.
- 3** Repeat step 2 for the rest of the panels.



TIP If the tops of the wall panels are not flush, this is an indication that the cabinet is not fully level. Use the leveling screws (in the cabinet's feet) to help align the screw holes and the tops of the finished backs. See the tip on page 17 for more information.



- 4 Galley configurations only** - If the wall panels are on a run that does not include towers, align the wall panel edges with the edges of the lowers.



Anchor the Wall Panels



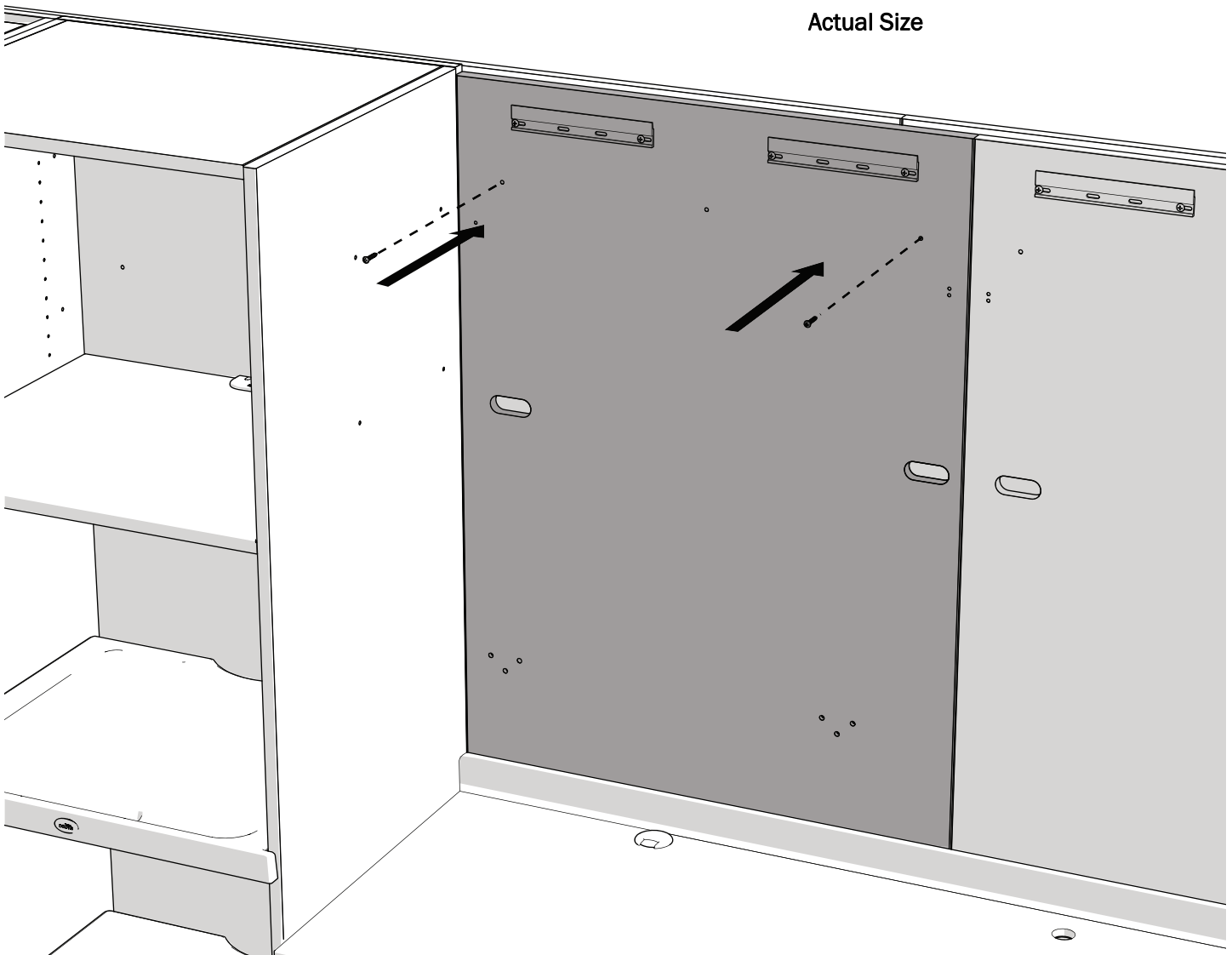
NOTE Place all of the wall panels before beginning to anchor them.

Complete the following instructions for the system's configuration.

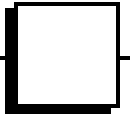
Anchor Wall Panels to Finished Backs (Straight Runs and Galleys only)



Actual Size



- 1** Wall panels include two to four pre-drilled holes located below the cleats. In the outermost pre-drilled holes, use two screws to secure the wall panel to the finished back.



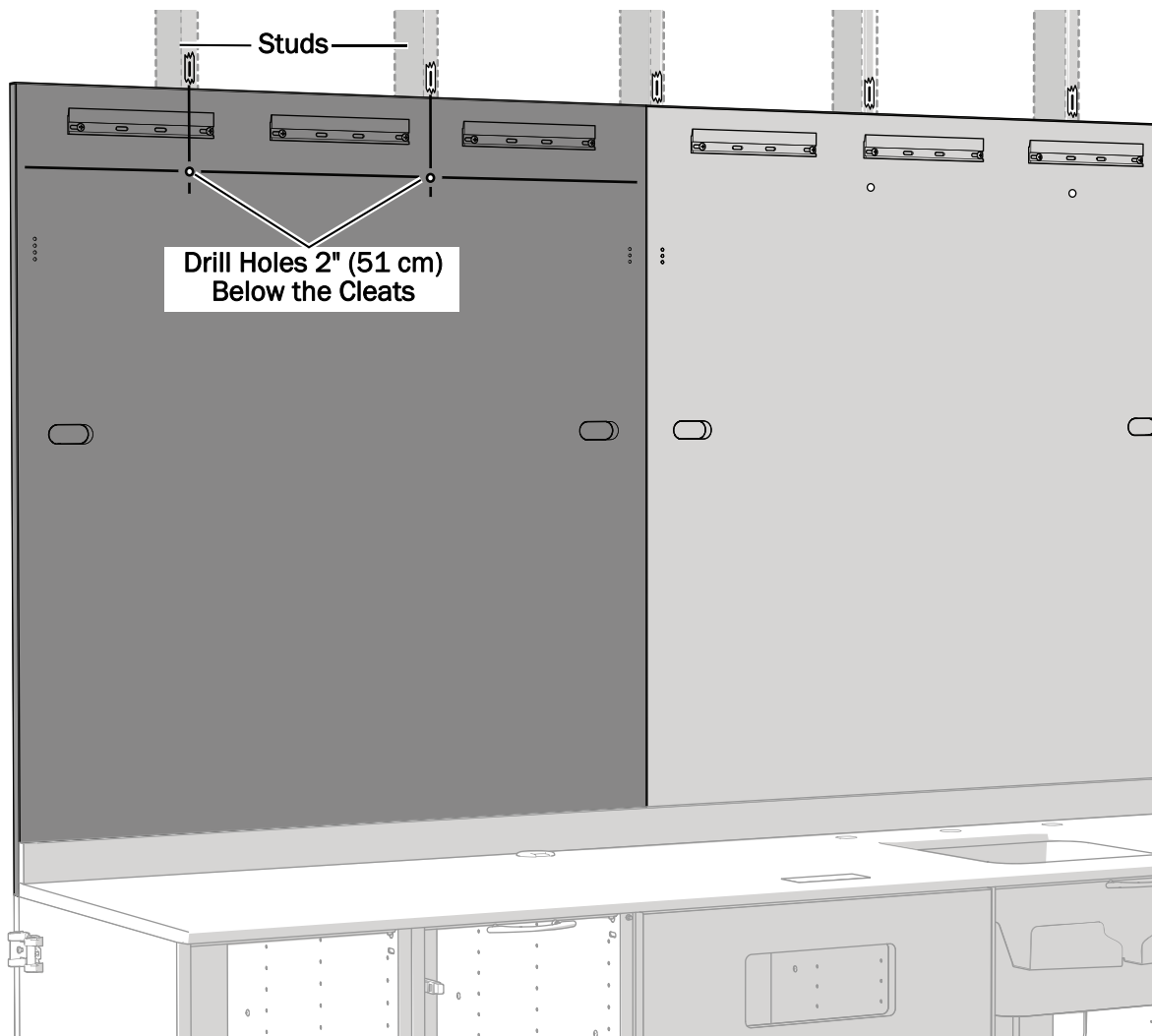
Anchor Wall Panels to Structural Walls

Install two fasteners per wall panel into the available studs in the structural wall.



NOTE If the structural wall is not plumb and flat, use the provided shims at the anchor locations to true the wall panel while anchoring it to the structural wall. Score and break off the shims above the panels.

Prepare the Holes for the Fasteners

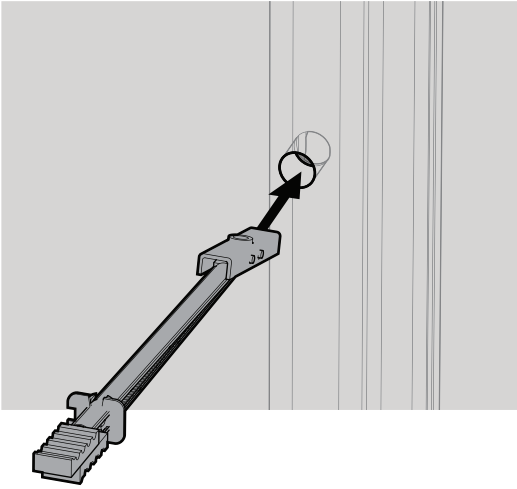
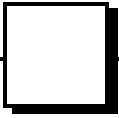


Holes for Wood Studs

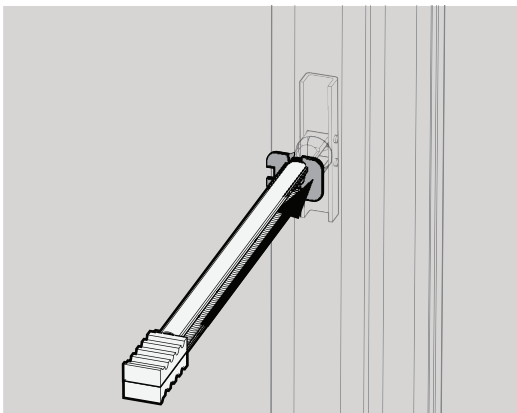
- 1** At 2" (51 cm) below a cleat, use a 3/16" drill bit to drill a hole through the wall panel into a stud. Repeat this for another stud behind the panel.
- 2** Use a 5/16" drill bit to increase the size of the holes in the wall panel only. Do not drill into the stud. This creates clearance for the hex fastener.

Holes for Metal Studs

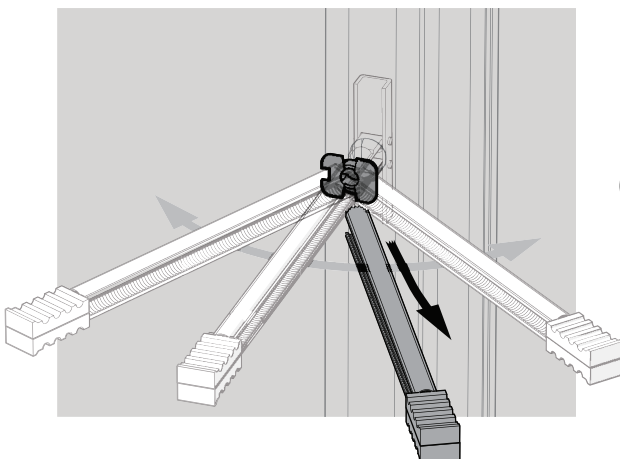
- 1** At 2" (51 cm) below a cleat, use a 1/2" drill bit to drill a hole through the wall panel and into a stud. Repeat this for another stud behind the panel.



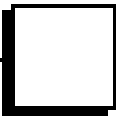
- 2** Hold the metal catch of the toggle anchor flat against the plastic strap.
- 3** Push the catch fully through the holes in the wall and stud.



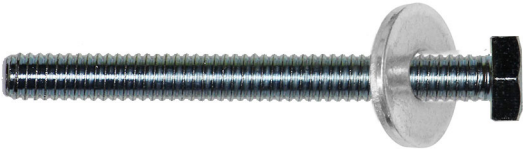
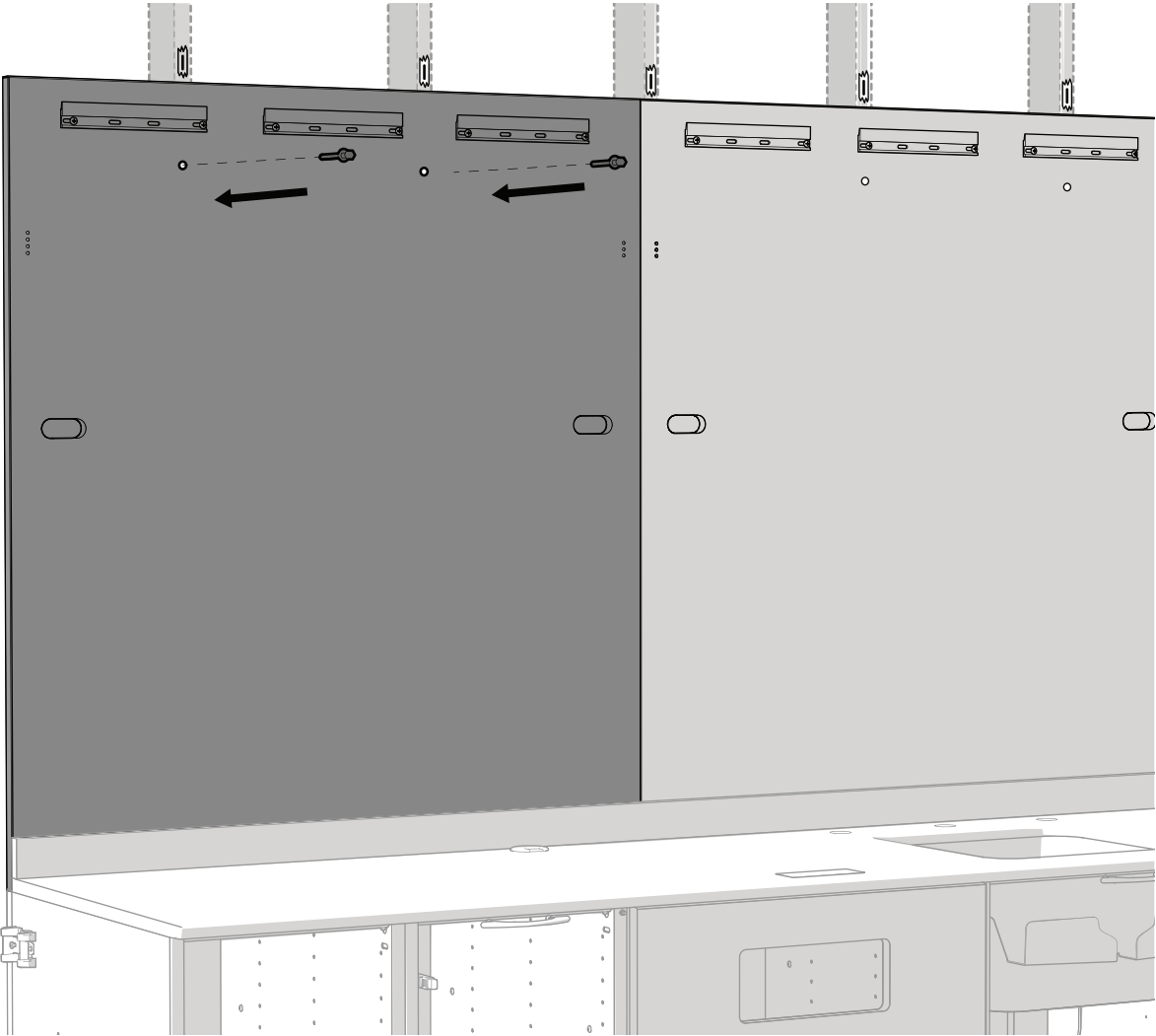
- 4** Pull the handle of the toggle anchor straight out.
- 5** Slide the plastic cap down the plastic strap until the cap is flush with the wall.



- 6** Rock the strap side to side, snapping it off at the wall.



Secure the Wall Panel to the Structural Wall



Hex Fastener for Metal - Actual Size



Hex Fastener for Wood - Actual Size

- 1** Install the washers onto the hex fasteners.
- 2** Install a hex fastener into each hole and use a 7/16" socket and ratchet to securely tighten.

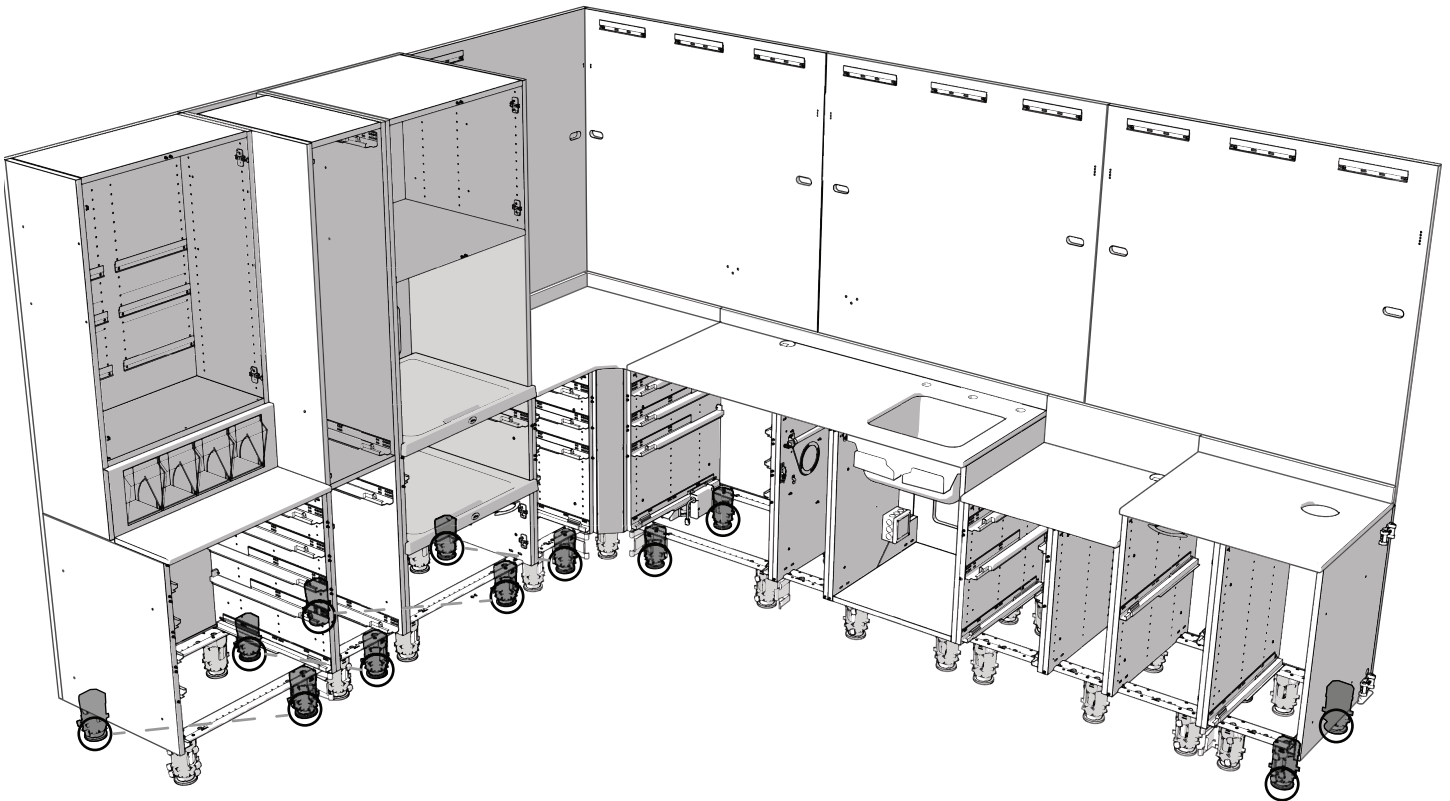
G Anchor the Cabinet to the Floor

Determine the Anchor Locations

Place anchors in the following positions according to the type of cabinet module.



NOTE If your location requires additional anchoring support because of seismic requirements or structural codes, contact A-dec Customer Service for additional anchors.



Straight Run of Lowers

Four anchors, one in each corner.

Lower Next to a Tower

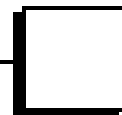
Two anchors, one in front and one in back.

Towers

Two anchors, one in front and one in back, on each tower.



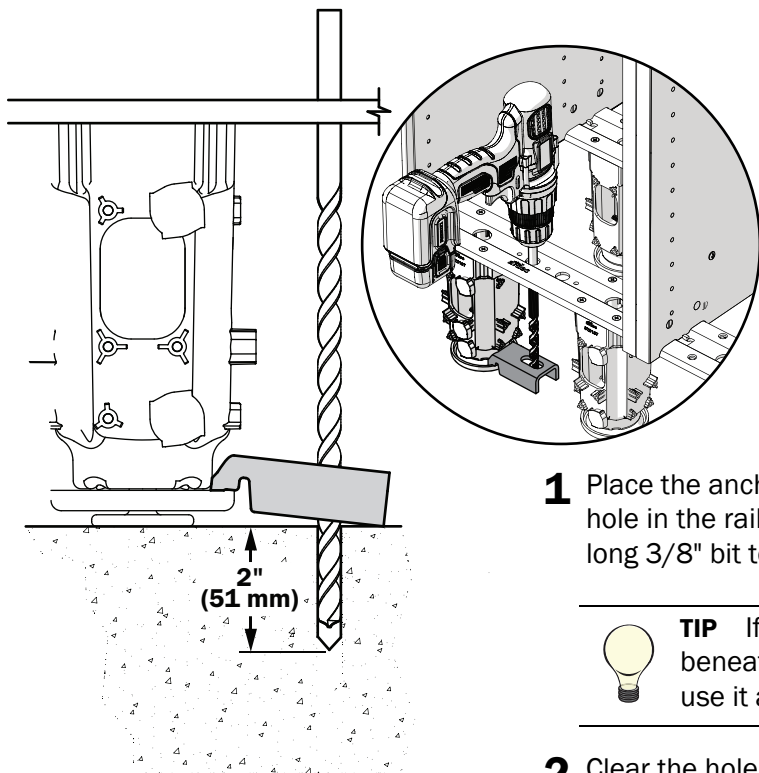
NOTE The lower corner and the corner tower do not get anchored. Additional anchors may be provided for extended length sections.



Secure the Anchors

At each anchor location, complete the steps in the section for the type of floor. See the next page for wood floors.

Concrete Floors

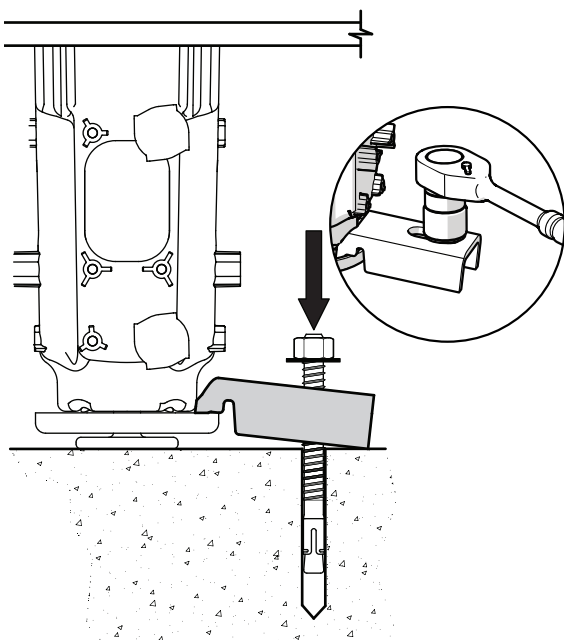


WARNING If the flooring material is not at least 4" (101.6 mm) thick, consult a licensed contractor about adding reinforcement to the flooring.

- 1 Place the anchor on the foot or support column and align it with a hole in the rail. Through the holes in the rail and anchor, use a 10" long 3/8" bit to drill a hole a minimum of 2" (51 mm) deep.

TIP If you need to place the anchor in a location other than beneath the rail hole, position the anchor on the foot and use it as a template for drilling the hole.

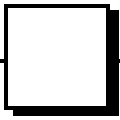
- 2 Clear the hole of all debris.



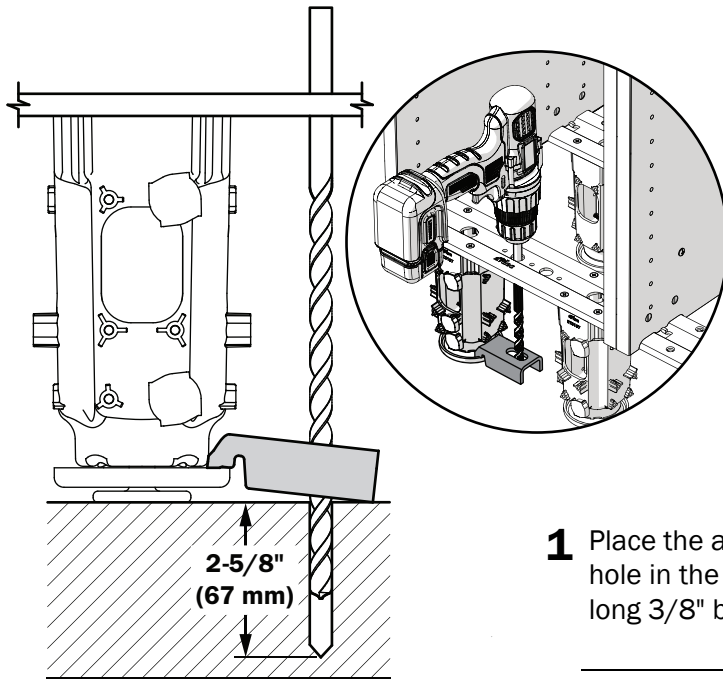
- 3 Place the washer and nut on the anchor bolt, then insert the bolt through the anchor into the hole.
- 4 Drive the bolt into the hole until the washer is touching the anchor.

TIP Use a 1/2" (12.7 mm) dowel or anchor drill hammer bit to help drive the anchor bolt.

- 5 Use a 9/16" socket and ratchet to tighten the nut until it is snug against the anchor.



Wood Floors

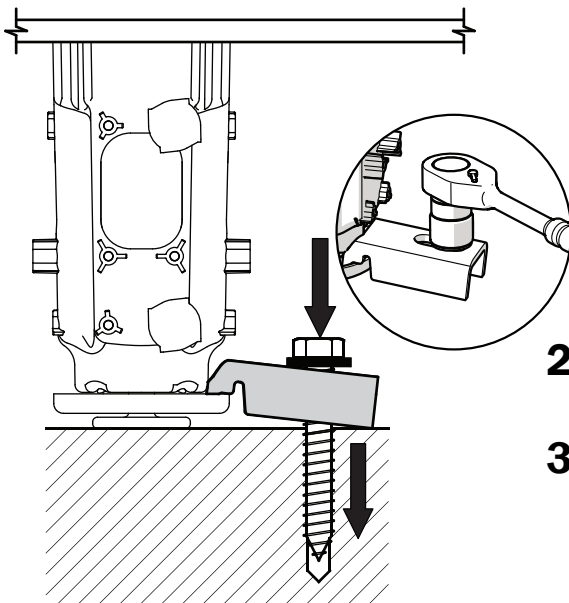


WARNING If the flooring material is not at least 3" (76.2 mm) thick, consult a licensed contractor about adding reinforcement to the flooring.

- 1** Place the anchor on the foot or support column and align it with a hole in the rail. Through the holes in the rail and anchor, use a 10" long 3/8" bit to drill a hole a minimum of 2-5/8" (67 mm) deep.

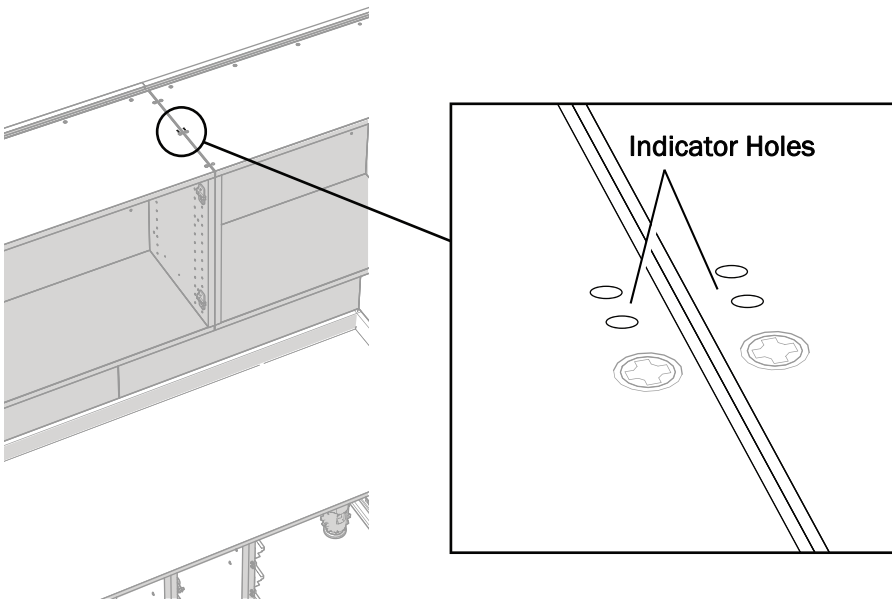


TIP If you need to place the anchor in a location other than beneath the rail hole, position the anchor on the foot and use it as a template for drilling the hole.

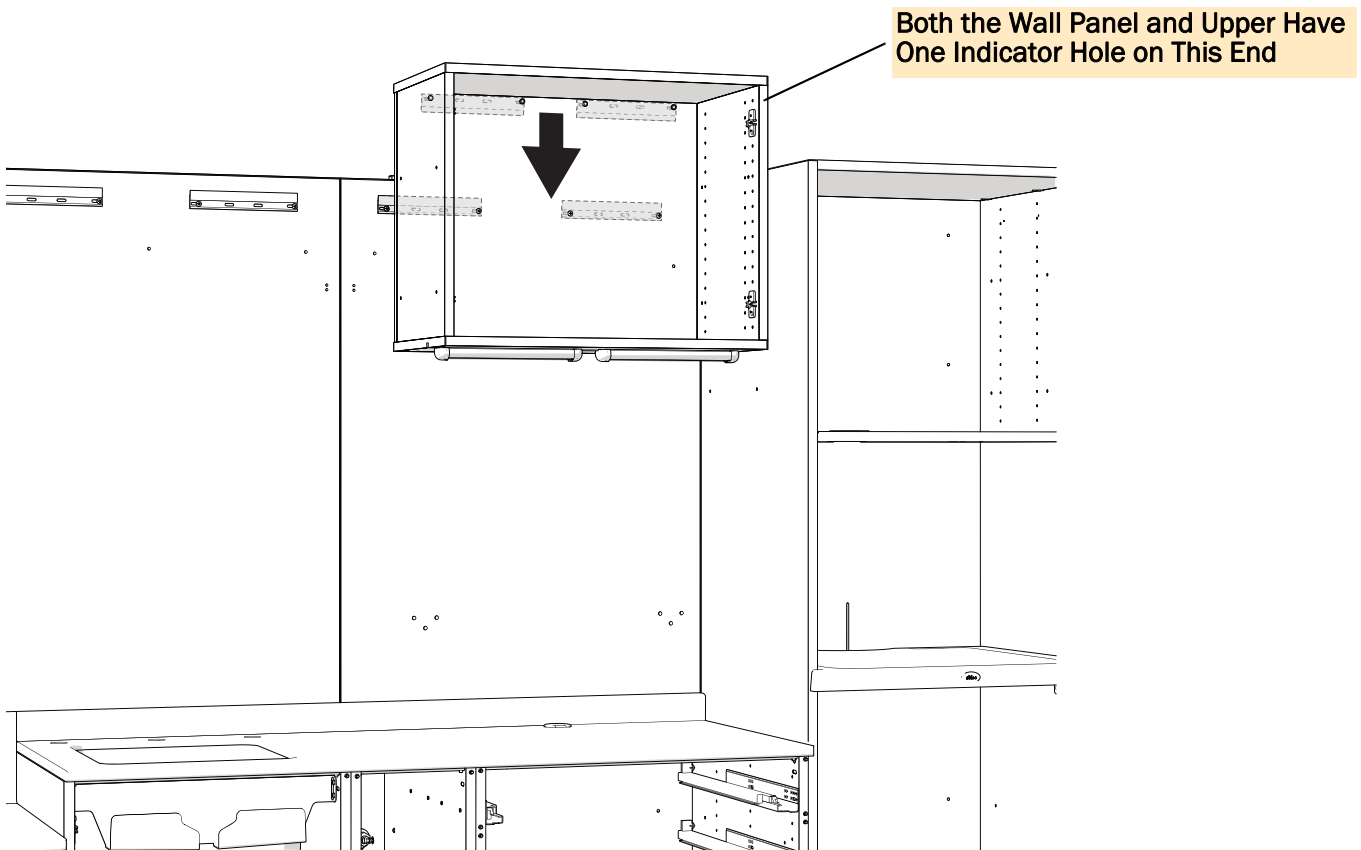


- 2** Place the washer on the anchor bolt, then insert the bolt through the anchor into the hole.
- 3** Use a 3/4" socket and ratchet to tighten the bolt until it is snug against the washer and firmly secures the cabinet to the floor.

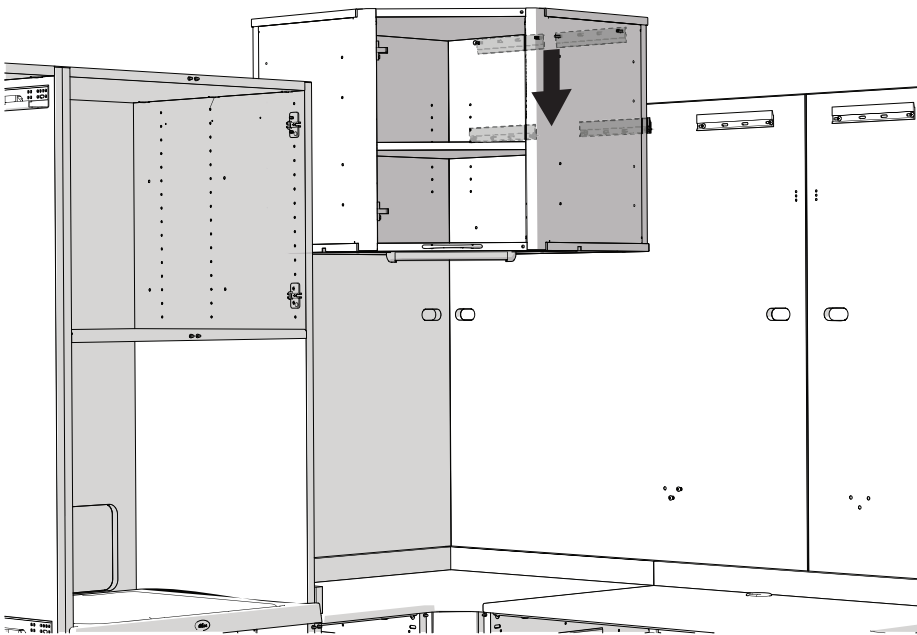
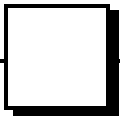
Install the Uppers



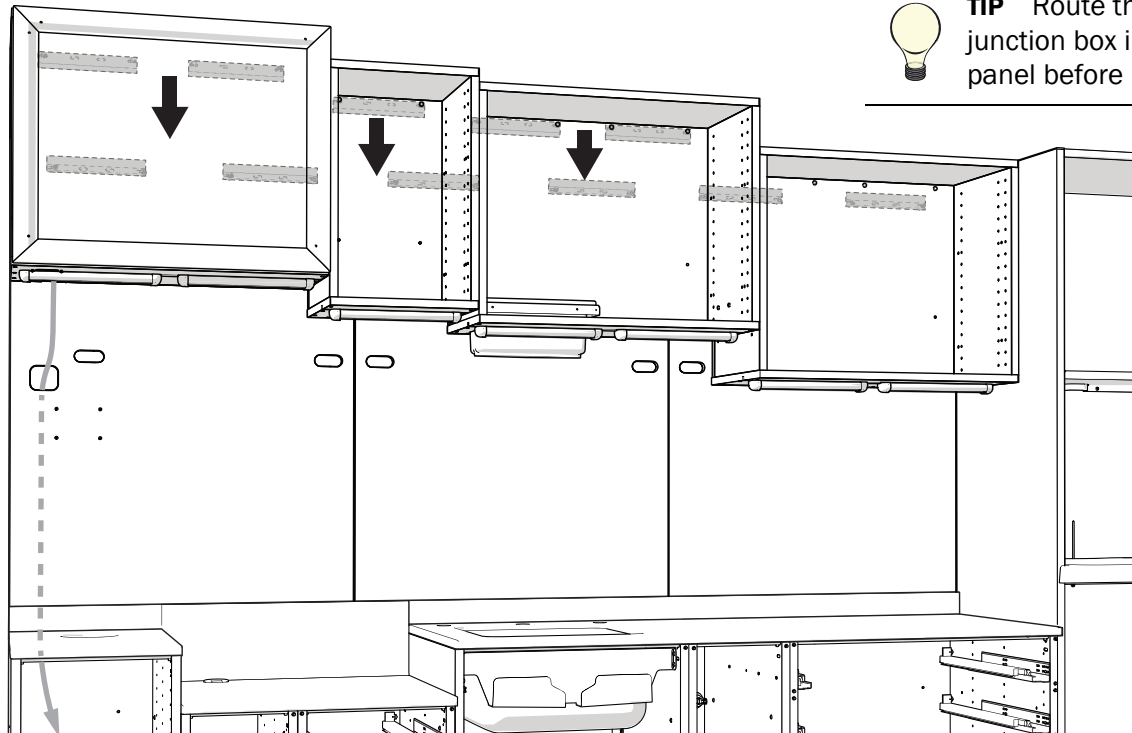
Uppers are marked with small indicator holes on their tops toward their sides to note their position in the installation. Match the number of indicator holes to adjacent uppers.



1 Place the upper with one indicator hole on the edge of the wall panel with one indicator hole.



2 L- and U-Shaped configurations only - Place the upper corner on the cleat.

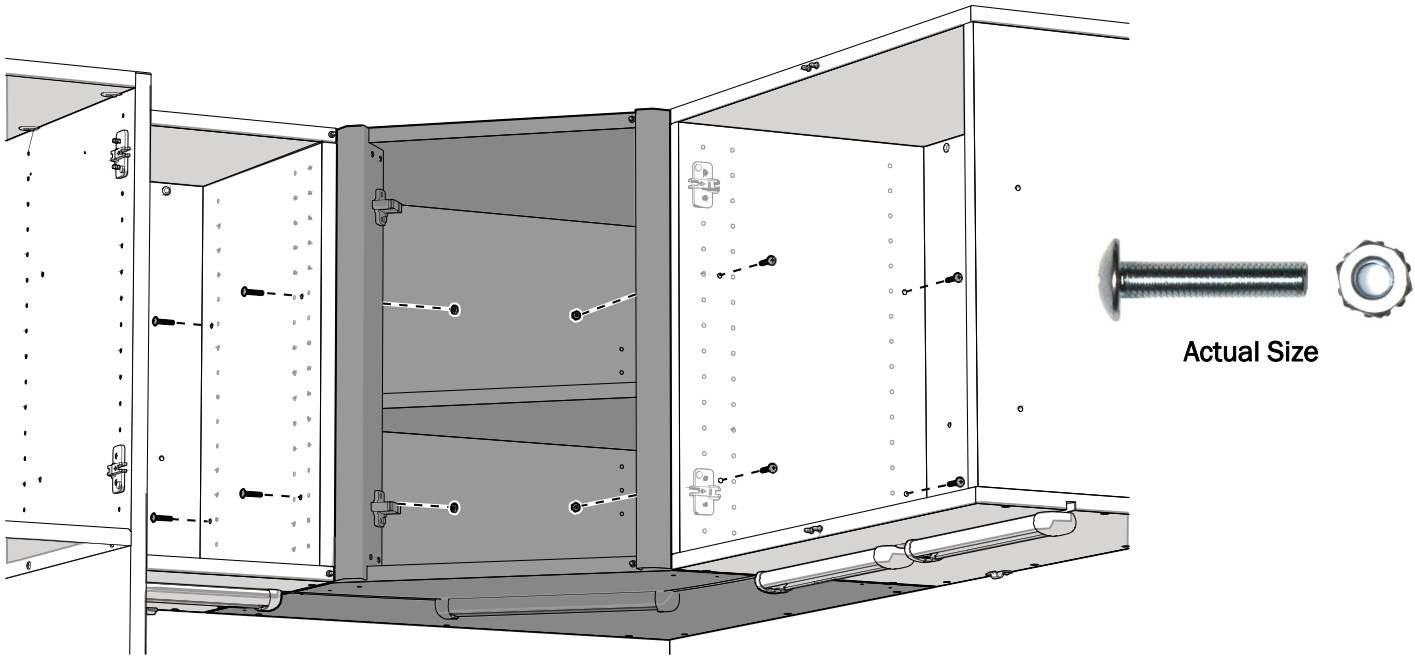
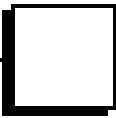


TIP Route the cables from the junction box into the hole in the wall panel before installing the upper.

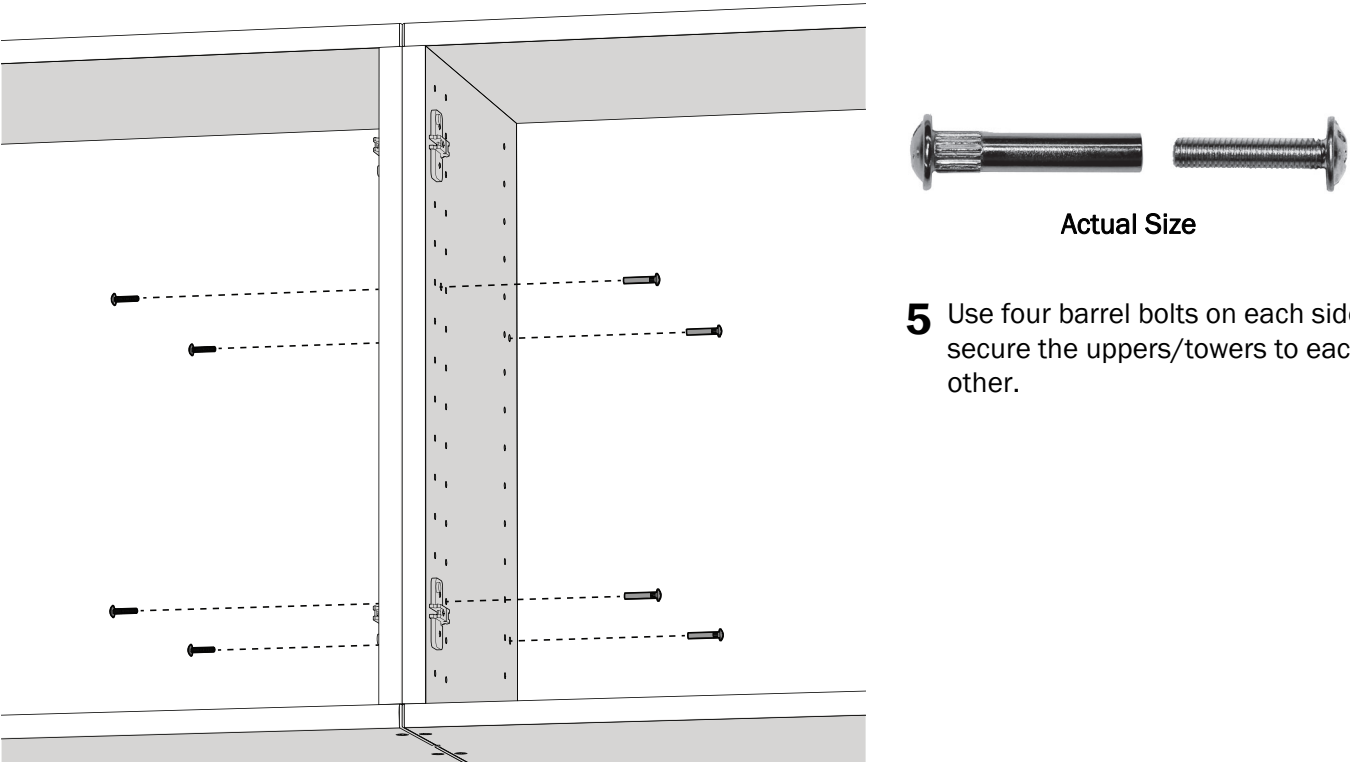
3 Place the rest of the uppers. Match the number of indicator holes on each adjacent upper. When beginning the second galley run, continue the flow matching the number on the last upper of the first run.



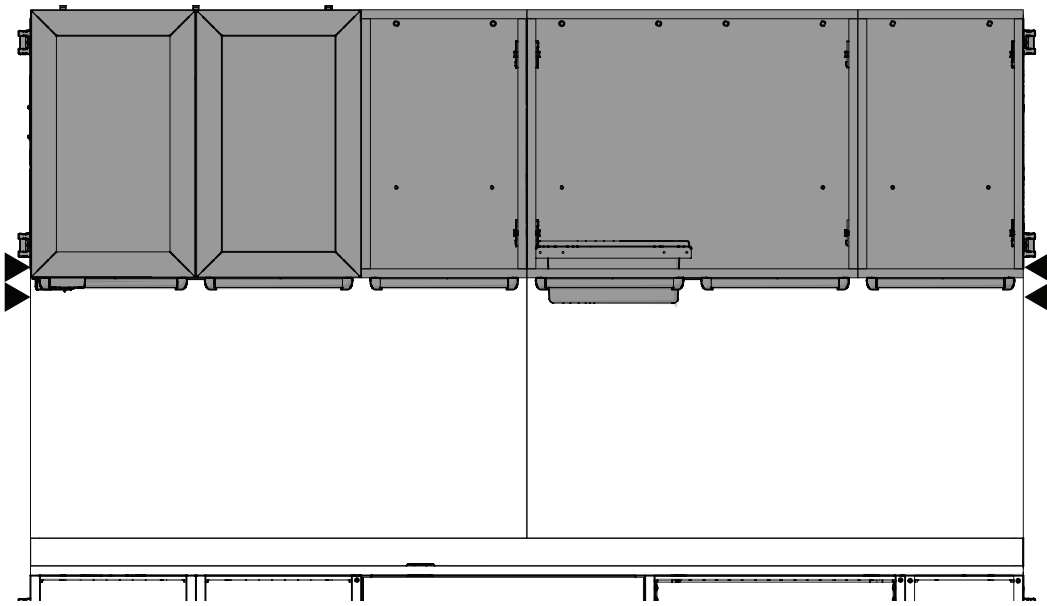
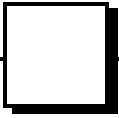
TIP Refer to the images of the configured product that are included in the quote packet to confirm the correct location of each upper.



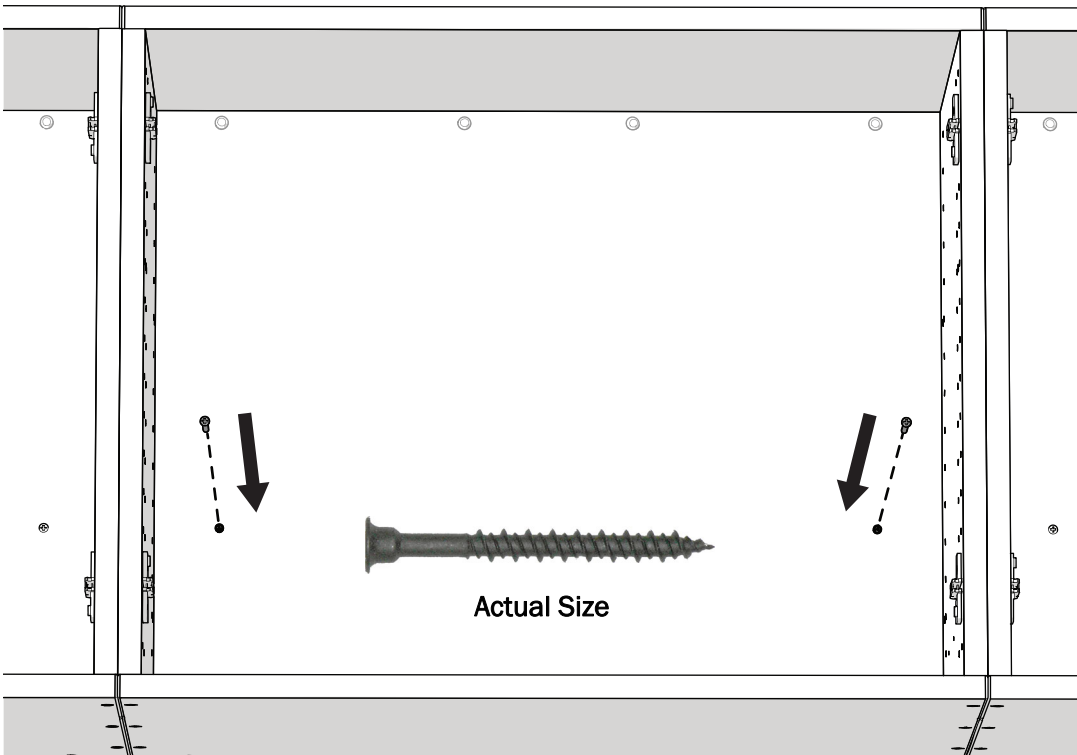
4 L- and U-Shaped configurations only - Use 8 bolts and nuts to secure the uppers to the upper corner.



5 Use four barrel bolts on each side to secure the uppers/towers to each other.



6 Galley configurations only - In sections without towers, make sure the run of uppers is centered on the wall panels.

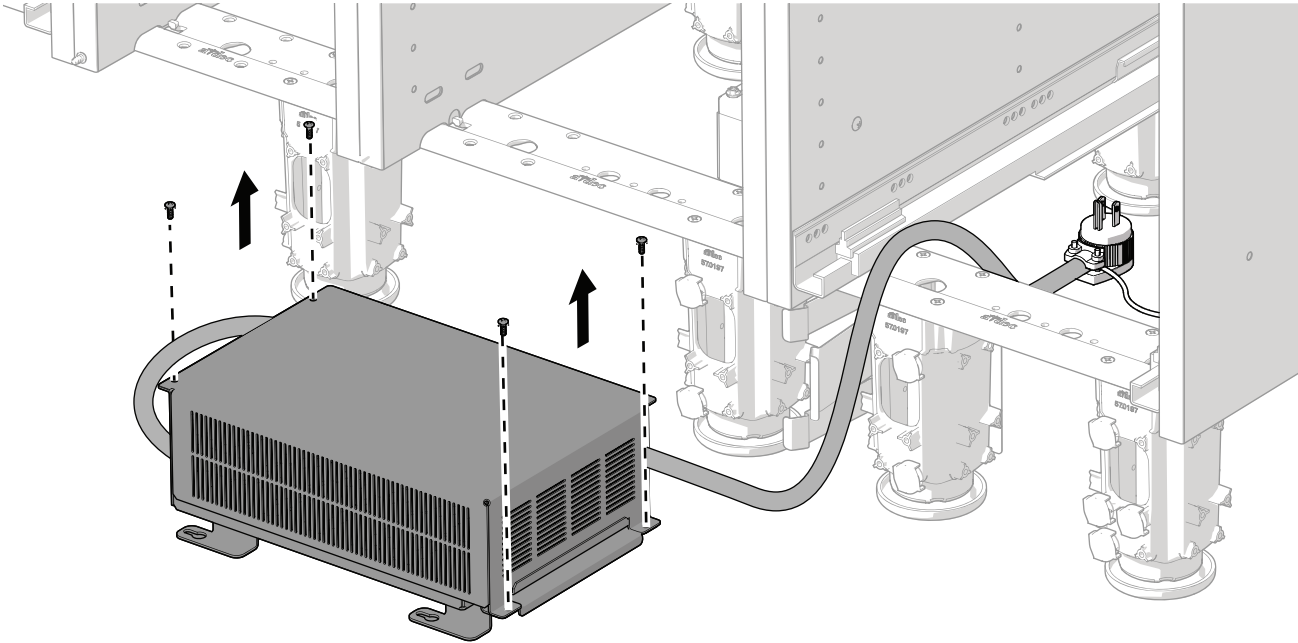


7 In each upper, use two stabilization screws through pre-drilled holes to secure the upper to the wall panel.

Connect the Wires

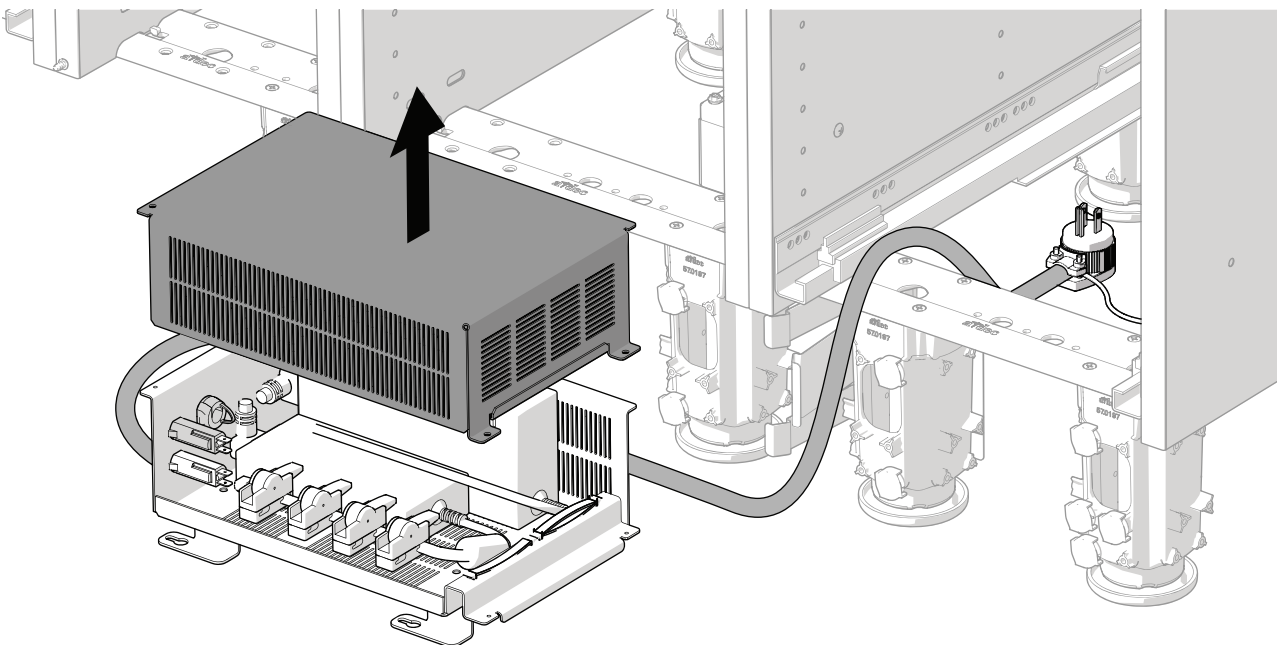


Access the Power Box

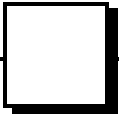


TIP To provide easier access for making connections, position the power box outside of the end of Receiving.

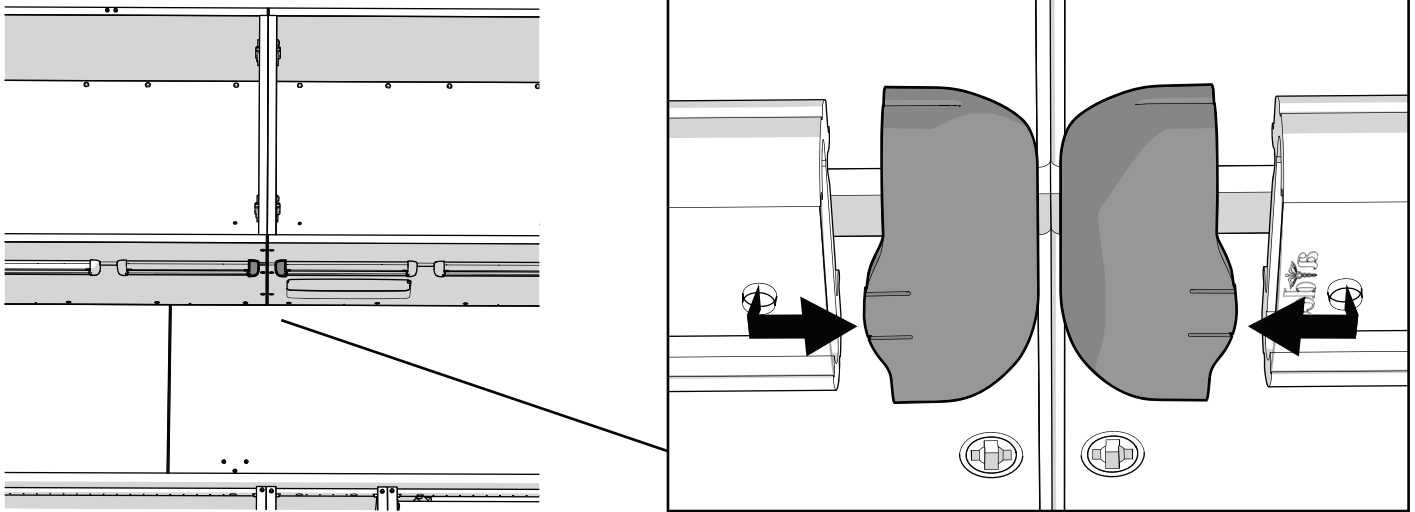
- 1** Remove the four screws securing the lid.



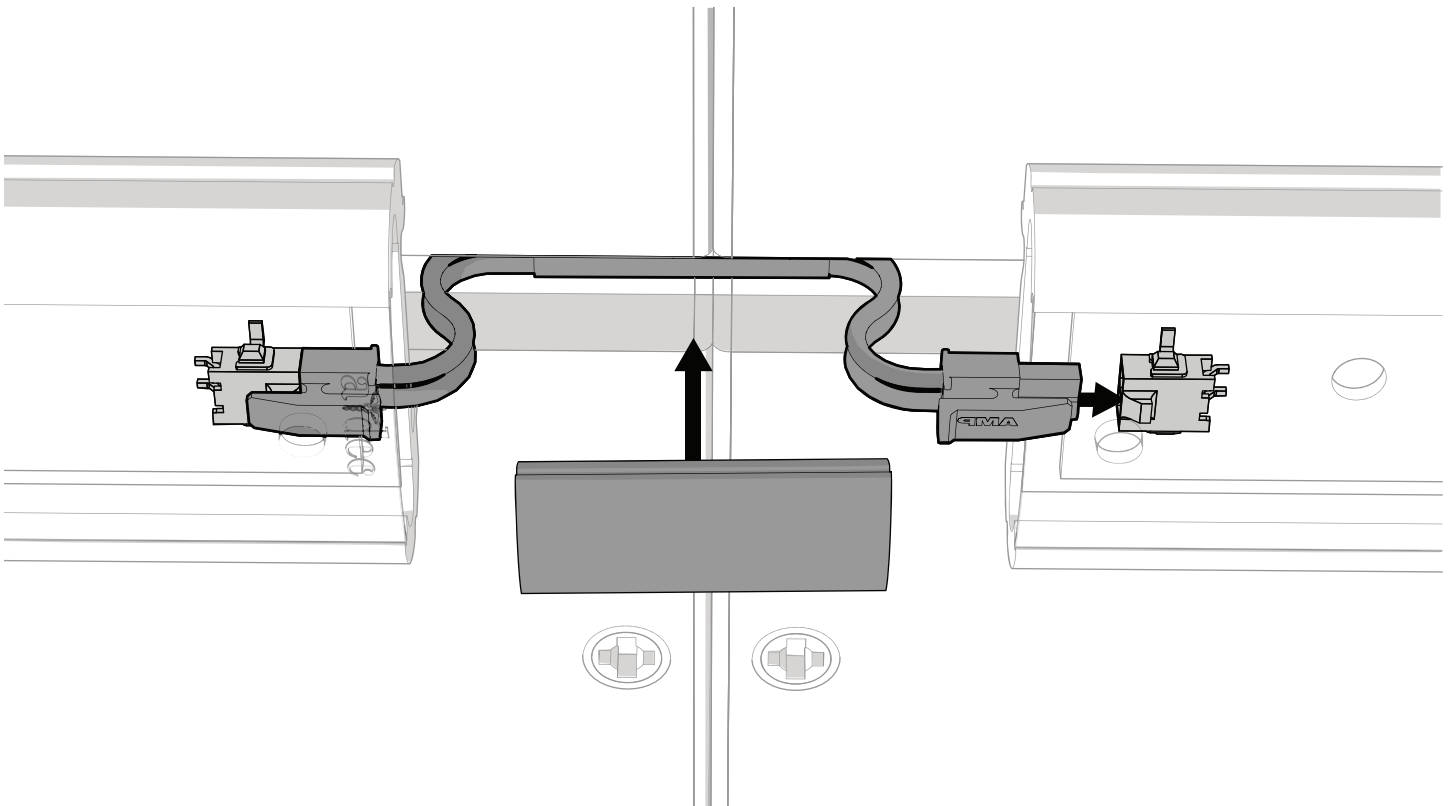
- 2** Remove the cover.



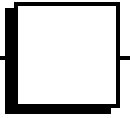
Connect the Adjacent Task Lights



- 1** Between the uppers, pull down on the tab and slide the caps off of the ends of the task lights.

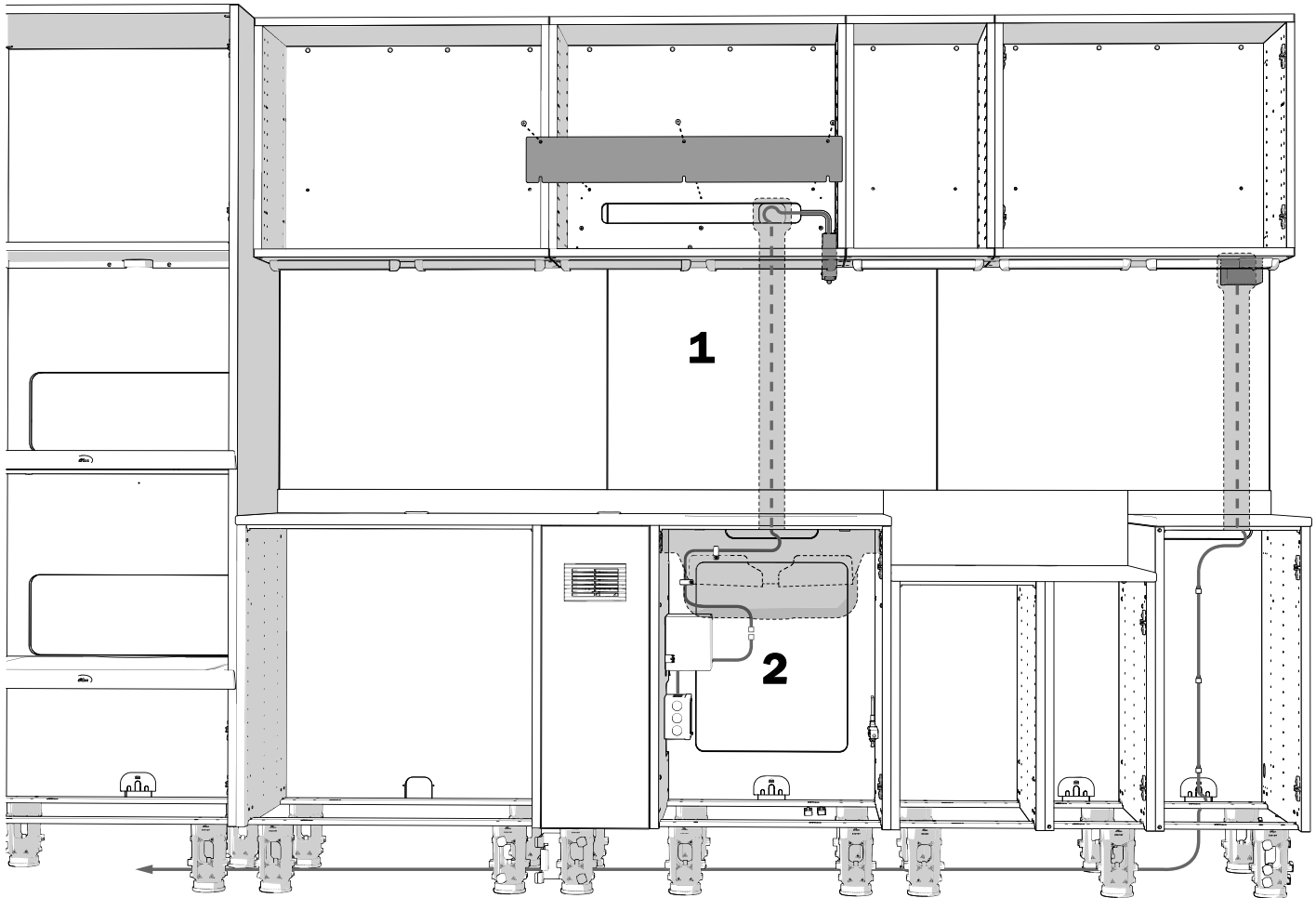


- 2** Plug in the wires to connect the task lights of adjacent uppers.
- 3** Insert the wires into the chase, install the chase cover, and replace the end caps.
- 4** Repeat steps 1 through 3 until all adjacent task lights are connected to each other.

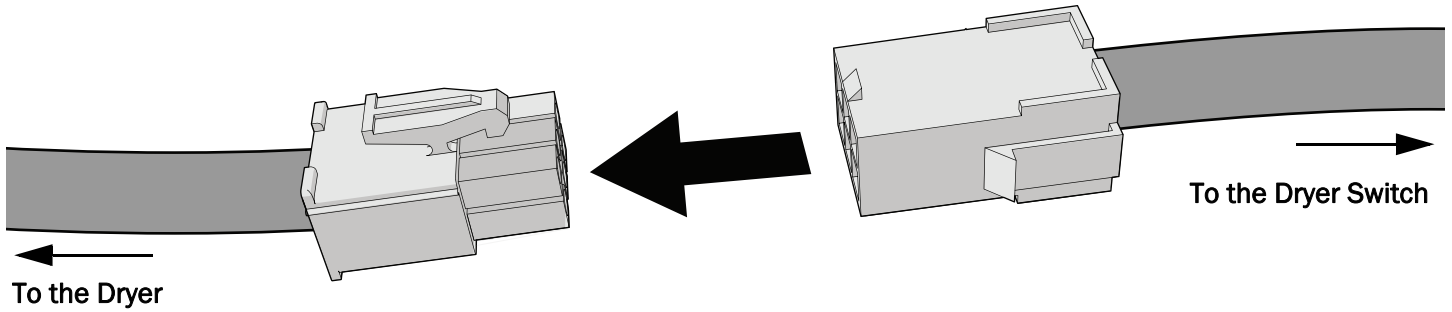
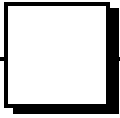


Route the Wires, Cables, and Tubing

Route and Connect the Dryer Switch Wires (if present)

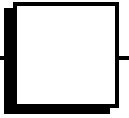


- 1** Remove the cover plate to access the center channel.
- 2** Route the dryer switch cable down the center channel into the lower cabinet.
- 3** Continue routing the cable to the control box in the sink module. Use the clips to secure the cable.
- 4** Reinstall the cover plate.

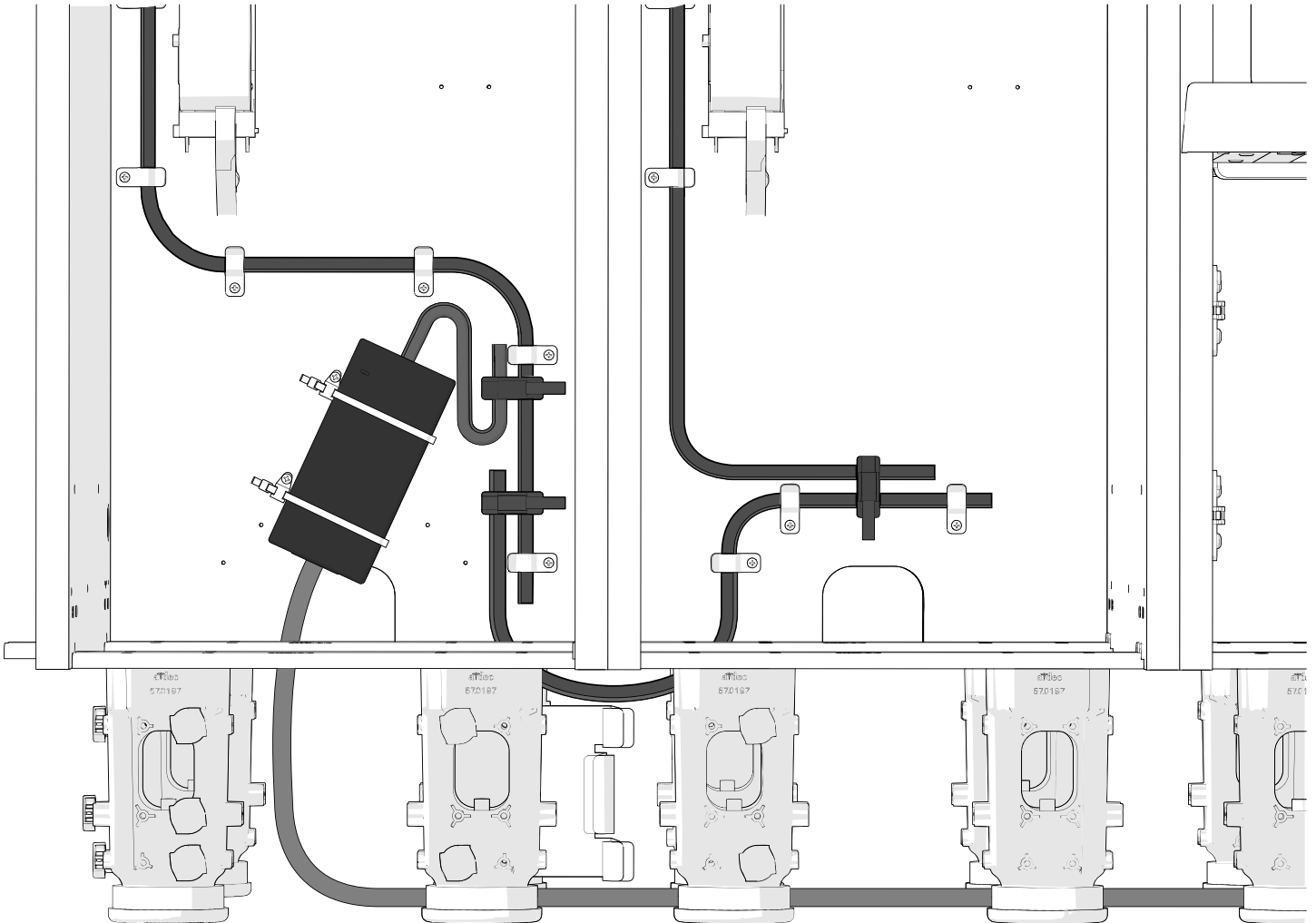


CAUTION When the optional dryer is selected, the cabinet (dryer and lighting) must be connected to a dedicated 20 amp 120 VAC circuit. To prevent nuisance tripping of the circuit breaker and to ensure proper operation of the dryer, no other loads can be included on this circuit.

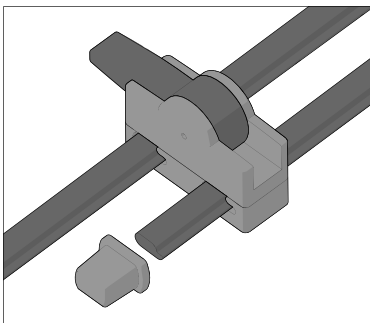
5 Connect the white 6-pin connectors.



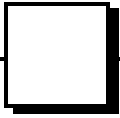
Connect and Route the Cable in a Tower Containing a Power Brick



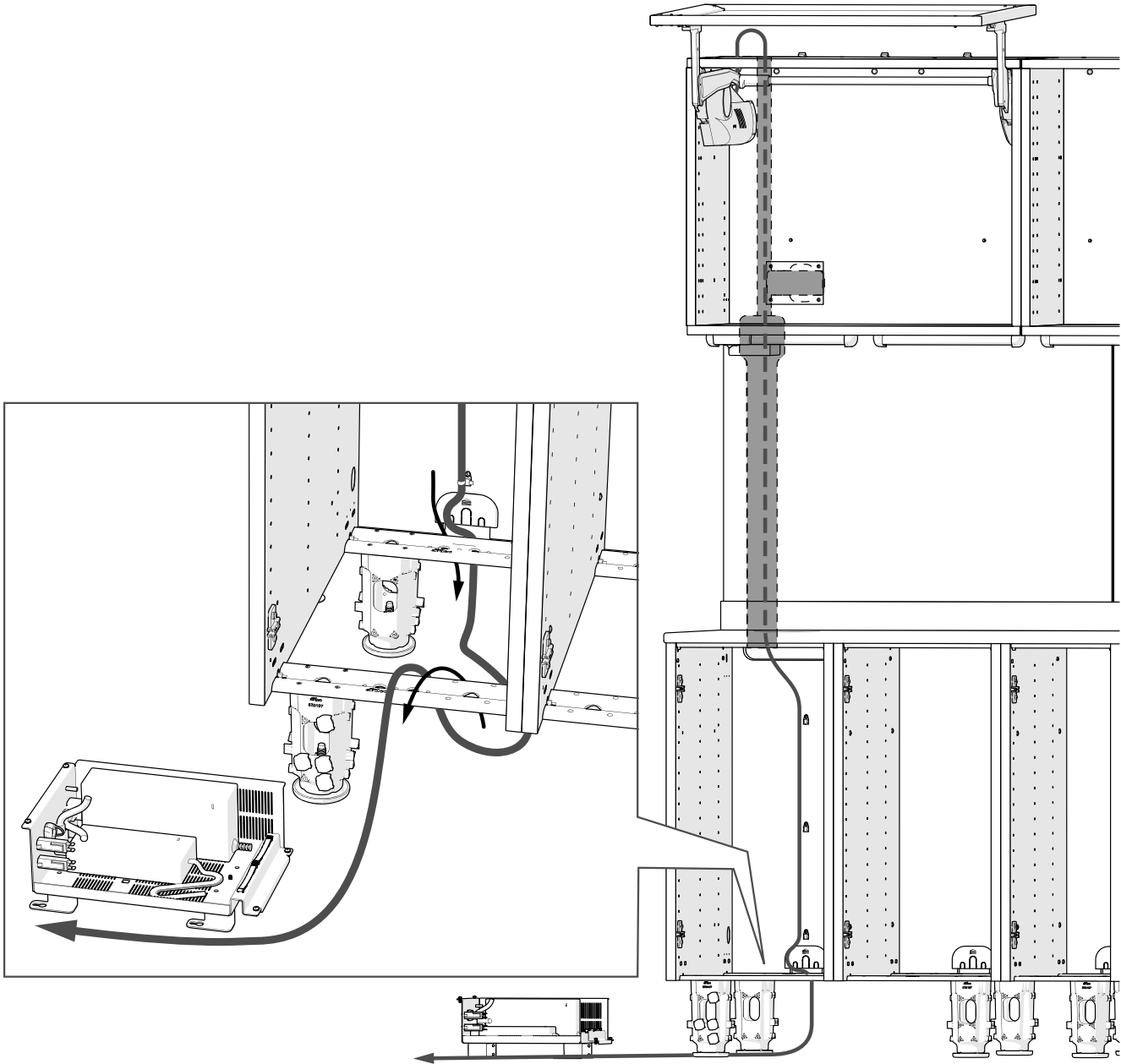
- 1** Connect the servos to the power brick with universal connector and, if necessary, daisy chain the wiring to the additional unit.
- 2** Route the wire from the power brick down through the bottom of the cabinet and along the cabinet behind its feet to the connection for power.



- 3** Install the gray end caps on the cables.

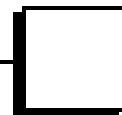


Route the Upper Wires, Cables, and Tubing

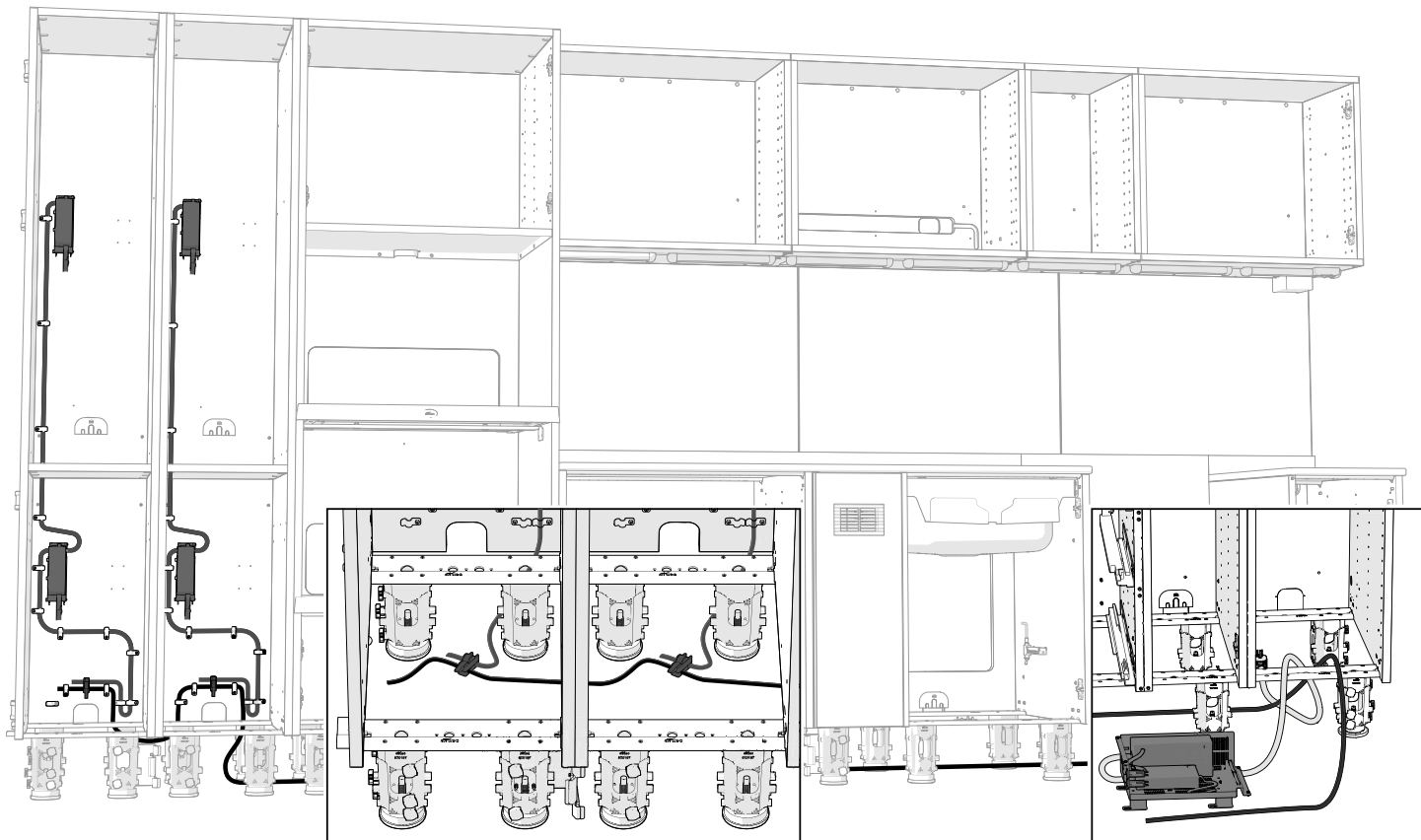


CAUTION To avoid pinching by the false bottoms, route all wires, cables, and tubing behind the back rail when first entering the bottom of the lower cabinet.

- 1** Route all of the wires, cables, and tubing from the uppers down the channel in the wall, through the hole in the lower, behind the back rail, and under the cabinet to the power box.

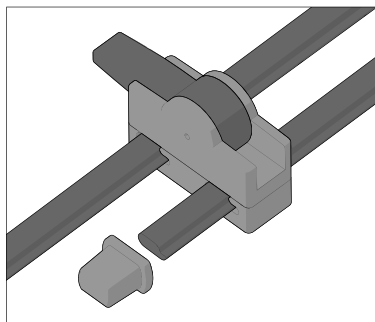


Route the Lowers, Towers, and Galley Wires and Cables

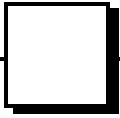


CAUTION To avoid pinching by the false bottoms, route all wires, cables, and tubing behind the back rail when first entering the bottom of the lower cabinet.

- 1 Route all of the wires and cables under the cabinet to the power box.

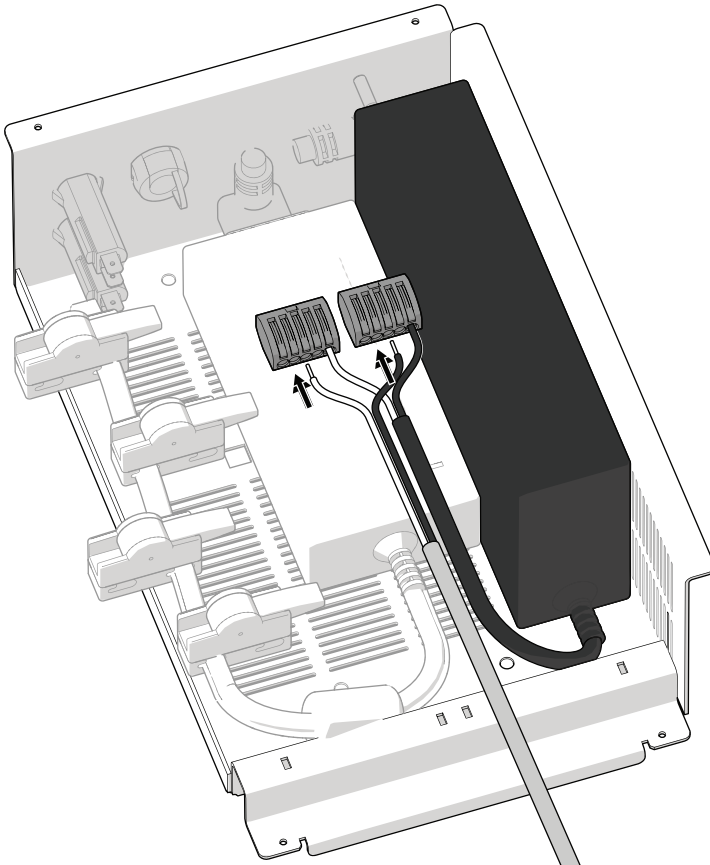


- 2 Install the gray end caps on the cables.



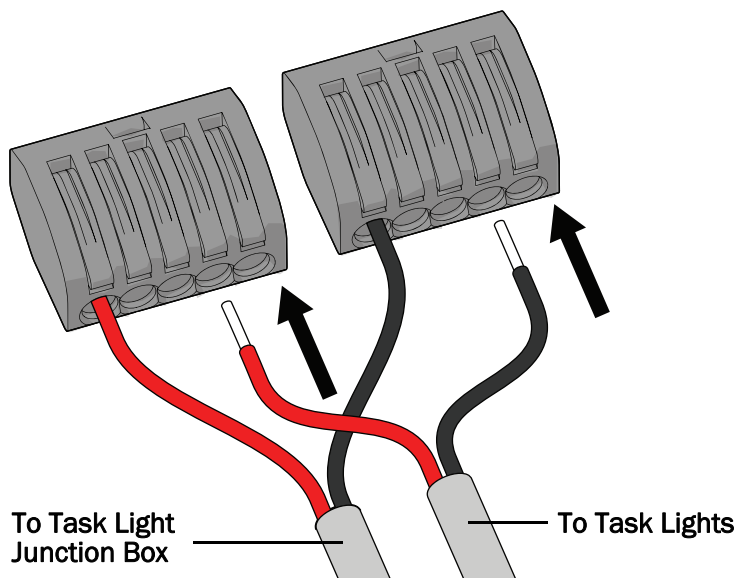
Connect the Wires and Cables

Connect the Task Light Switch

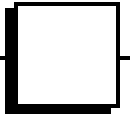


- 1** In the power box, connect the black wire from the task light switch to the wire connector connected to the black wire coming from the power supply.
- 2** Connect the white wire from the task light switch to the wire connector connected to the white wire coming from the power supply.

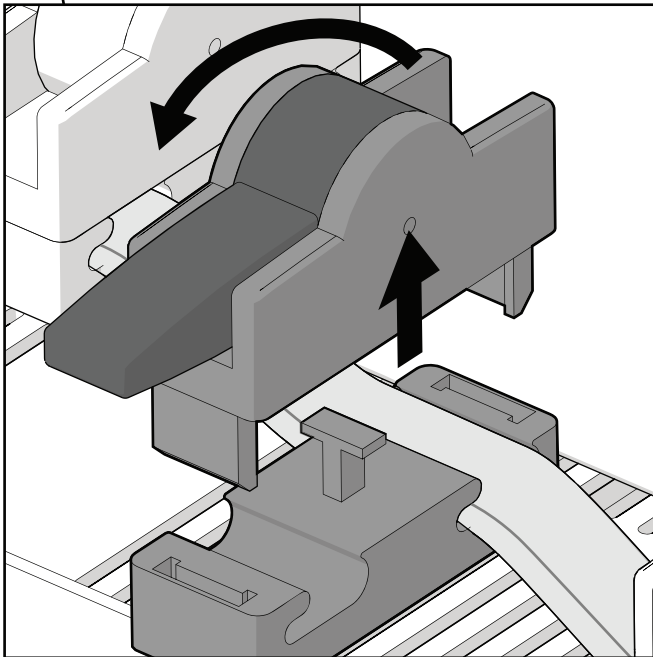
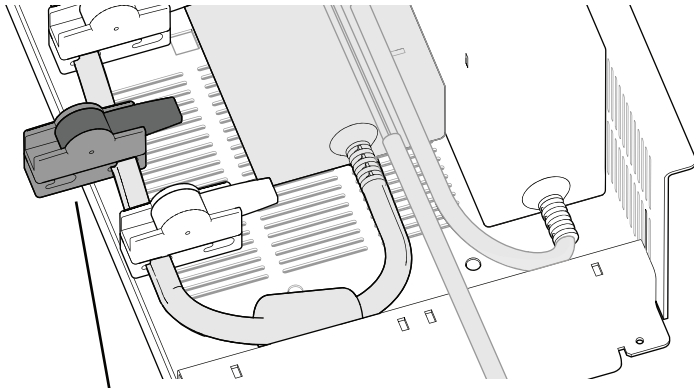
Connect the Task Light Wires (Galley Configurations with Upper Lighting on Leg 2)



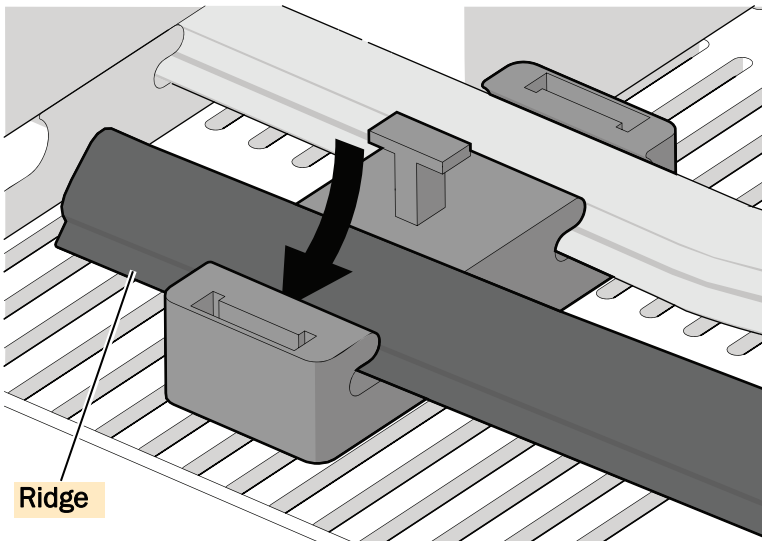
- 1** Connect the black task light wire to the wire connector connected to the black wire coming from the task light junction box.
- 2** Connect the red wire from the task light switch to the wire connector connected to the red wire coming from the task light junction box.



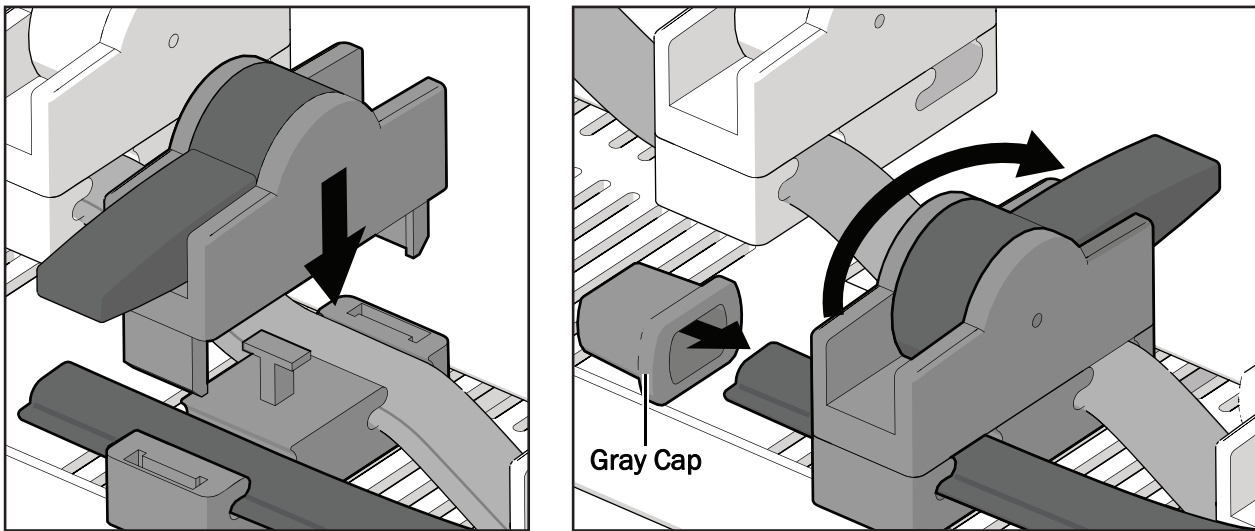
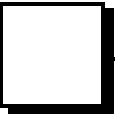
Connect the Servo Cables



- 1** Lift the lever to open the servo cable connector.

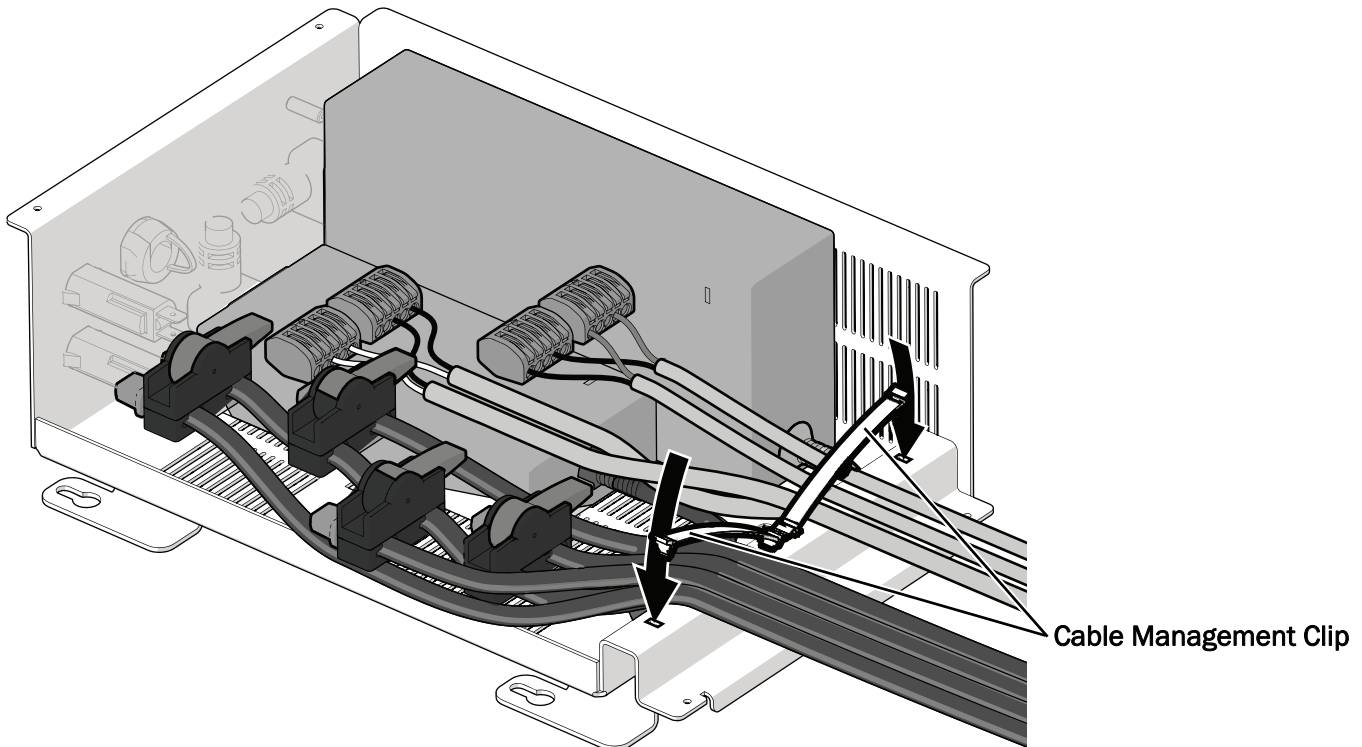


- 2** Insert the ridge of the cable into the slot in the connector.

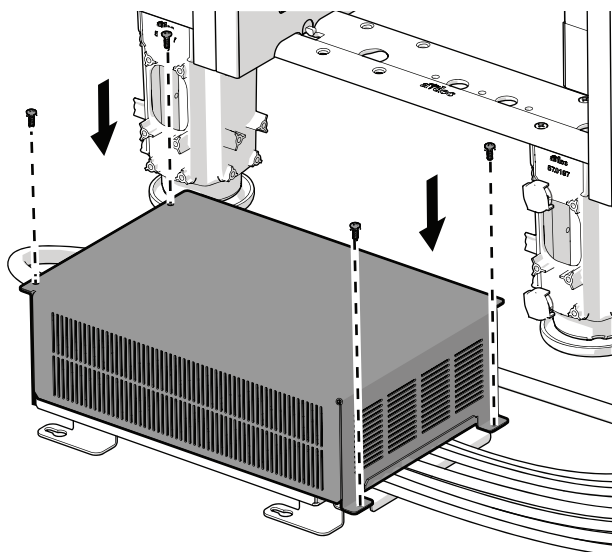
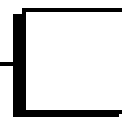


- 3** Replace the top of the connector and close the lever.
- 4** Install the gray cap on the end of the cable.
- 5** Repeat steps 1 through 4 for the remaining servo cables.

Secure the Wires and the Power Box



- 1** Secure the task light switch wires, task light wires, and servo cables under the cable management clip.



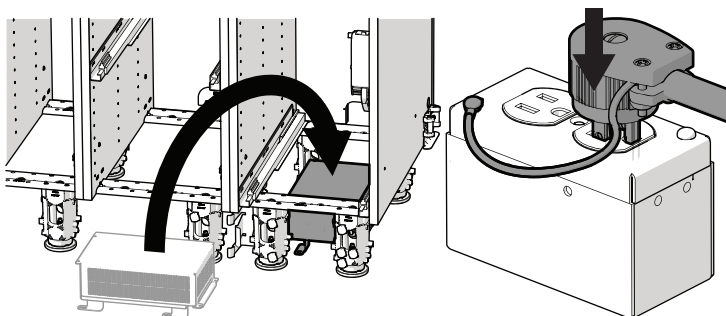
2 Reinstall the power box cover.



NOTE The lid acts as a strain relief for the wires. It will take a little force to secure the cover.



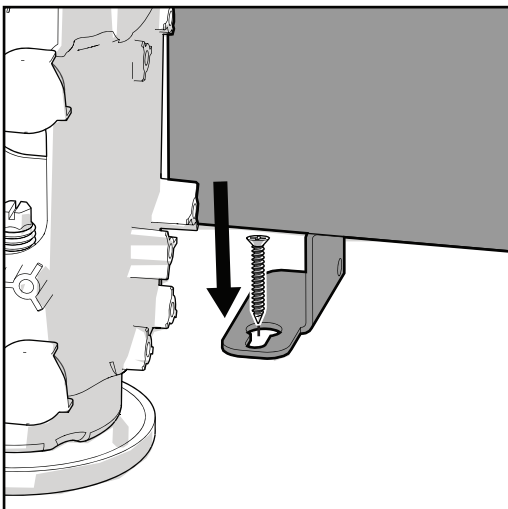
CAUTION Do not mount the power box directly under a sink or there is risk that water may get into the box and cause equipment failure.



3 Place the power box inside the cabinet.

4 Use a Phillips head screwdriver to secure the green ground wire to the cover of the outlet.

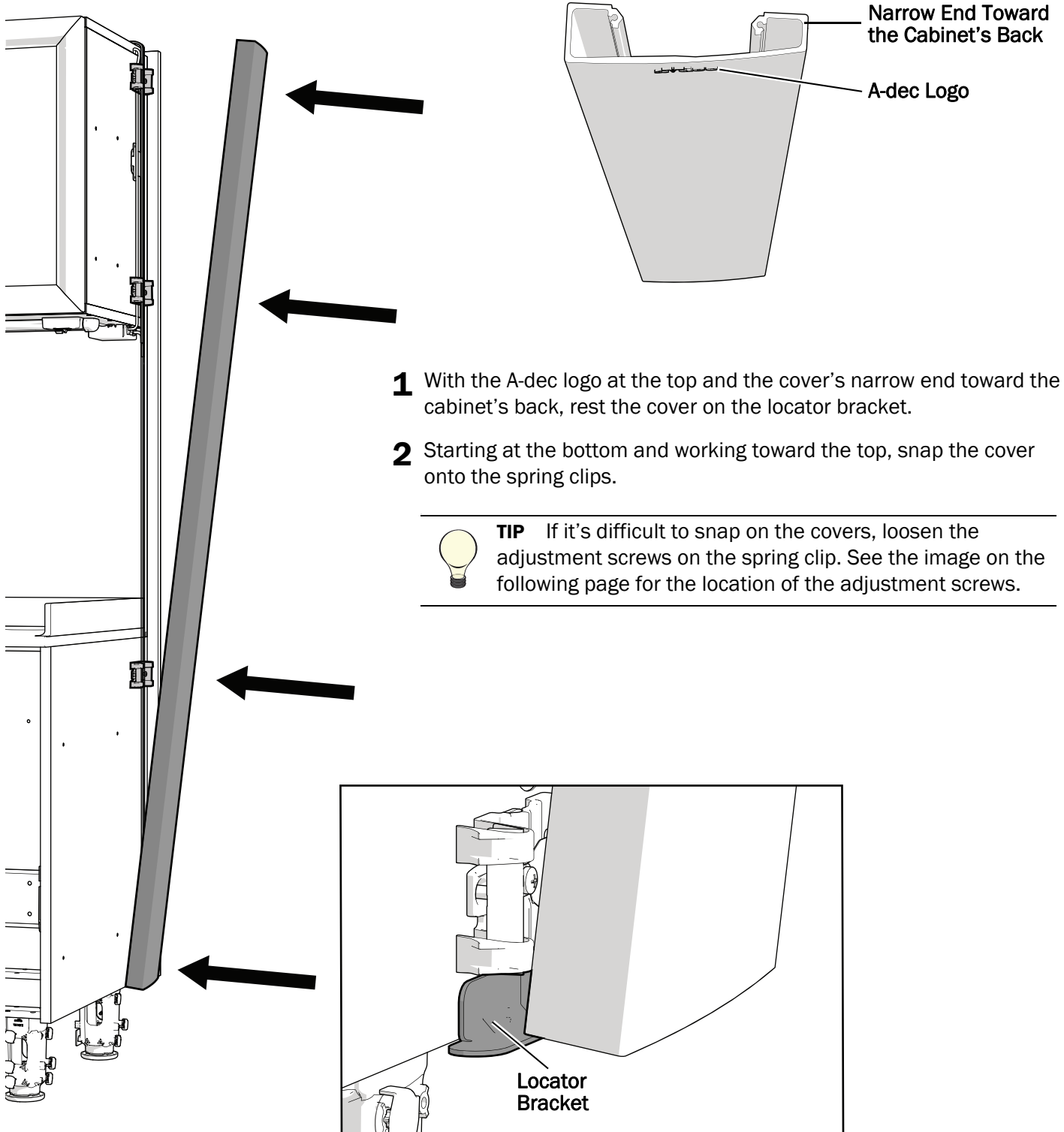
5 Plug the power box into the outlet.

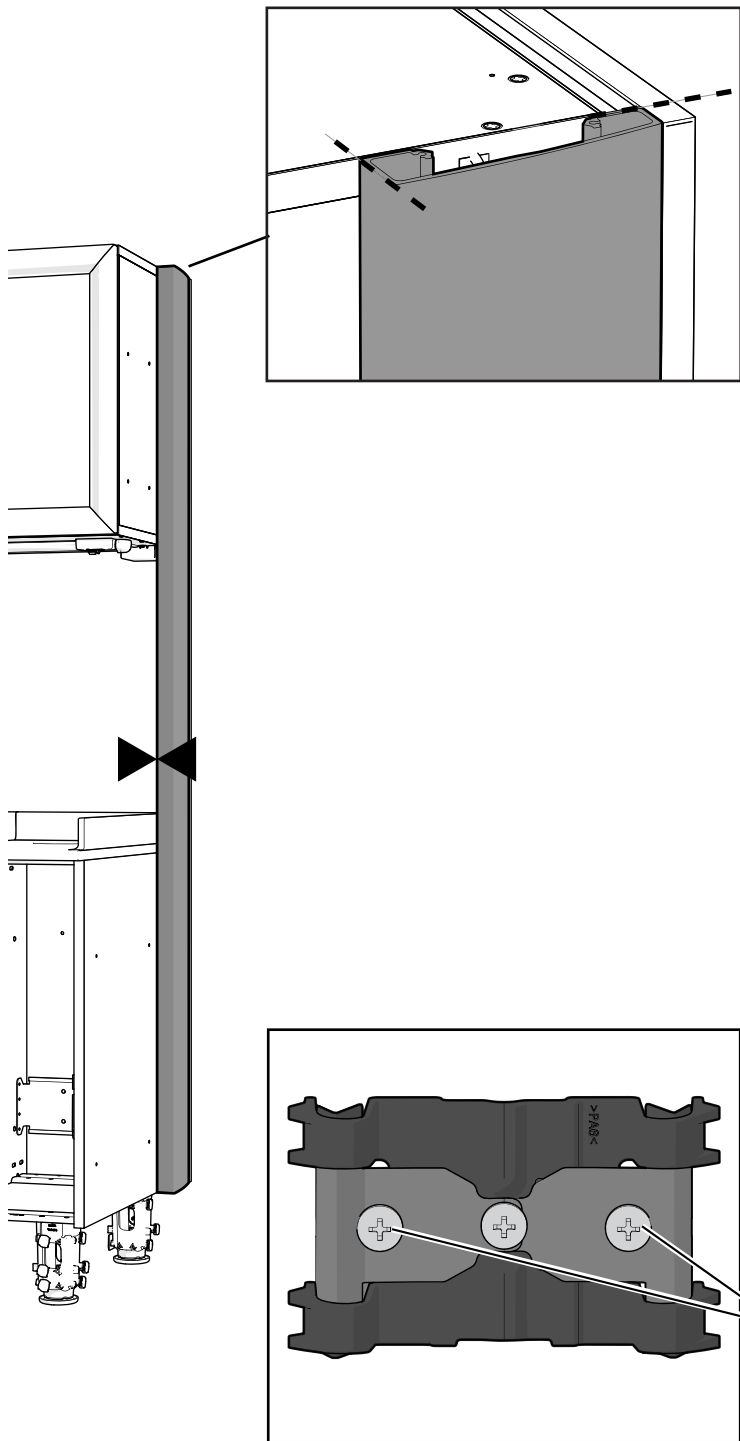
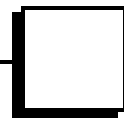


6 Under the cabinet, use one fastener to anchor the power box to the floor (the fastener is not included in the kit). It does not matter which foot you choose to secure.

J Install the Column Covers

Install a Column Cover





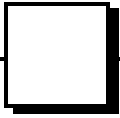
3 Verify that the top of the cover is flush with the top of the support column.

4 Make sure the cover is flush against the support column.
To adjust the size of the gap between the cover and the cabinet, remove the cover and adjust the two outside screws on each spring clip.



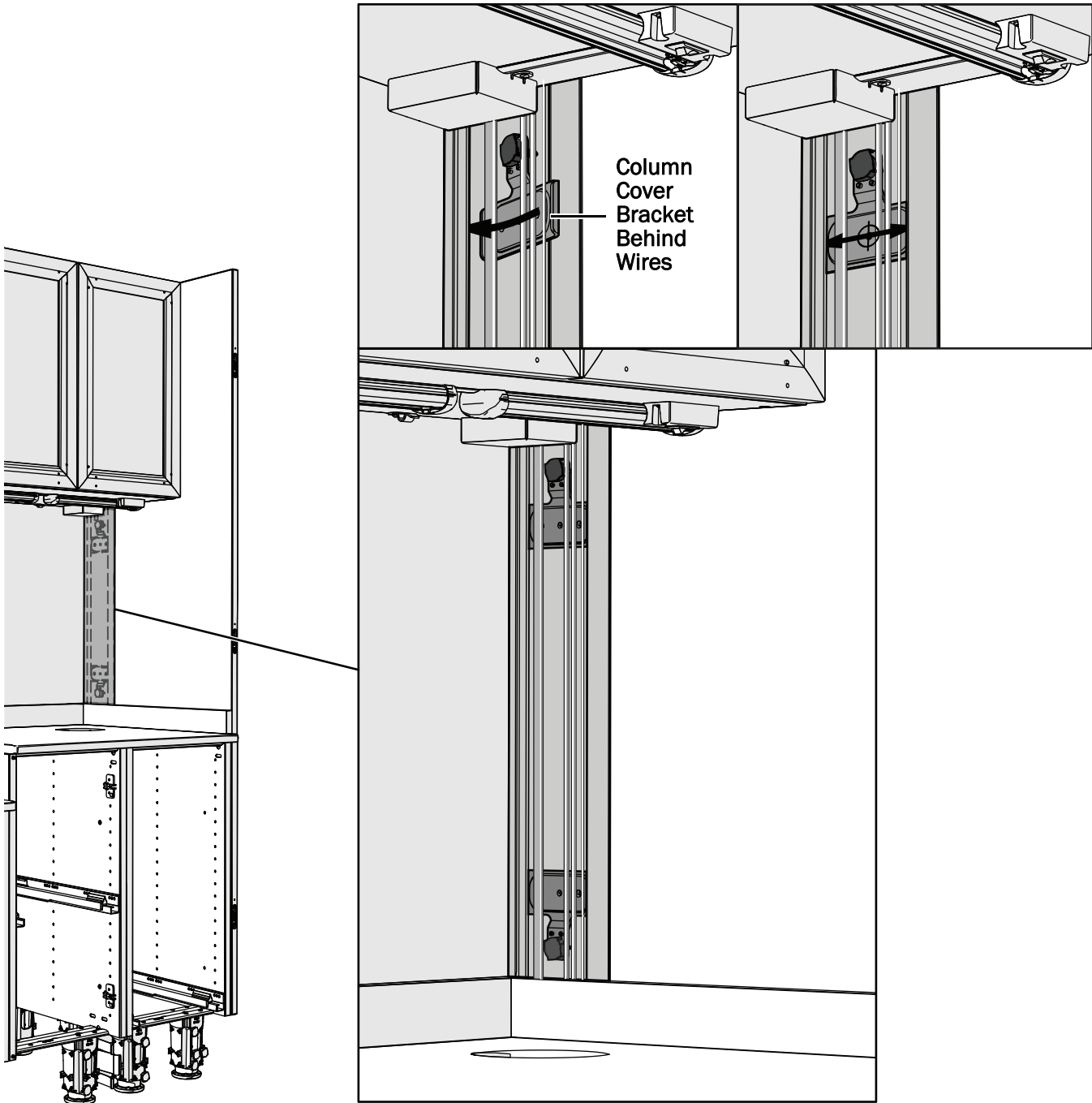
NOTE Adjust both screws by equal amounts or the cover may shift side to side.

Adjustment Screws



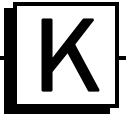
Install Interior Column Covers (optional)

Install interior covers when the support column is exposed toward the inside of the cabinet.



- 1** Insert the column cover brackets, two per cover, inside the support column with the wires and cables routed in front of the brackets. Note the orientation of the brackets.

Install the End Panels



Select the procedure for the cabinet's configuration.

Remove the Dryer Drawer**This page**

Install a Flat or Filler End Panel **58**

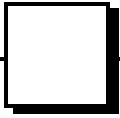
Install Curved End Panels **59**

Install the Transition End Panel **60**

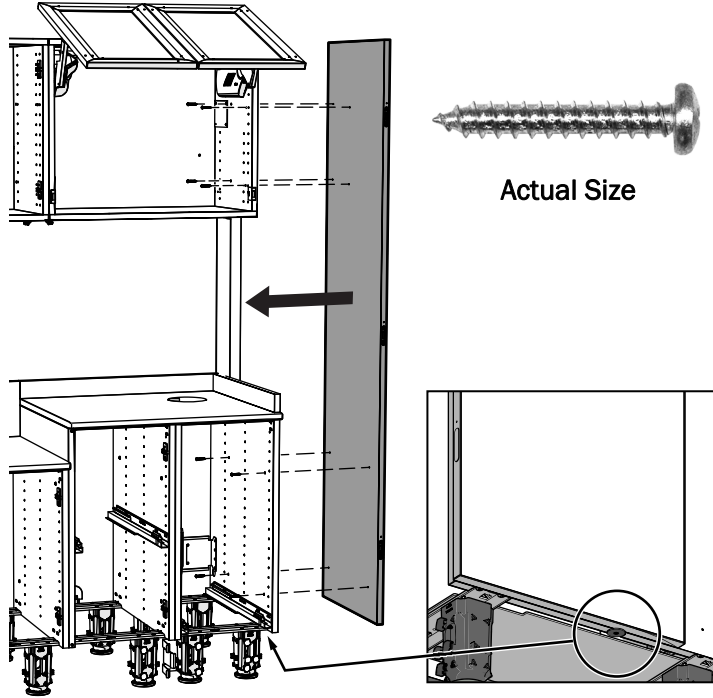
Install the Interior Column Cover (Curved End Panels Only) **62**

Remove the Dryer (optional)

If a dryer is located at the end of a module, remove the dryer to provide access for installing the end panels. For more information, see "Remove the Dryer" on page 12.



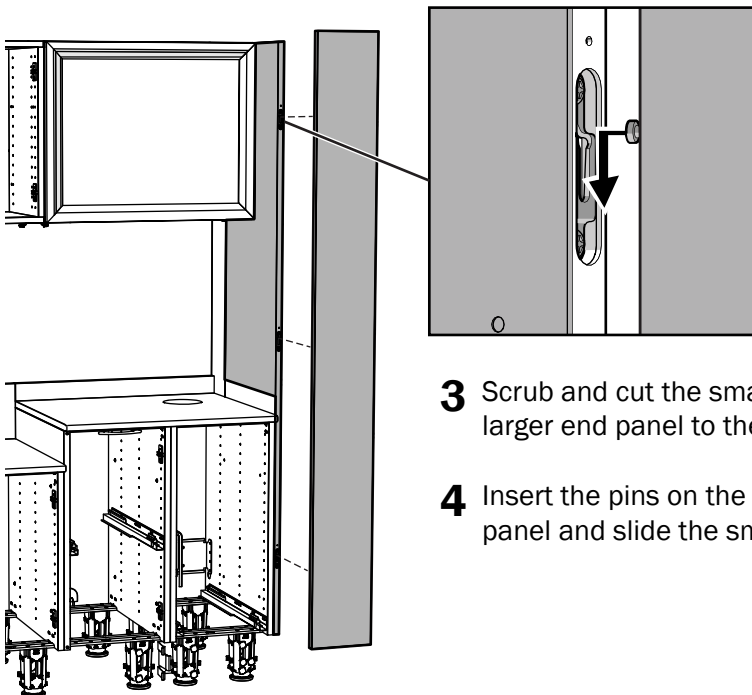
Install a Flat or Filler End Panel



1 Rest the end panel on the fender washer.

2 Use eight screws to secure the large filler end panel to the cabinet.

Complete Steps 3 and 4 for Filler End Panel Only

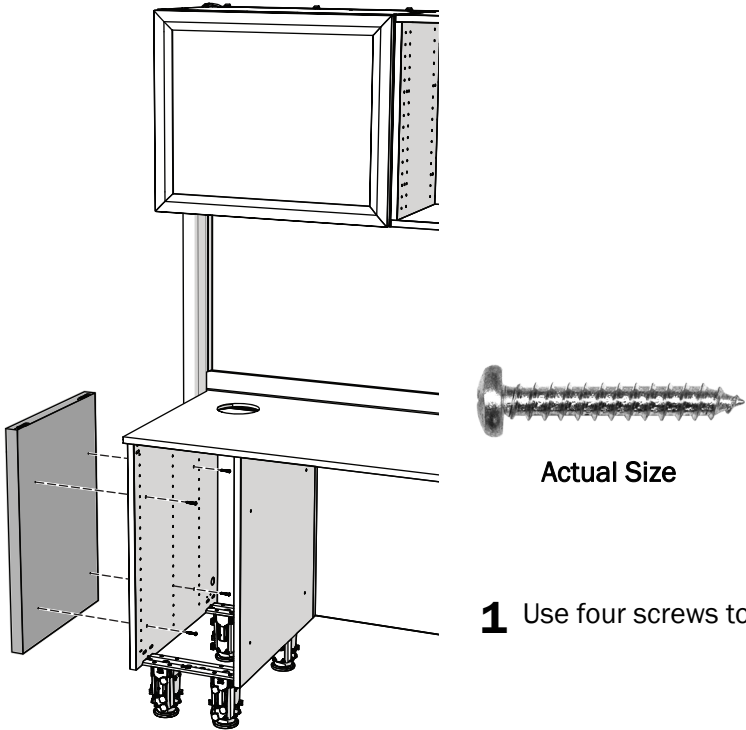


3 Scrub and cut the smaller end panel to fit the distance of the gap from the larger end panel to the wall.

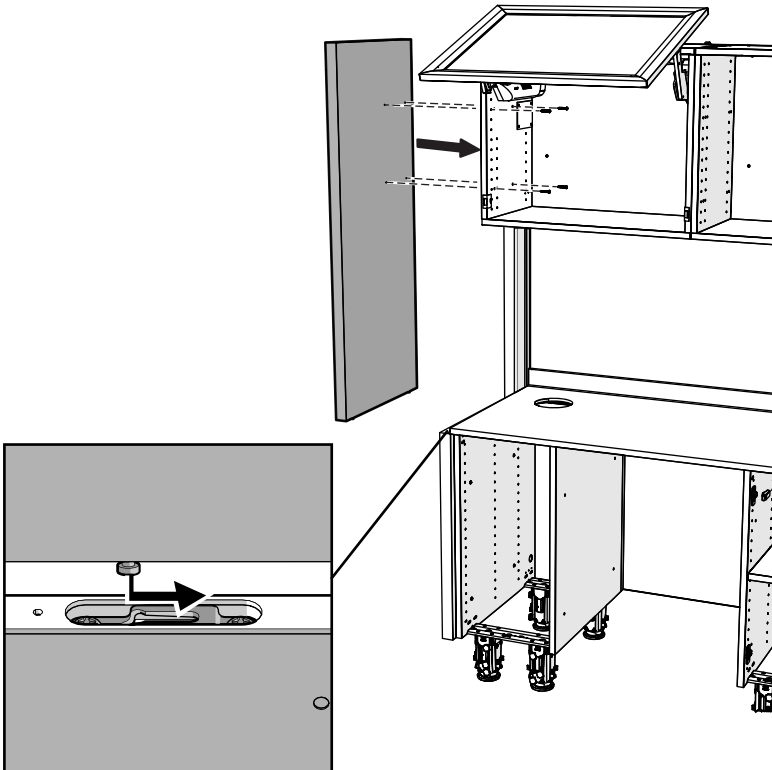
4 Insert the pins on the smaller filler end panel into the slots on the larger panel and slide the small panel down.

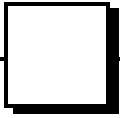


Install Curved End Panels

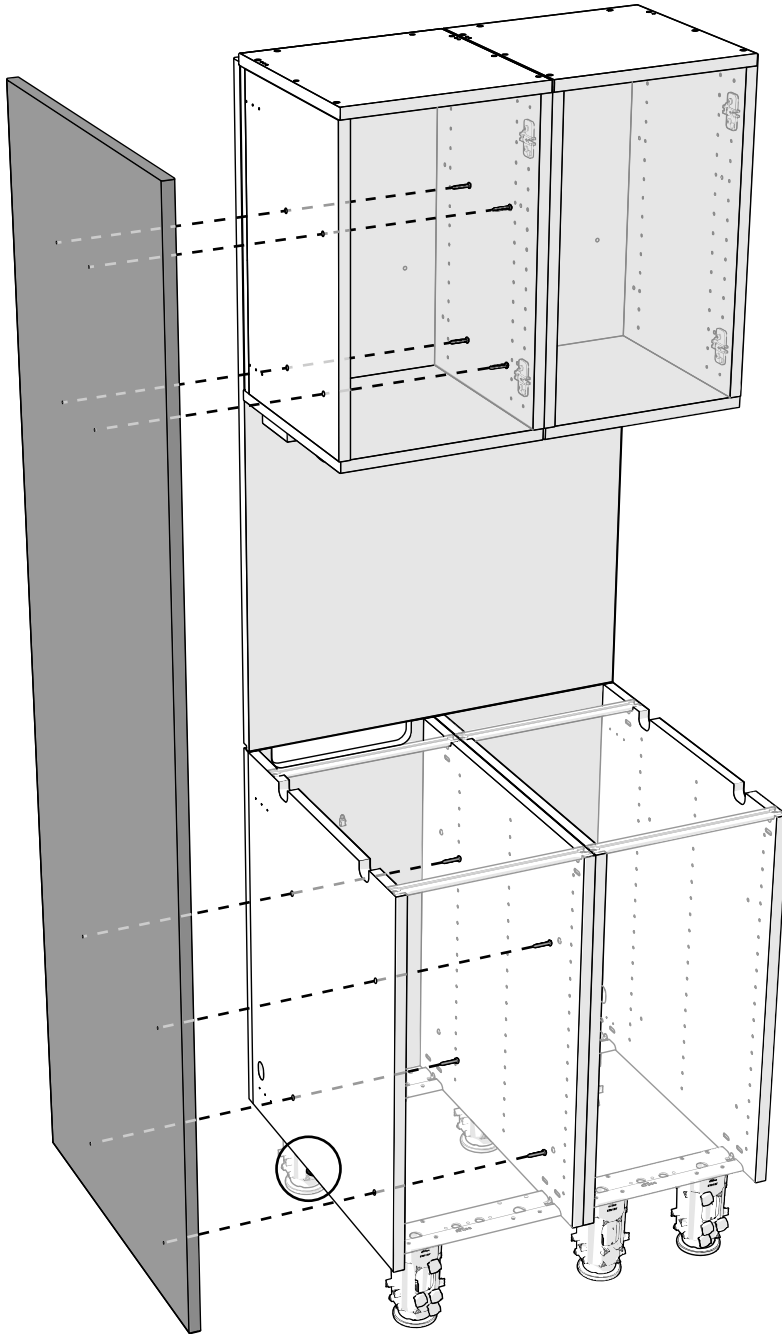


1 Use four screws to secure the lower curved end panel to the cabinet.

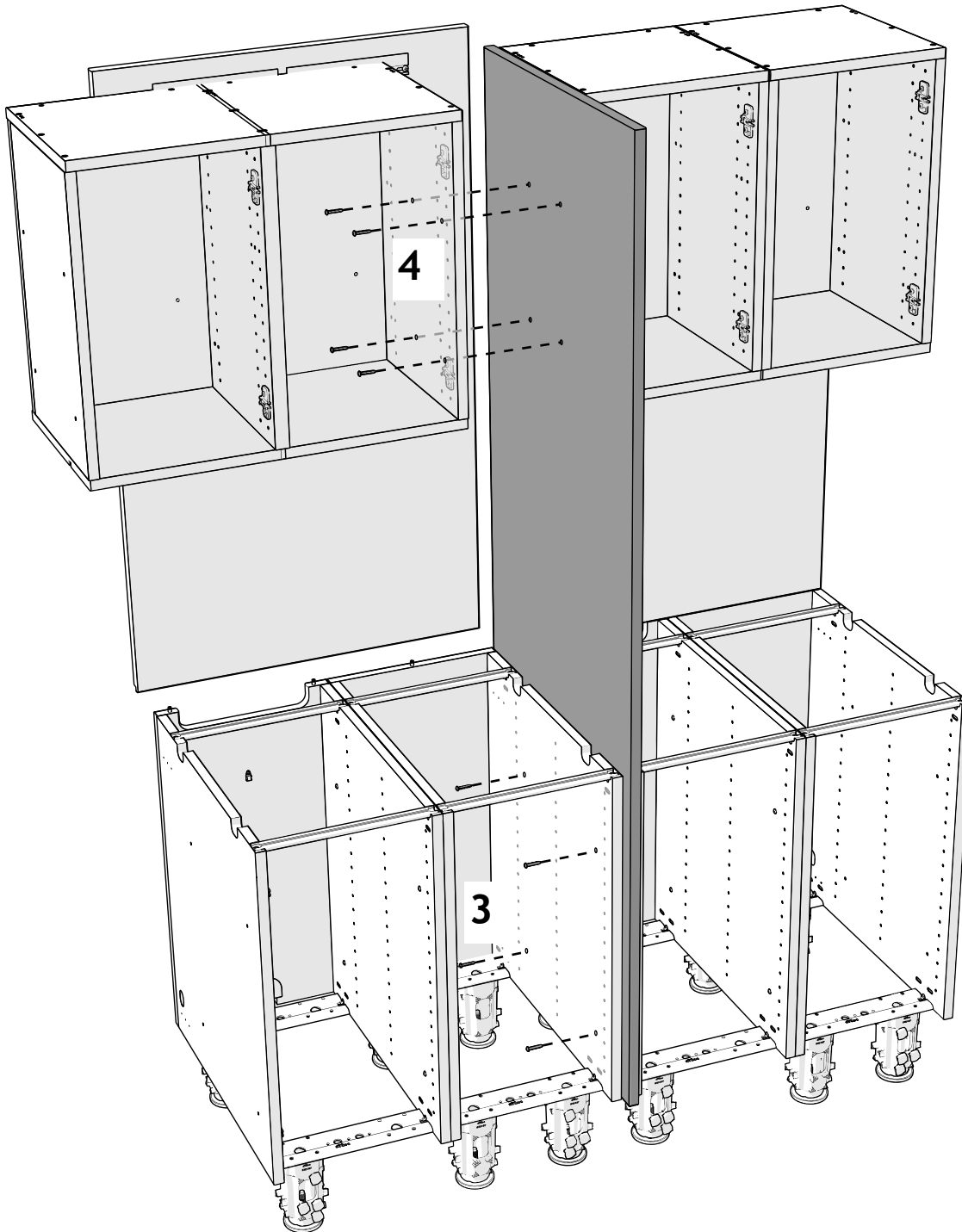
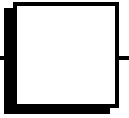




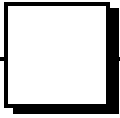
Install the Transition End Panel



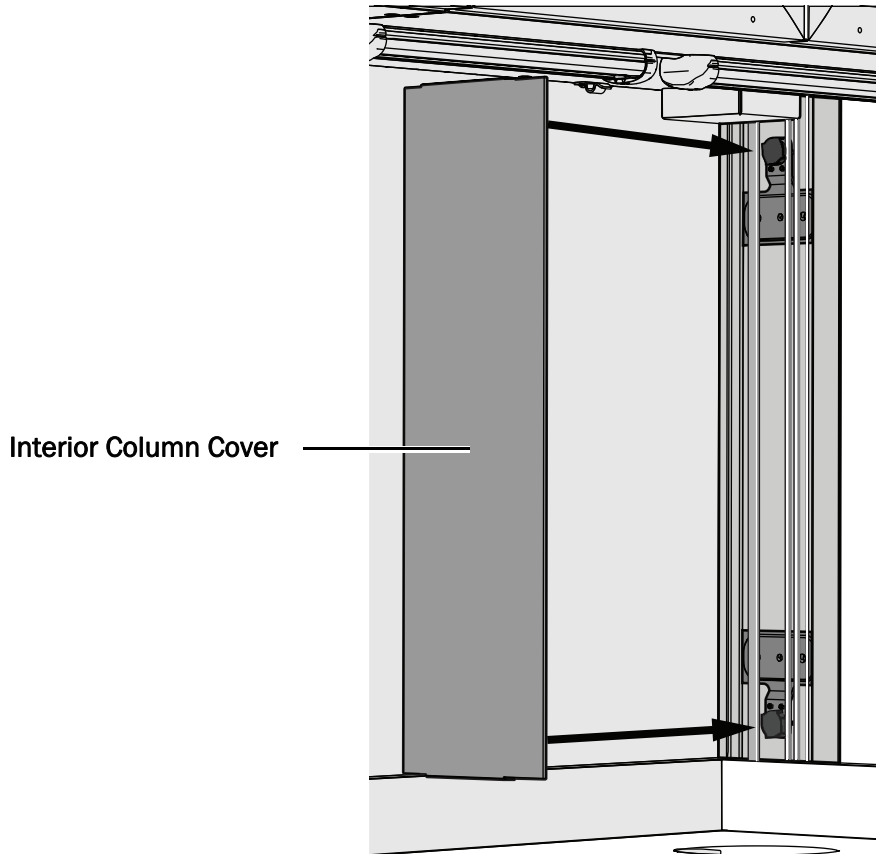
- 1** Rest the end panel on the fender washer of the first configuration.
- 2** Use eight screws to secure the end panel to the end of the first configuration.



- 3** Begin building the second configuration by using four screws to secure the lower cabinet to the end panel. Continue building the second configuration.
- 4** Position the uppers of the second configuration; then use four screws to secure the upper cabinet to the end panel.

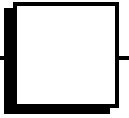


Install the Interior Column Cover (Curved End Panels Only)

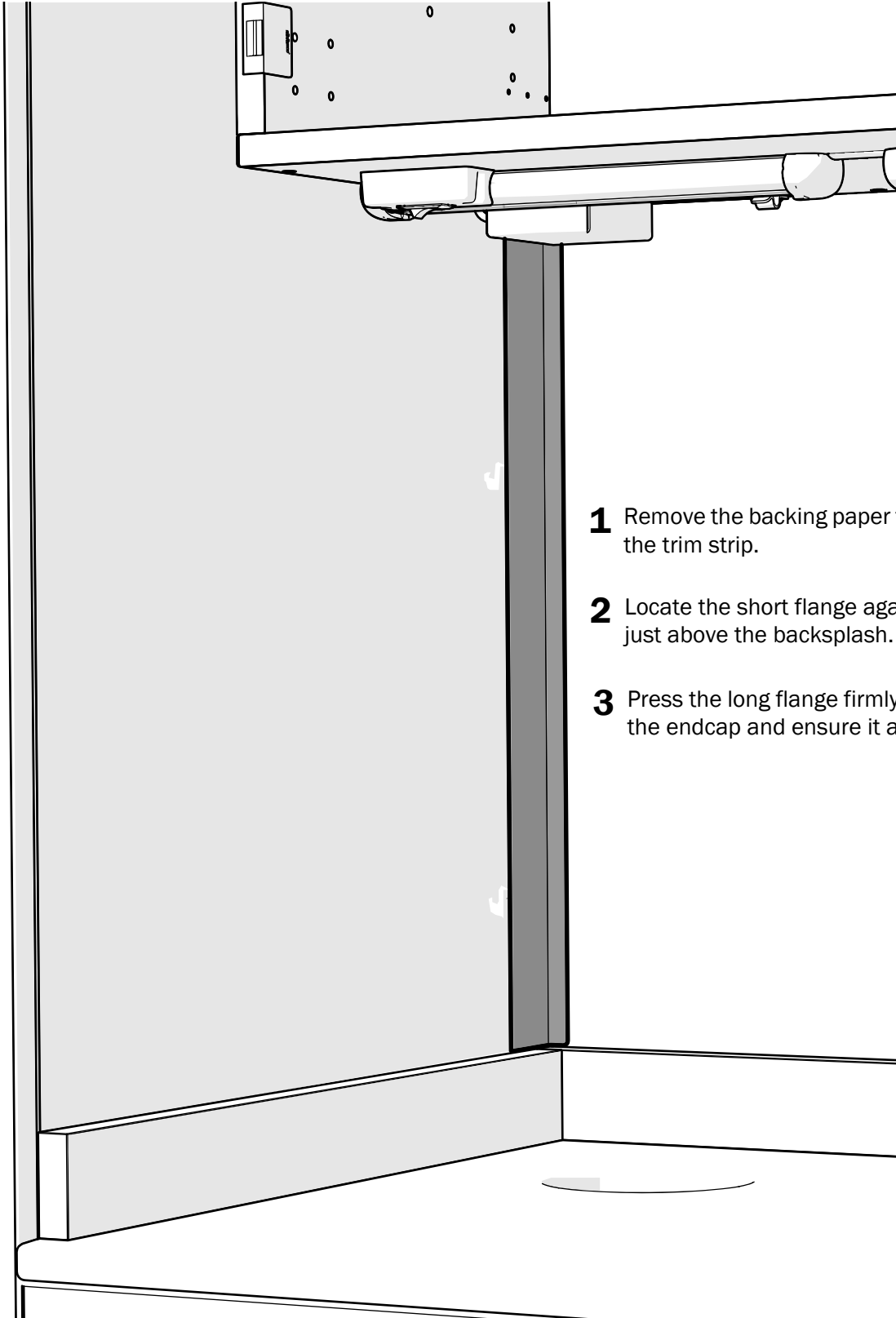


CAUTION Make sure the wires do not get pinched between the magnets and the cover.

- 1** Install the interior column covers. They are held by the brackets' magnets.



Install the Trim Strip (Flat End Panels Only)



- 1** Remove the backing paper from the adhesive on the trim strip.
- 2** Locate the short flange against the midsection just above the backsplash.
- 3** Press the long flange firmly against the inside of the endcap and ensure it adheres securely.

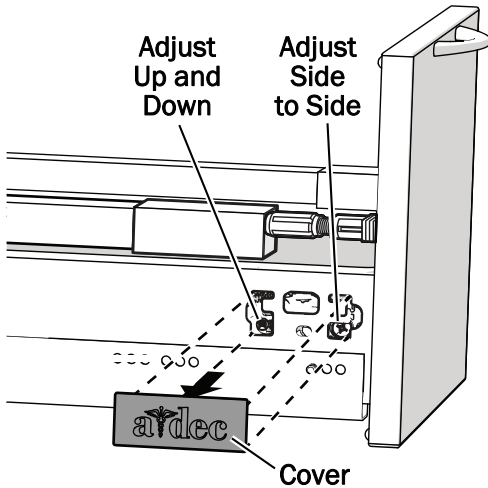
L Adjust the Cabinet

Adjust the Storage Drawer Faces

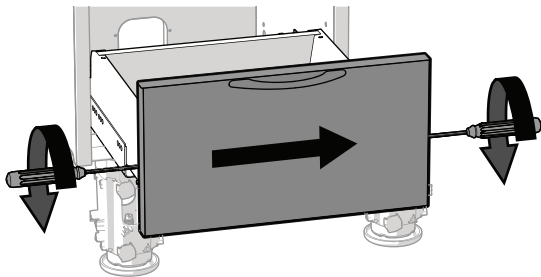
Adjust the face of the drawers to align them properly.



CAUTION To avoid damaging the screws, use a #2 Pozidriv screwdriver to adjust the screws that move the drawer faces.



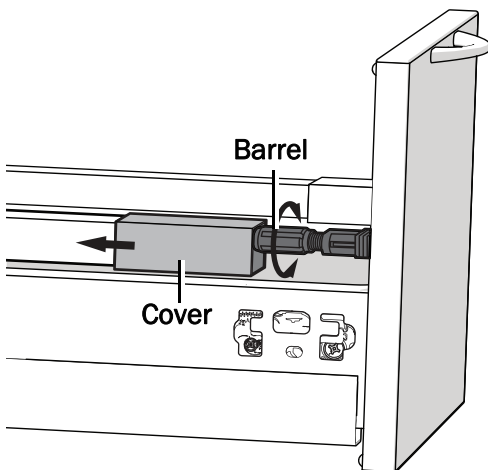
- 1** Remove the covers on both sides of the drawer.
- 2 Up and Down:** On both sides, adjust the screws closest to the back of the drawer.



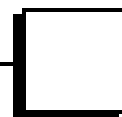
- 3 Side to Side:** On both sides, adjust the screws closest to the face of the drawer. Make sure to move both screws in equal increments. The direction shown moves the drawer face to the right.



TIP Use two screwdrivers at the same time to move the face more easily.

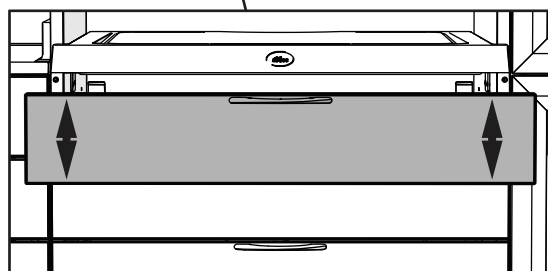
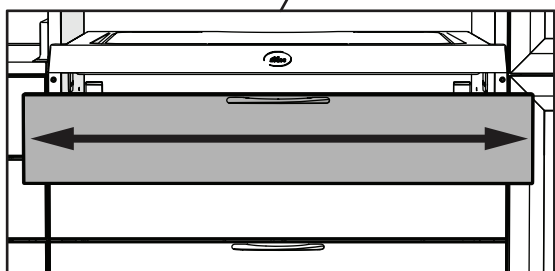
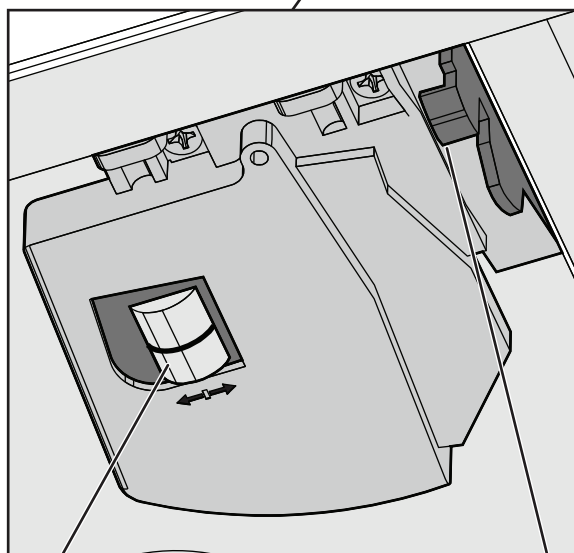
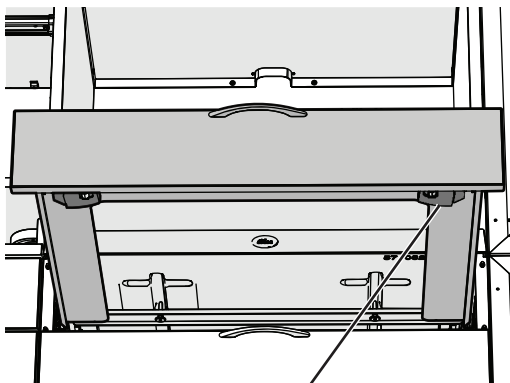


- 4 Front to Back Tilt (Gallery Rails only)** - Slide the covers and rotate the barrels.



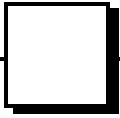
Adjust the Insert Drawer and Storage Pullout Drawer Faces

Adjust the Drawer Face Up & Down and Side to Side

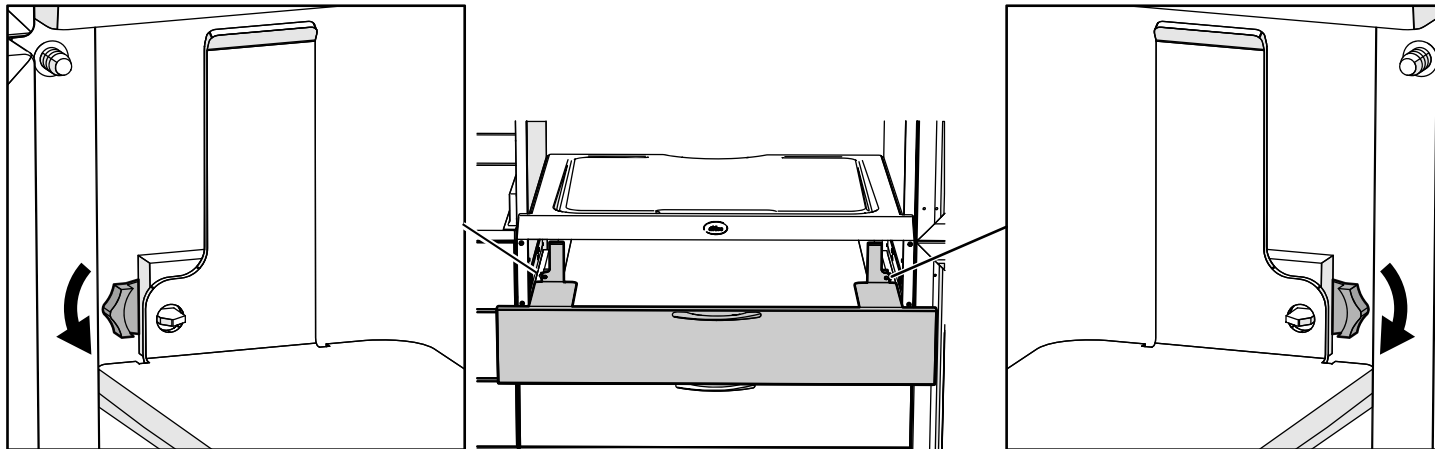
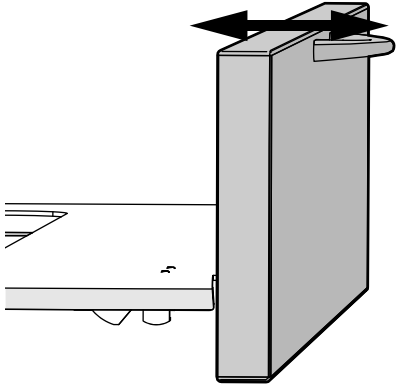


1 Side to Side: Rotate all barrels in the direction you want the drawer face to move.

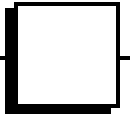
2 Up and Down: Slide the gray tab on the side to be moved. Slide the tab toward the back of the drawer to raise the drawer face.



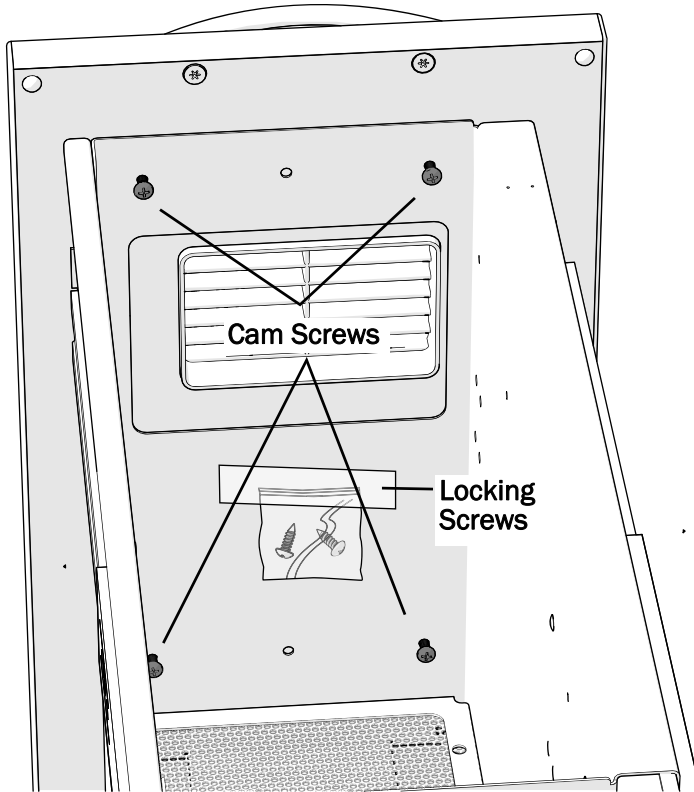
Adjust the Drawer Face Front to Back Tilt



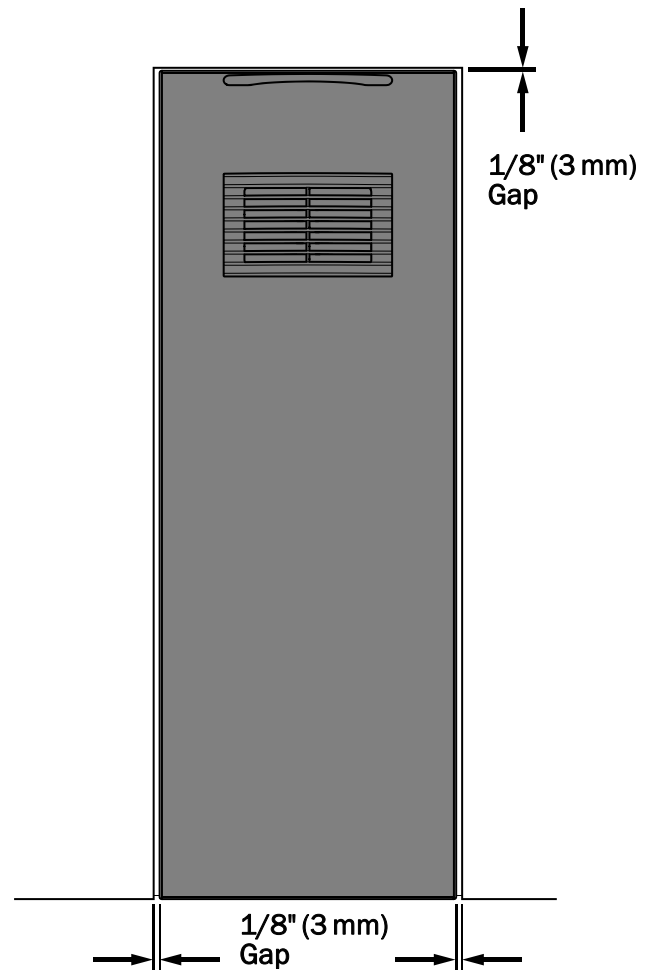
- 1 Front to Back Tilt:** Rotate the tab away from the drawer to tilt the drawer face toward the cabinet.



Adjust the Dryer Front Panel



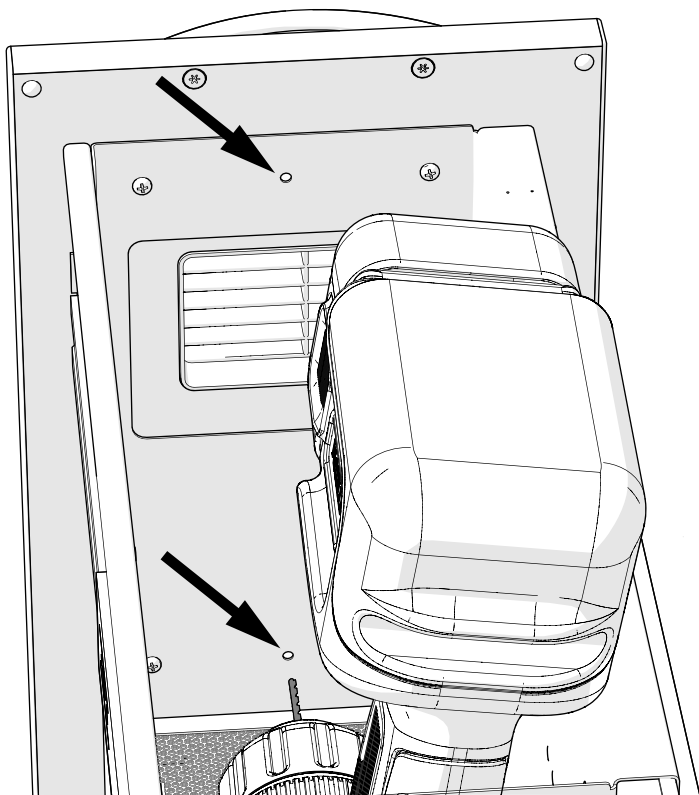
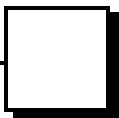
- 1** Slightly loosen the four existing cam screws.
- 2** Position the front panel so it has a 1/8" (3 mm) gap above and on both sides.



- 3** Tighten the cam screws. Verify that the panel is still in the correct position.

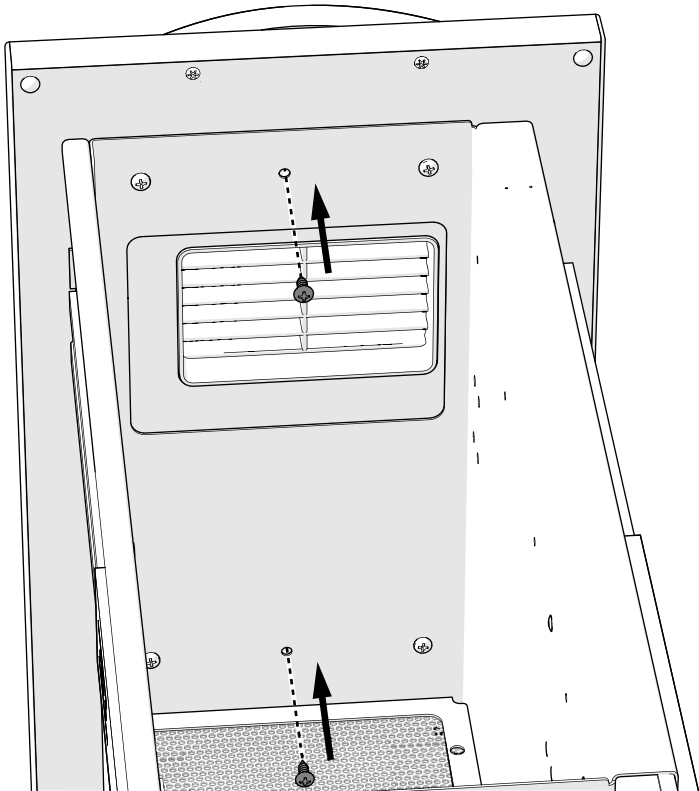


NOTE The locking screws you will use in step 5 are taped to the inside of the door front.

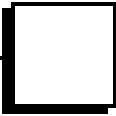


CAUTION Ensure you do not drill the pilot holes at a depth greater than the panel.

- 4 Drill a 1/16" (1.6 mm) pilot hole in the untapped holes and install the locking screws to secure the front panel in place.



- 5 Use the locking screws to firmly secure the front panel.



Adjust the Doors

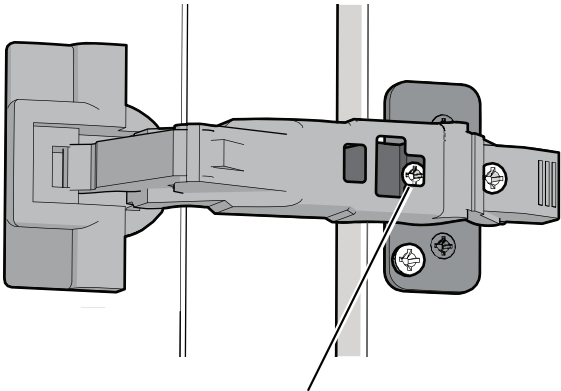
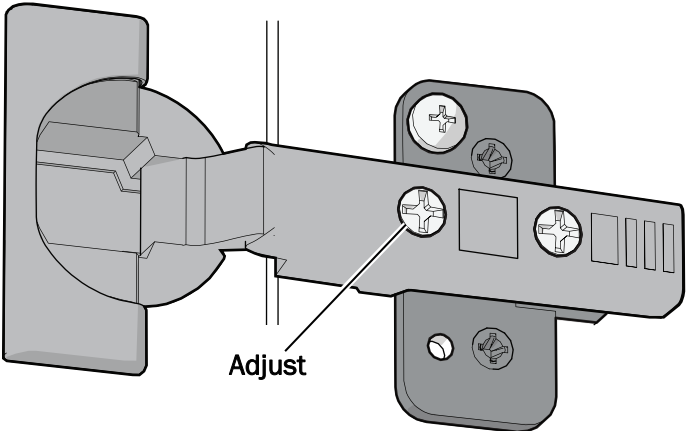
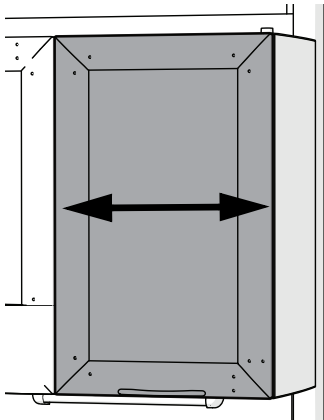
Adjust the door hinges to align the doors properly.



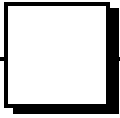
CAUTION To avoid damaging the screws, use a #2 Pozidriv screwdriver to adjust the door hinge screws.

Adjust Manual Doors

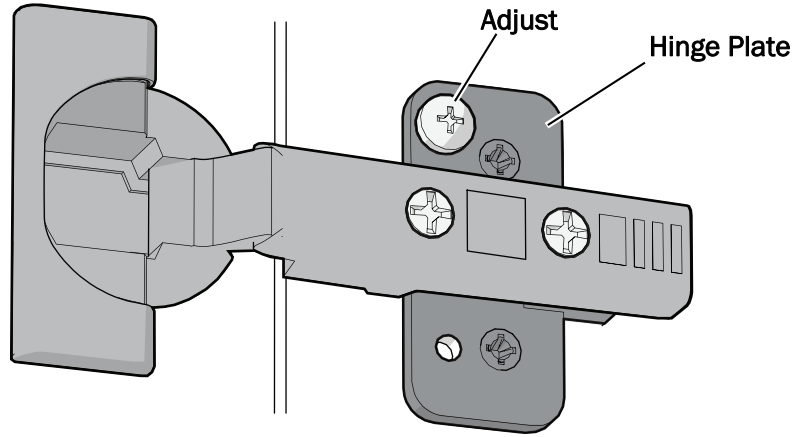
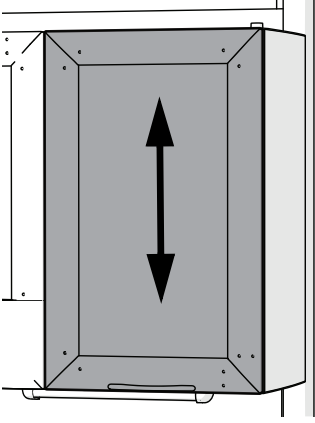
Side to Side



For 155° hinges, close the door slightly for better access to the screw.

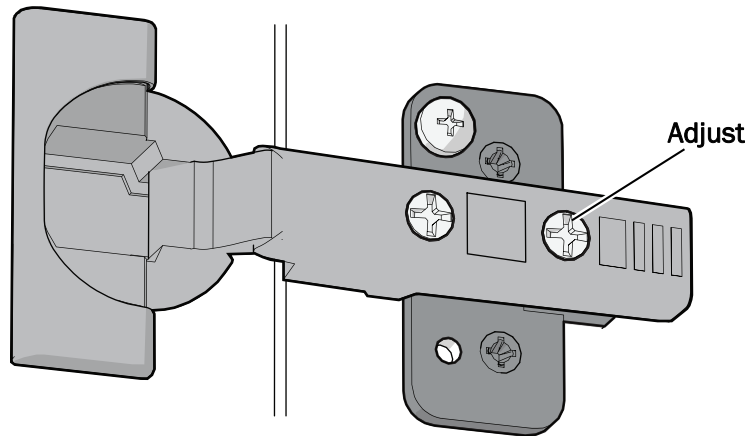
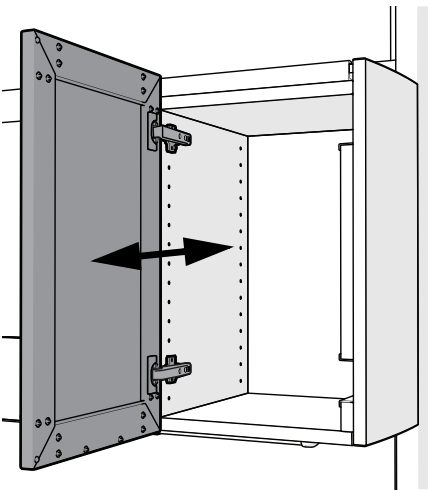


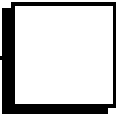
Up and Down



NOTE The screw on the hinge plate may be at the top or bottom, depending on the door configuration.

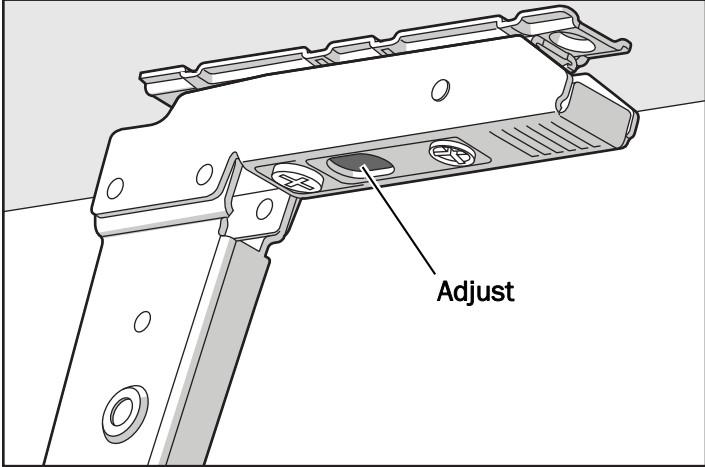
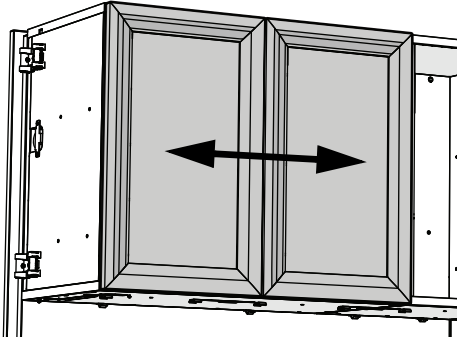
Back to Front



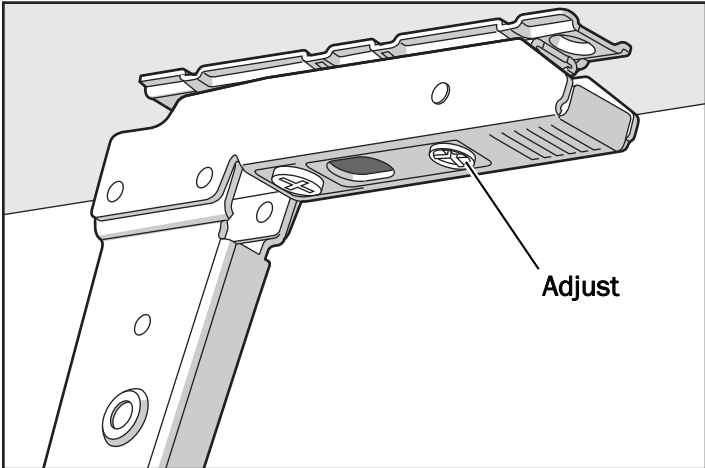
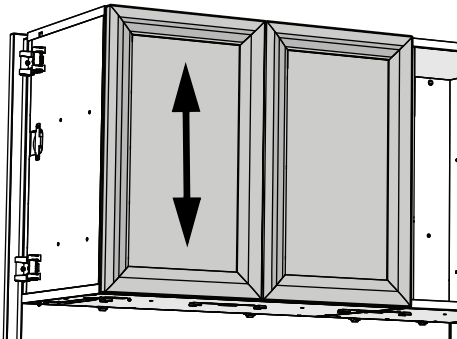


Adjust Doors Connected to Servos

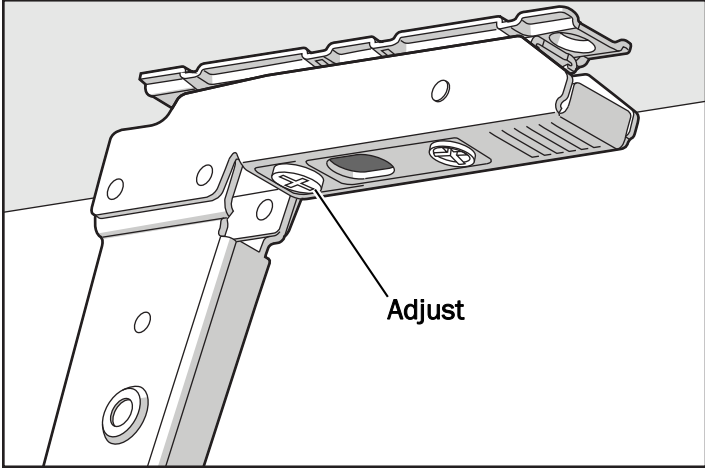
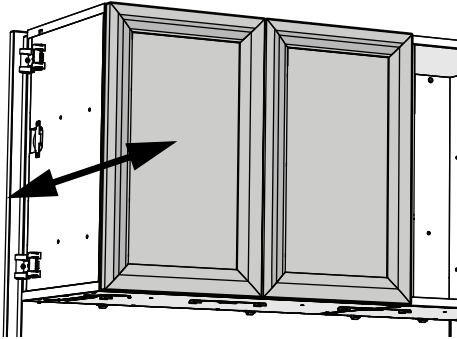
Side to Side

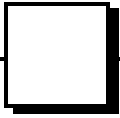


Up and Down

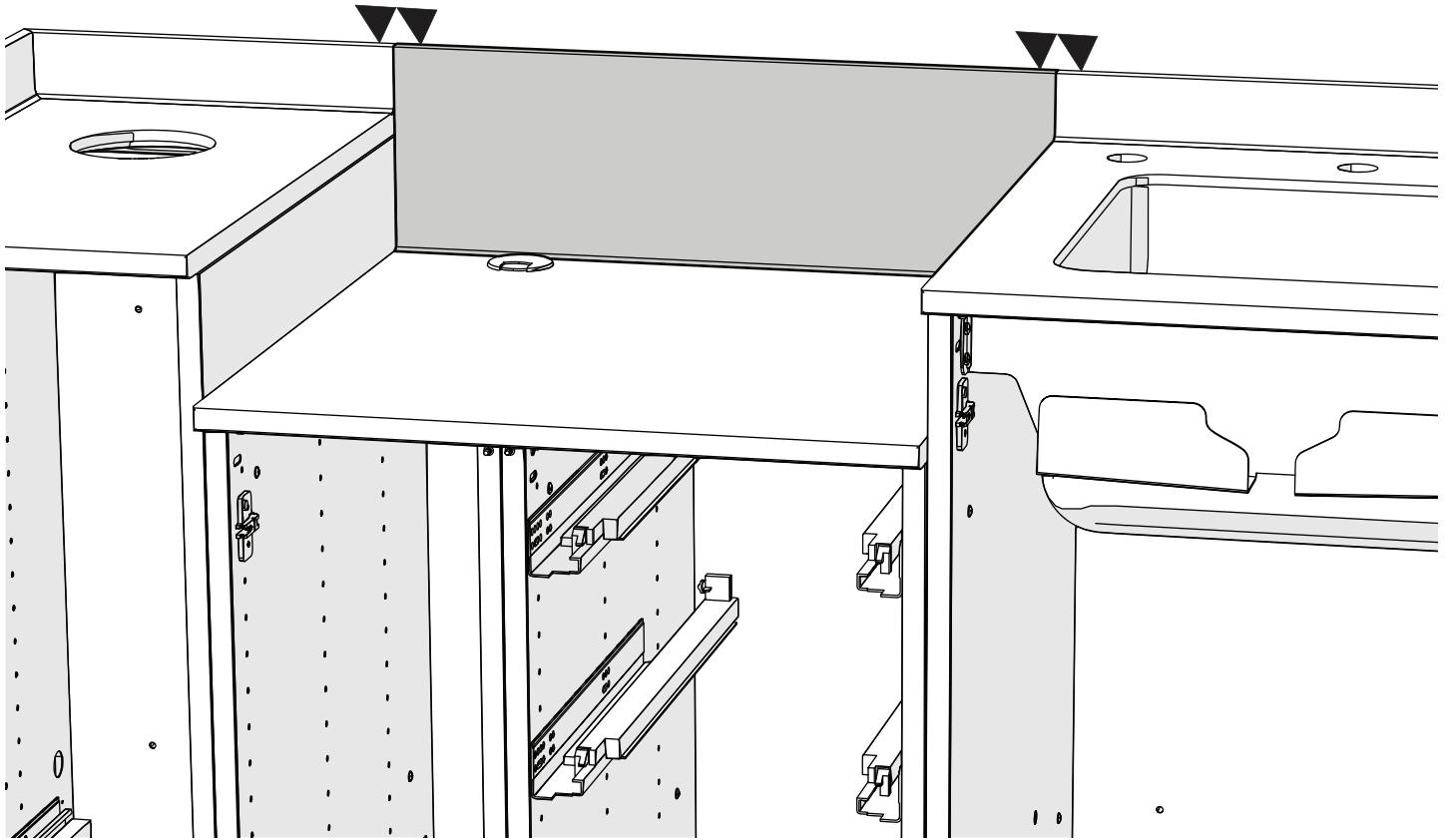


Back to Front





Adjust the Backsplash (dropped ultrasonic modules only)

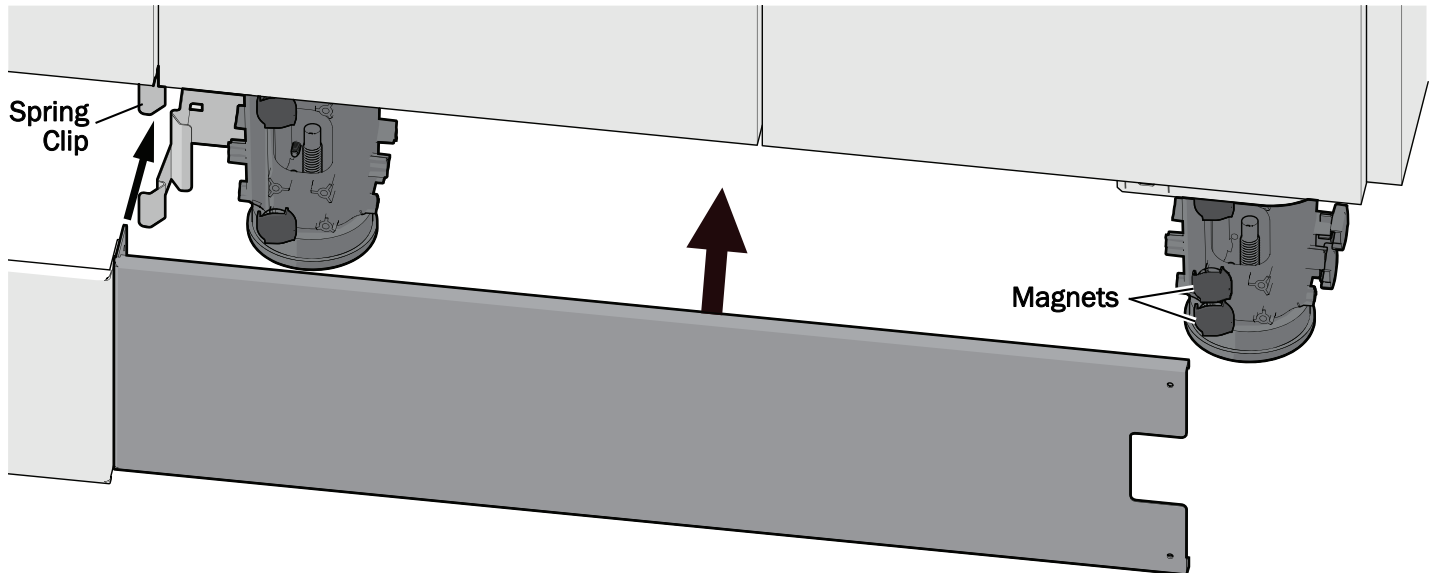


- 1** Verify that the backsplash seams are flush between modules. If they need to be adjusted, loosen the mounting screws to shift the countertops and apply shims if necessary.

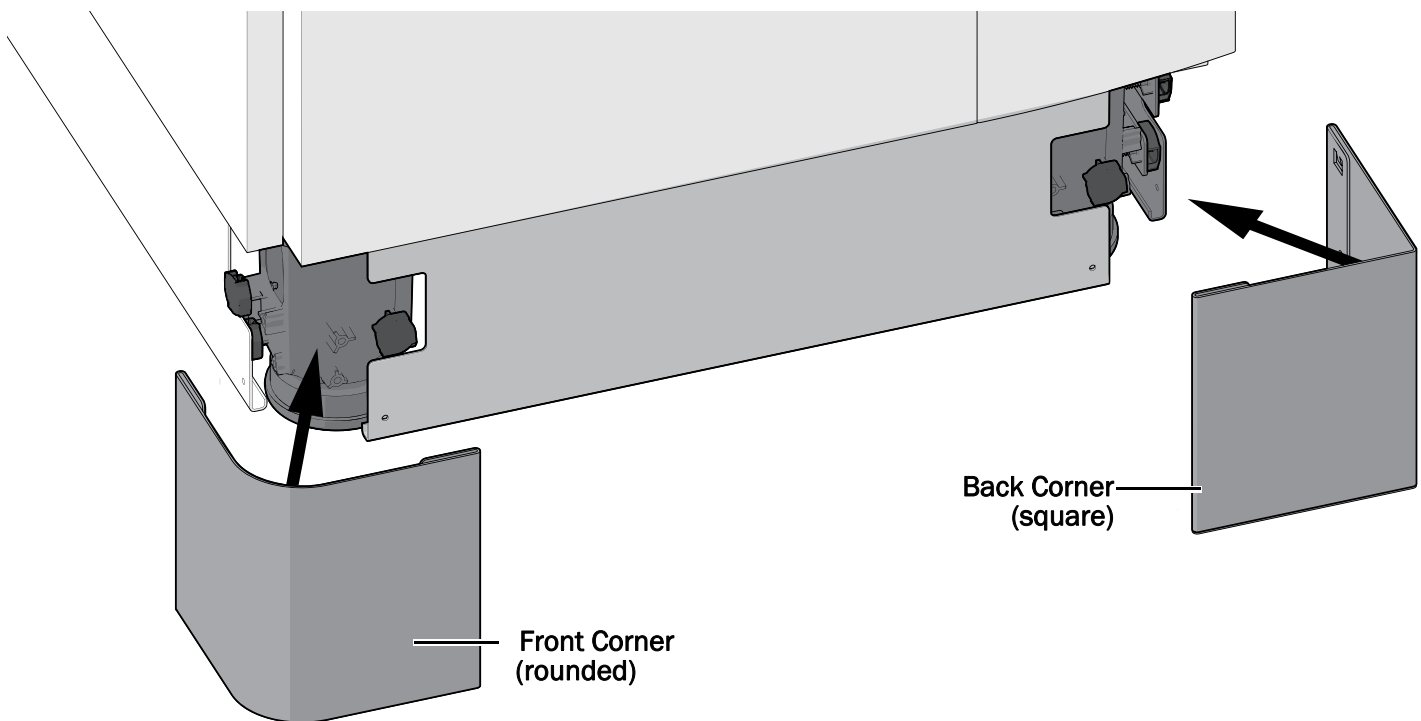
Install the Base Covers and Foot Pedals



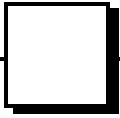
Install the Base Covers



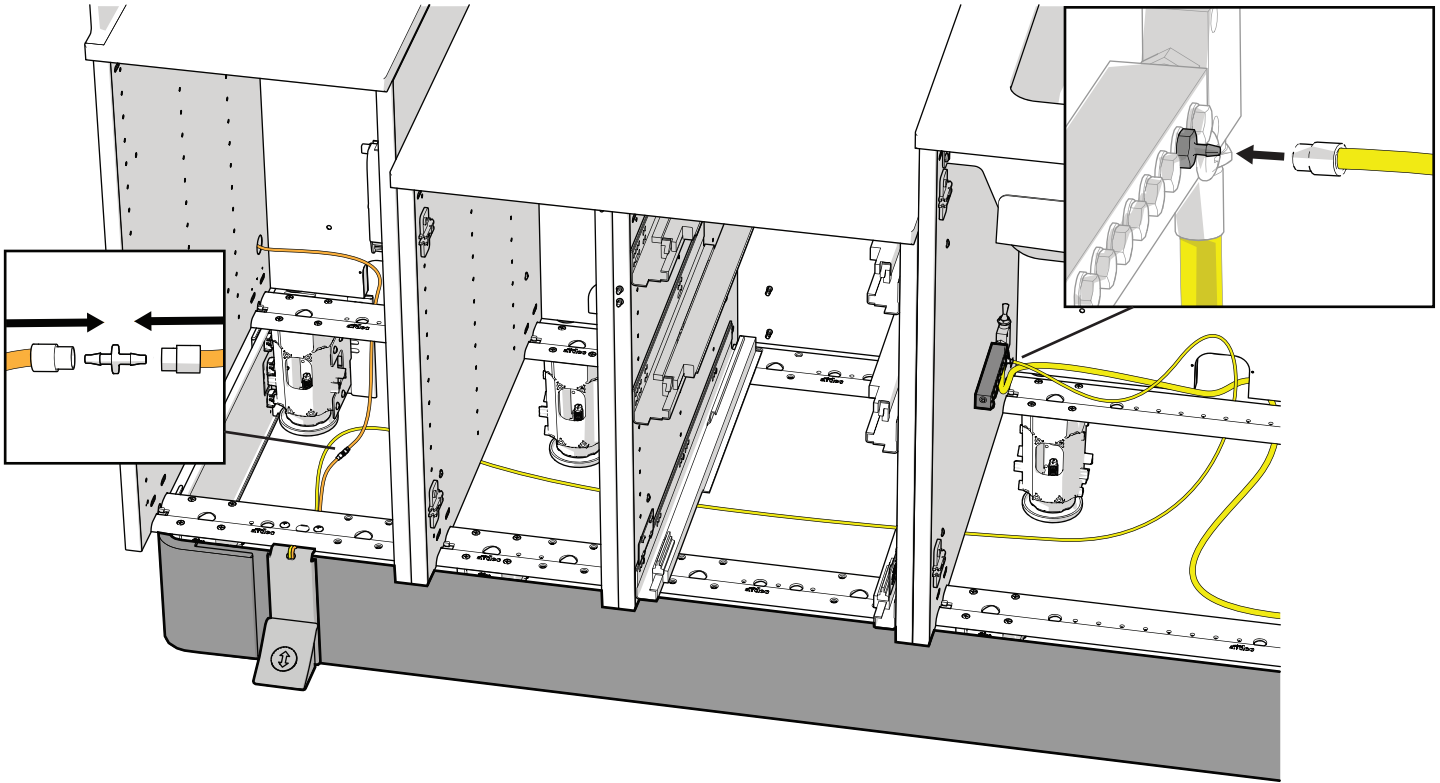
- 1 Place the base covers into position. Depending on their location, they attach onto magnets or are inserted into spring clips.



- 2 Place the rounded corner base covers on the front corners of the cabinet and the square covers on the back corners.



Upper Door Foot Pedal



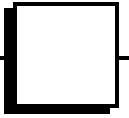
- 1** Route the yellow tubing under the cabinet, up behind the back rail, and connect it to the air manifold under the sink.
- 2** Connect the orange tubing to the orange tubing routed down from the upper door.



NOTE If a configuration does not have a sink module, it will ship with an air line connection kit. Use the yellow tubing to splice into an air supply.



NOTE If a configuration's receiving upper and sink module exceed a certain dimension, it will ship with a tubing extension kit. Use the yellow tubing to connect the foot pedal to the manifold.



Install the Foot Pedal (optional)

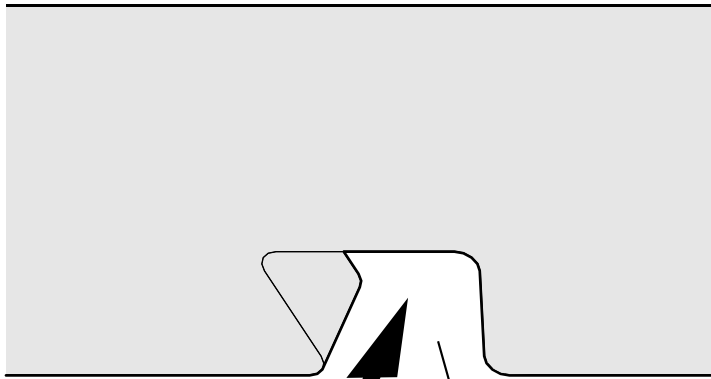
If your system includes a faucet foot pedal, see the *Faucet Foot Pedal on A-dec Inspire Dental Furniture Installation Guide* (86.0936.00) that shipped in the kit.

N Install the Accessories

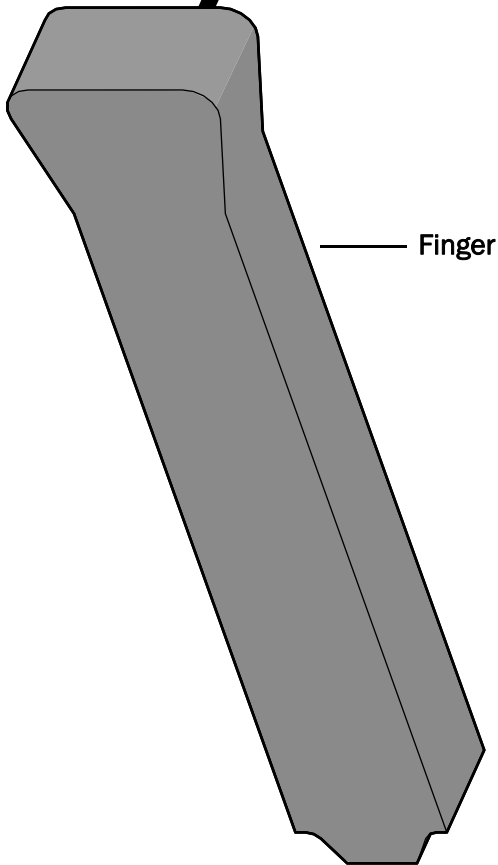
Install the Soap and Hand Sanitizer Dispensers

Prepare the Template

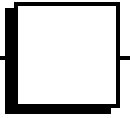
To protect it during shipping, the template ships with the fingers taped to the top of it. You must assemble the template before positioning it for the dispensers.



- 1** Carefully remove the tape securing the fingers to the template; then remove the fingers.



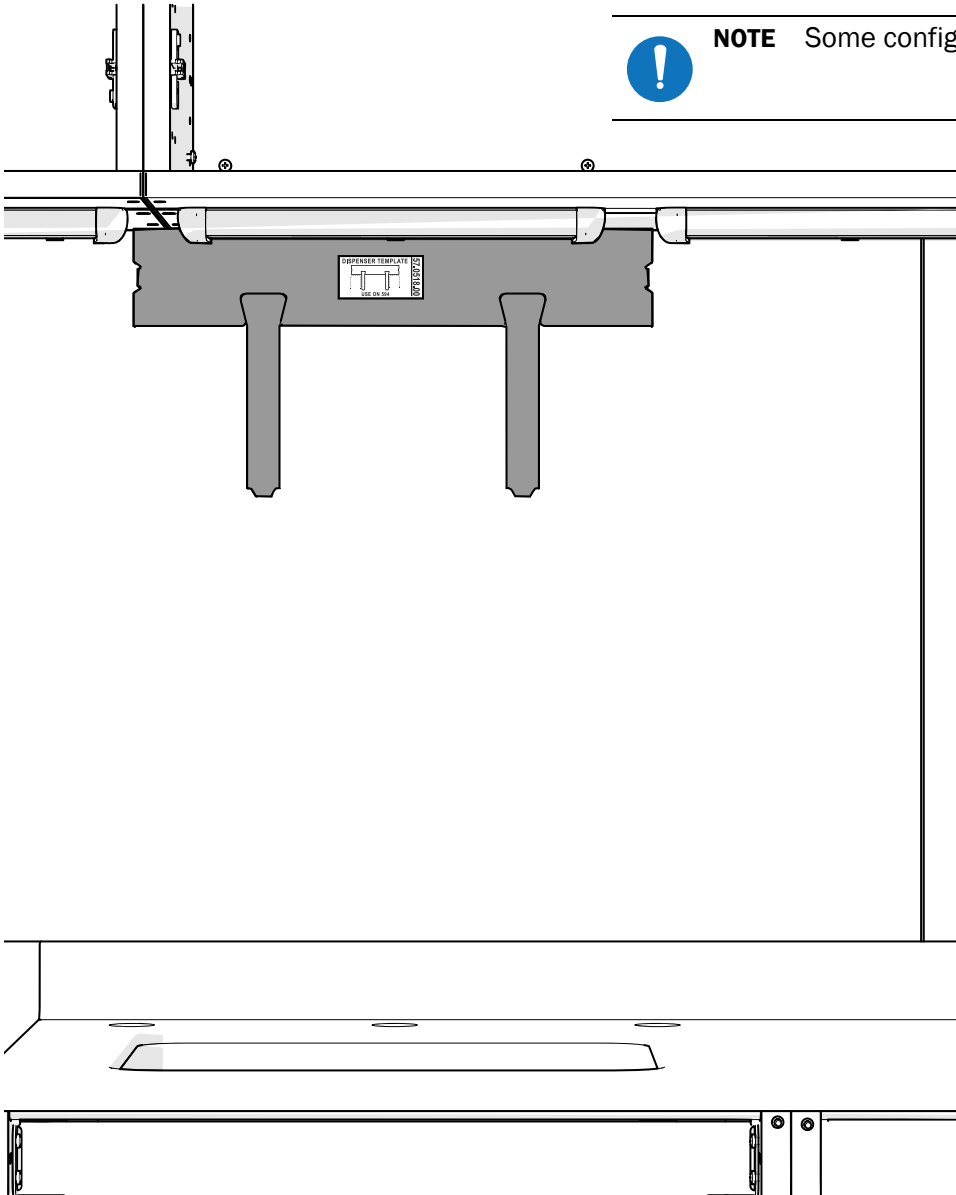
- 2** Snap the fingers into the cutouts at the bottom of the template.



Secure the Template to the Wall

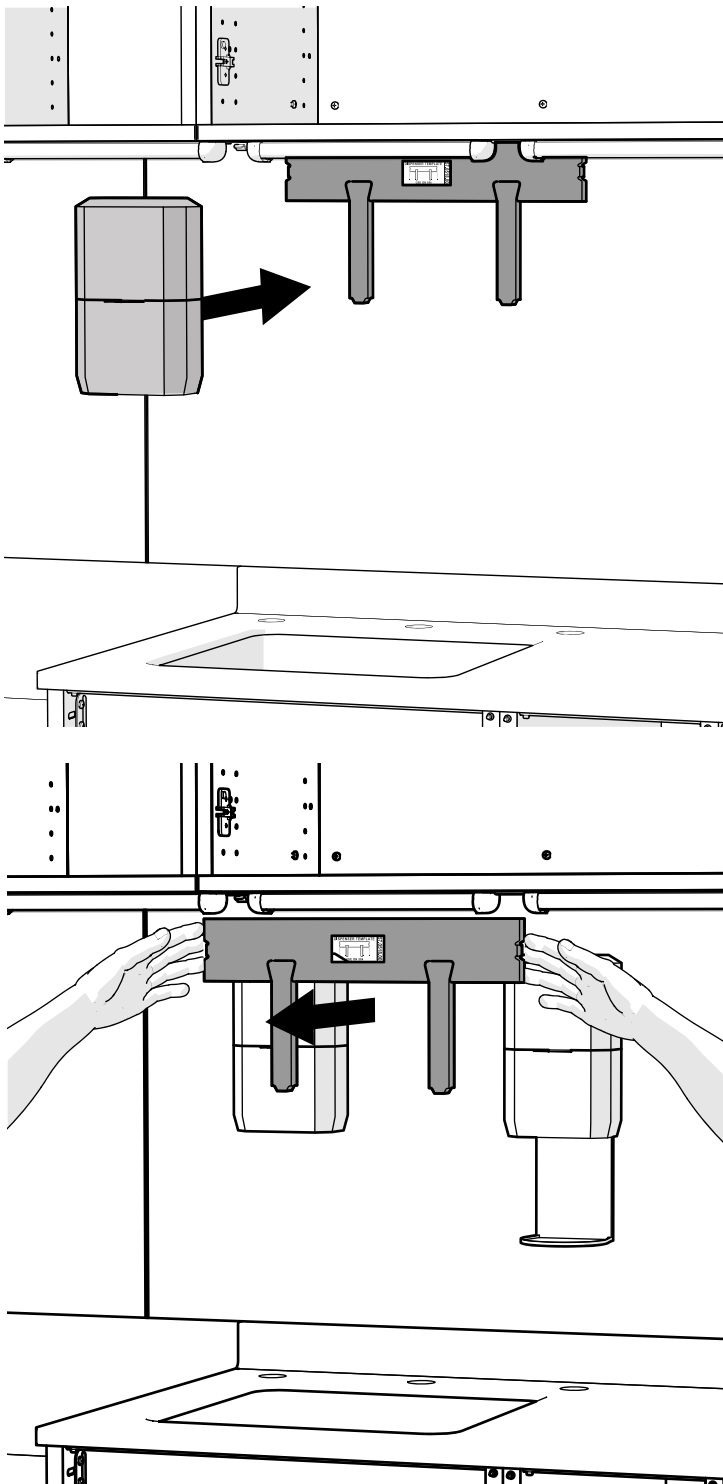
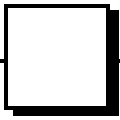


NOTE Some configurations will have only one dispenser.



NOTE If the recommended position of the hand sanitizer dispenser interferes with the HVE/syringe, you may need to determine a different position to provide clear access. When locating the dispenser in an alternative position, be sure to position the template to ensure the dispenser is installed squarely.

- 1** Remove the protective layer from the back of the template to expose the adhesive.
- 2** Position the template centered over the sink with its top against the bottom of the upper.
- 3** Press to secure the template to the wall panel.



CAUTION Do not allow the dispenser to touch the support column until it is in position. The adhesive is very strong and the dispenser is not easily removed once it is attached.

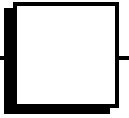
- 4** Remove the protective layer from the back of the soap dispenser.
- 5** Position the soap dispenser with its top and right sides flush against the left side of the template, then secure it to the alcove. Anchor the dispenser using the screws that shipped inside it.
- 6** Remove the protective layer from the back of the hand sanitizer dispenser.
- 7** Position the hand sanitizer dispenser with its top and left sides flush against the right side of the template, then secure it to the alcove. Anchor the dispenser using the screws that shipped inside it.
- 8** To attach the drip tray, push it into the bottom of the hand sanitizer dispenser.
- 9** To remove the template, grasp it from its sides at the top and pull straight out.



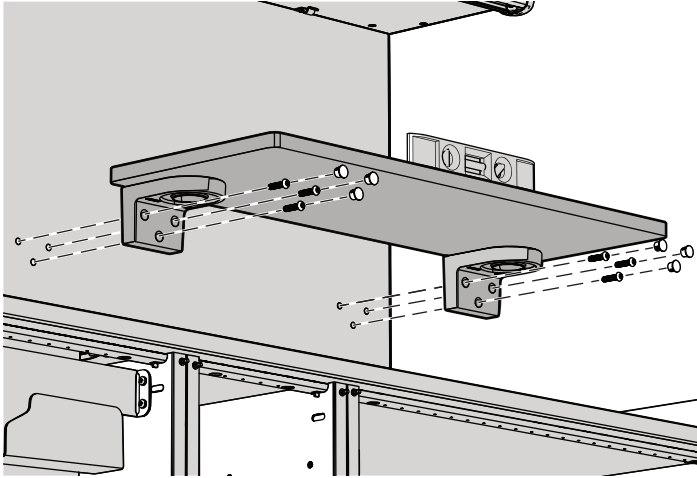
TIP Pull with more pressure on one side of the template to make it easier to remove it.

Install Faucets

To install the faucets and vessel sinks, see the manufacturer's instructions that ship with the product.

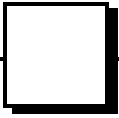


Install the Fixed Shelf

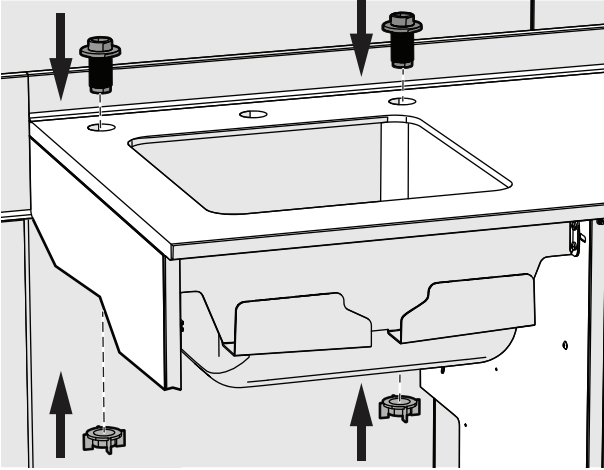


Actual Size

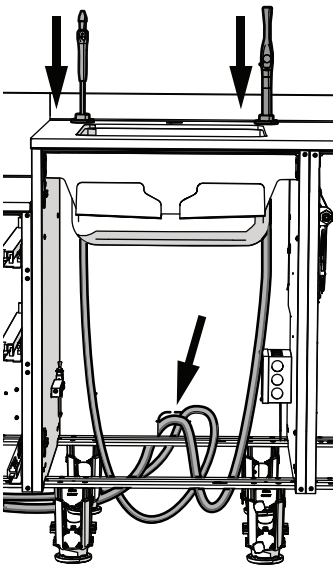
- 1** Use a hex key and six screws to secure the fixed shelf to the wall panel. Make sure the shelf is level before fully securing.
- 2** Install the caps over the screws.



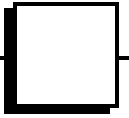
Install the HVE and Syringe (optional)



- 1** In the hole in the countertop that is closest to the cleaning device, insert the top of the HVE's base.
- 2** Insert the base of the syringe in the other hole.
- 3** Secure both bases from beneath the countertop.

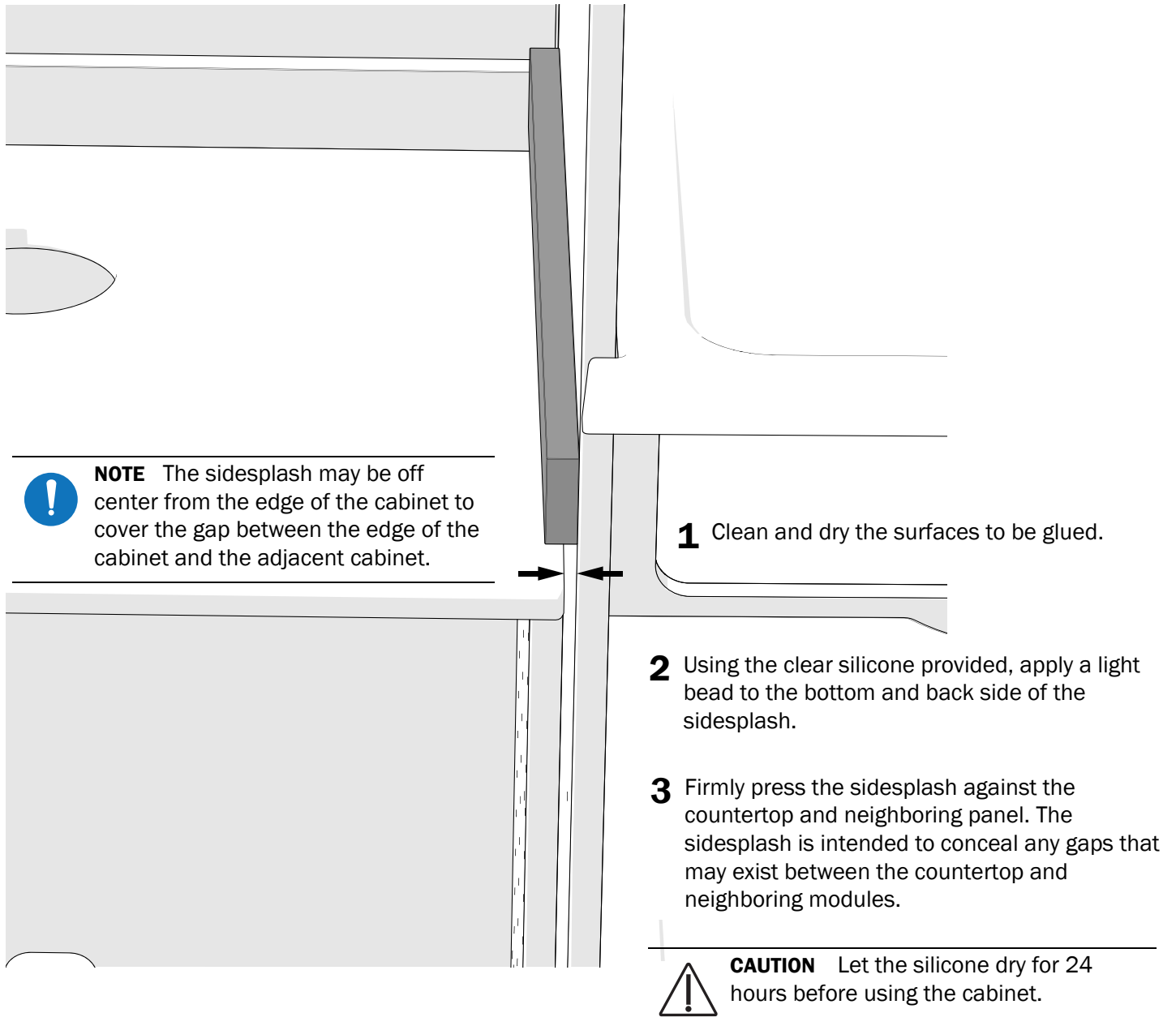


- 4** Insert the tubing down through the countertop.
- 5** Create enough of a service loop under the sink so the HVE/syringe can easily reach where they will be used.
- 6** Route the remaining tubing through the cutout and behind the rail. Route the HVE to the vacuum and the syringe to the air supply.



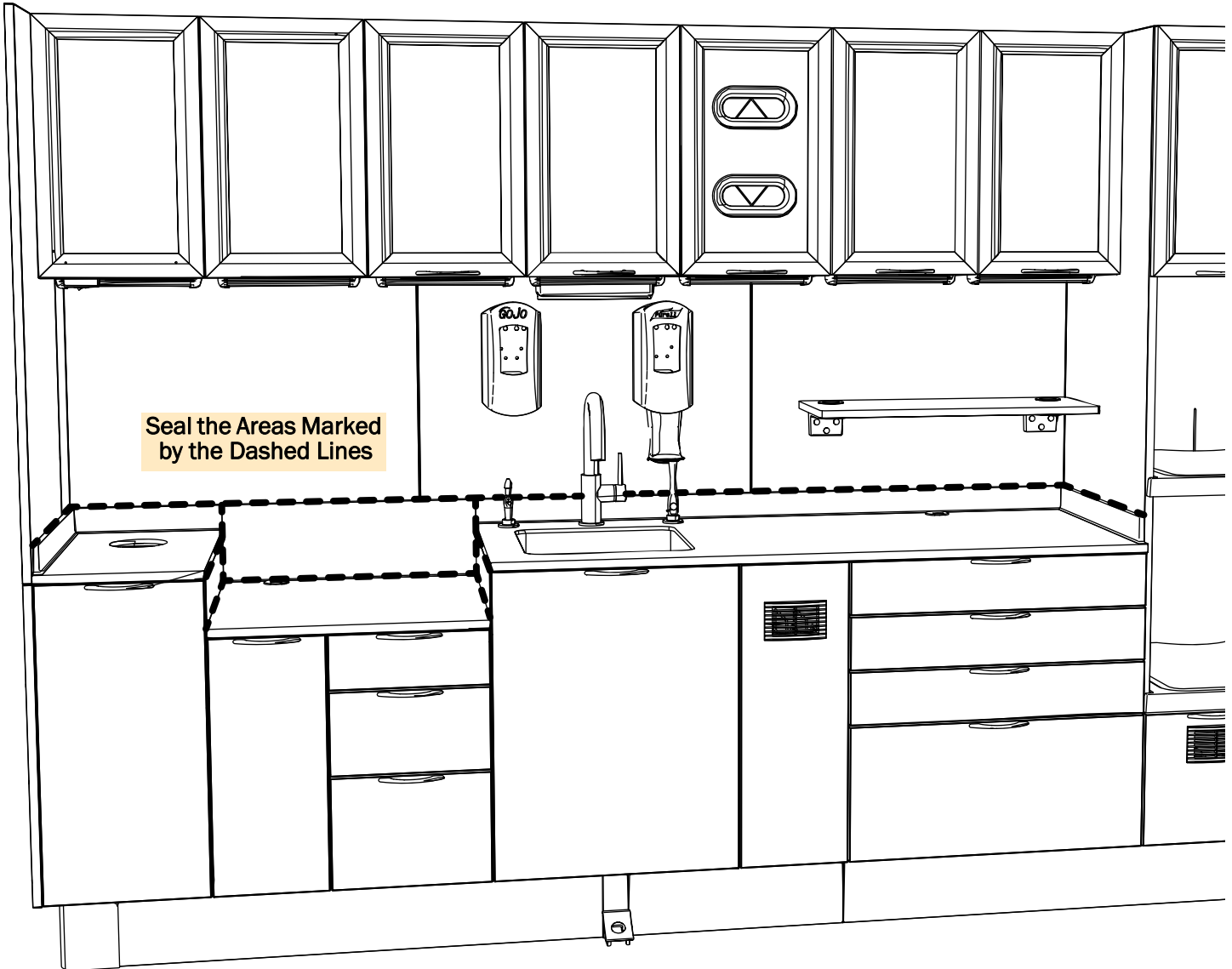
Install the Sidesplashes

Use the clear silicone provided to install the side splashes on the countertops. Identify the installation location of each sidesplash. Sidesplashes come in two lengths and two heights. Use taller sidesplashes with the lowered height ultrasonic modules only. Use the longer sidesplashes, approximately 23.5", when installing against an endcap. Use the shorter sidesplashes, approximately 22.5" long, when installing against a tower module.



O Complete the Installation

Seal the Cabinet

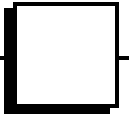


Seal the following places with silicone (p/n 048.080.00):

- Between the backsplash and the wall panels.
- Between the sidesplashes and towers/endcaps.

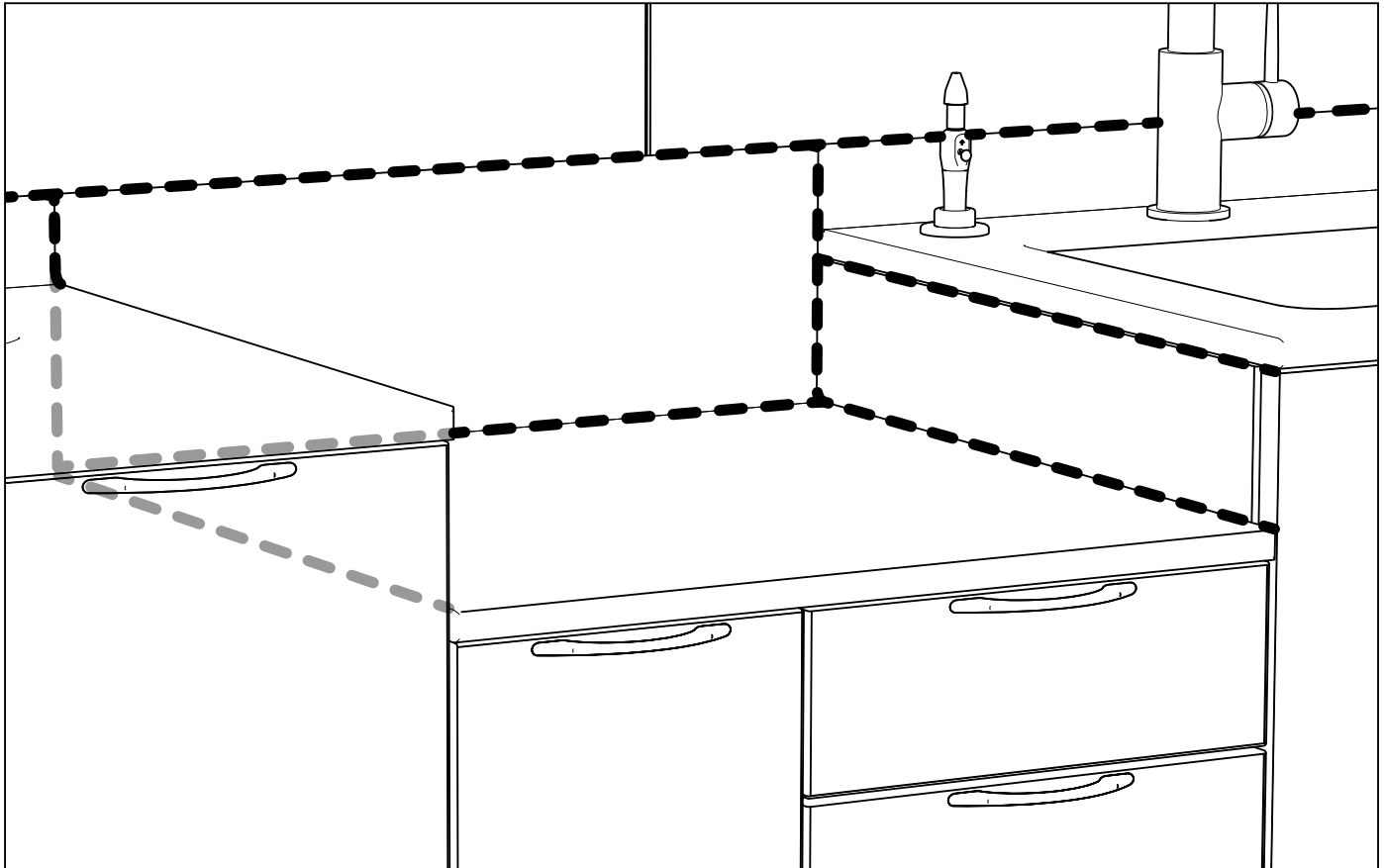


NOTE Do not seal between the backsplash and the interior column cover.



Seal the Cabinet (continued)

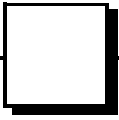
- If the cabinet includes a dropped ultrasonic module, seal both the upper and lower seams where the countertop of the dropped lower meets the adjacent lowers, and where the backsplashes meet.



Finish the Installation

To complete the installation:

- Completely remove all protective film.
- If the cabinet includes an open space between modules, use a Phillips head screwdriver to remove the shipping panel.
- Reinstall the false bottoms.
- Install glass shelves according to the following locations.
 - **14" Uppers** - p/n 57.0370.00 (12.25" x 12.25")
 - **28" Uppers** - p/n 57.0371.00 (12.25" x 26.25")



Test the System

After you have completed the installation of the A-dec Inspire 594 Sterilization Center, use the *A-dec Dental Furniture Installation Checklist* (p/n 86.0624.00) to test the system. The checklist ships with the product.

Regulatory Information and Warranty

For required regulatory information and the A-dec warranty, see the *Regulatory Information, Specifications, and Warranty* document (p/n 86.0221.00) available in the Resource Center at www.a-dec.com.



For quick access to this document online, scan, tap, or click this QR code, which points to a-dec.com/regulatory-guide.

Pozidriv is a registered trademark of Phillips Screw Company in the United States and may also be a trademark or registered trademark in other countries. All other trademarks cited herein are registered trademarks or trademarks of A-dec, Inc. in the United States and may also be trademarks or registered trademarks in other countries.



A-dec Headquarters

2601 Crestview Drive
Newberg, OR 97132 USA
Tel: 1.800.547.1883 Within USA/CAN
Tel: +1.503.538.7478 Outside USA/CAN
www.a-dec.com

A-dec, Inc. makes no warranty of any kind with regard to the content in this document including, but not limited to, the implied warranties of merchantability and fitness for a particular purpose.



86.0524.00 Rev H
Date of Issue 2023-03-07
Copyright 2023 A-dec, Inc.
All rights reserved.
IG_idf7