

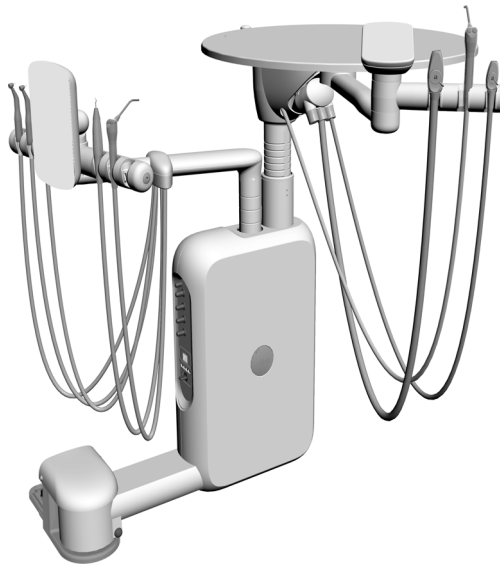


A-dec® 541pro Duo Delivery System and 545sta Assistant's Instrumentation

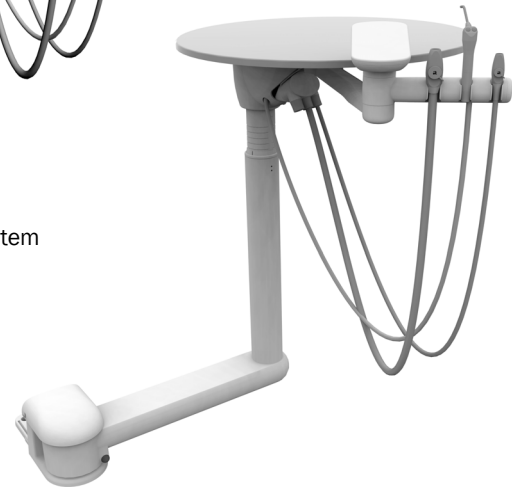
INSTALLATION GUIDE

Contents

Before You Begin	2
Install the Delivery System ..	3
Install the Water Bottle	6
Install the Indicator Light (300 W Power Supply only) ..	7
Connect the Data Line and Power Cable at a Cabinet ...	8
Connect the Remote Power Cables and Data Line at the Dental Chair	12
Connect the Tubing	26
Attach and Level the Round Worksurface	32
Install the Tray Holder Mount (optional)	35
Complete the Installation ..	37
Adjust the System	38
Customize Handpiece Settings	42
Test the System	43
Attach the Hub Mount Cover and Cabinet Doors	44
Regulatory Information and Warranty	48



541pro Duo Delivery System



545sta Assistant's Instrumentation

Product Models and Versions Covered in This Document*

Models	Versions	Description
545sta	n/a	Assistant's Instrumentation
541pro	n/a	Delivery System
411	A	Dental Chair
311ft/511ft	n/a	Dental Chair
311/511	A/B	Dental Chair
391/393/591/5562/5580/5662	A	Dental Furniture

*Some product models, versions, and options in this document may not be available in certain regions.

Before You Begin

The instructions for installing the A-dec 541pro Duo Delivery System and the A-dec 545sta Assistant's Instrumentation are nearly the same. Minor differences are highlighted in the instructions.

Before starting the installation:

- Check with local building and code authorities about installation requirements specific to your location.
- Check that the manual air shut-off valve is installed.
- For information about dimensions, range of motion, and placing the utilities, see the following:
 - *A-dec 541pro Duo Delivery System and 545sta Assistant's Instrumentation Pre-Installation Guide* (p/n 86.0034.00)
 - *A-dec Inspire® Dental Furniture Pre-Installation Guide* (p/n 86.0528.00)
 - *Preference Collection® Dental Furniture Pre-Installation Guide* (p/n 86.0142.00)

Recommended Tools

- | | | |
|--------------------|-----------------------------|---|
| • Diagonal cutters | • Anti-static wrist strap | • Needle-nose pliers |
| • Hex key set | • Phillips head screwdriver | • 3/4" socket (deep well) with 6" extension |
| • Torpedo level | • Drill and drill bits | • Voltmeter |

Install the Delivery System

Install the Delivery System Mount

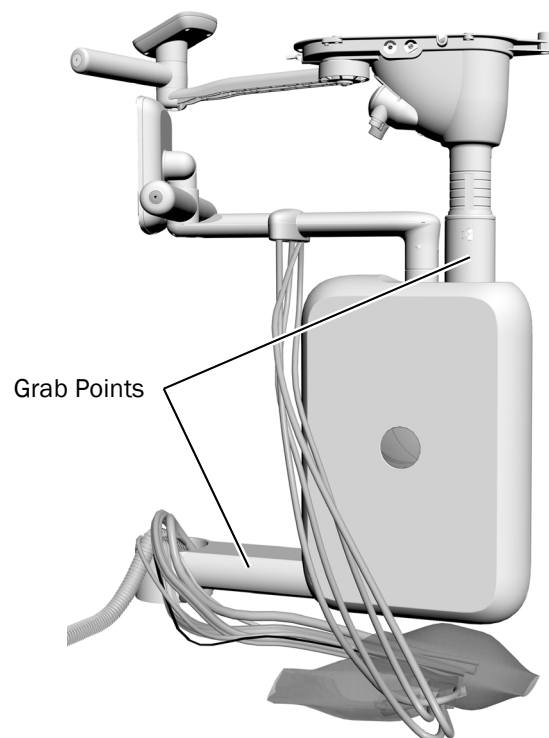
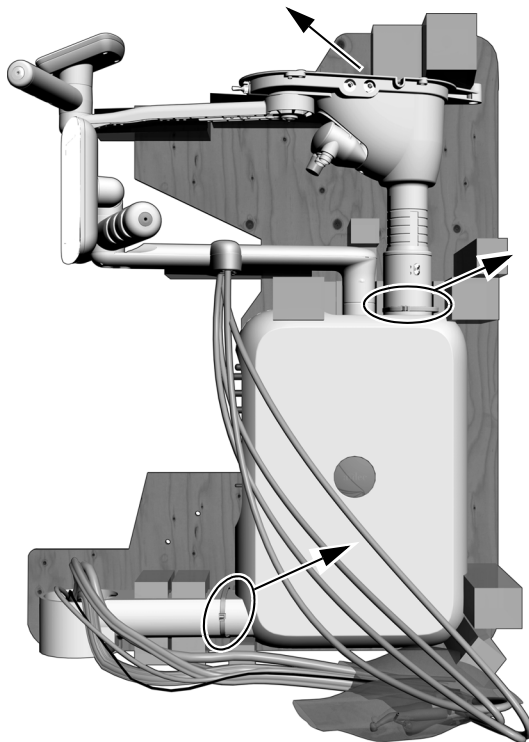
To install the 541pro/545sta delivery system mount, refer to the *A-dec 341pro/341flt/541pro/545sta/541/545 Delivery System Mount Installation Guide* (p/n 86.0003.00) that ships with the mount.

Unpack the Delivery System

Recommended Tool

- Diagonal cutters

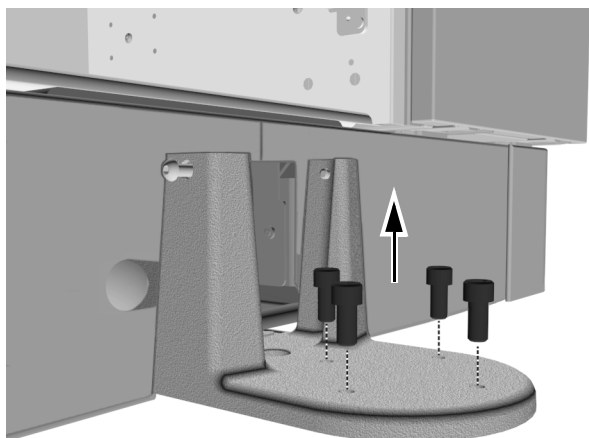
- 1** If installing on a cabinet, ensure the cabinet doors are not installed to provide clear access.
- 2** Cut the cable ties and remove the assembly from the pallet and box.



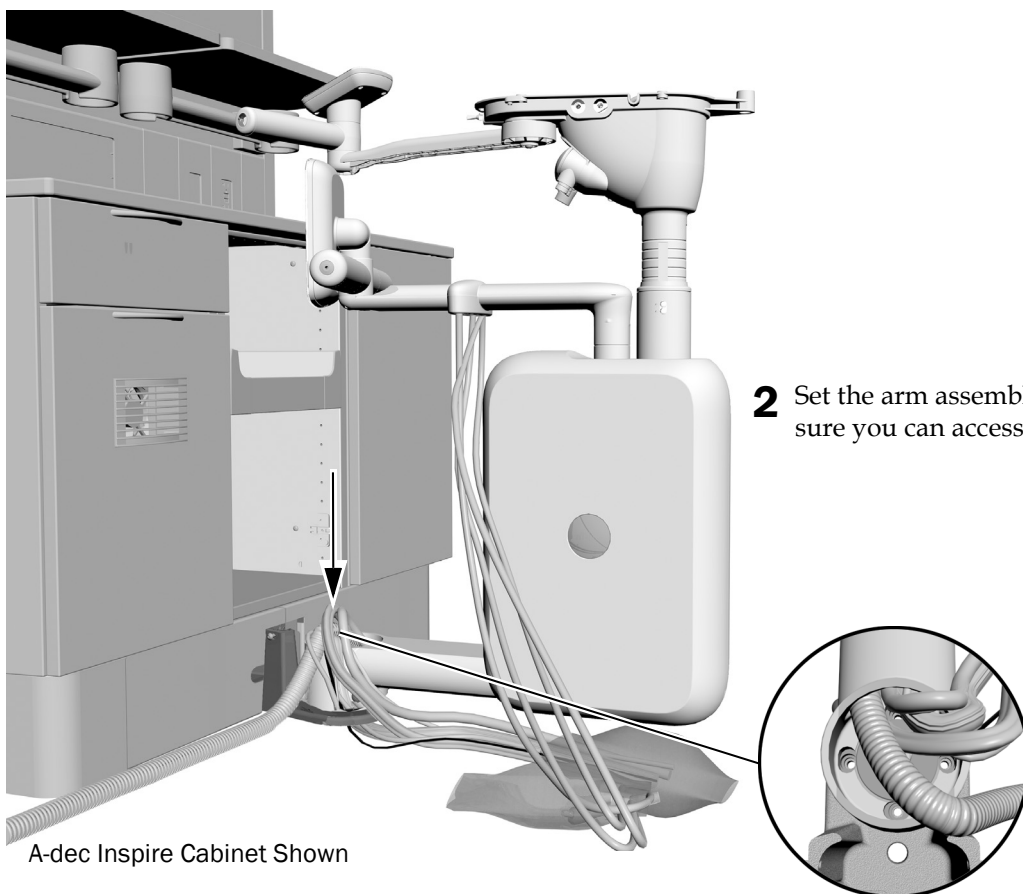
Install and Level the Arm Assembly

Recommended Tools

- 5/16" hex key
- Torpedo level

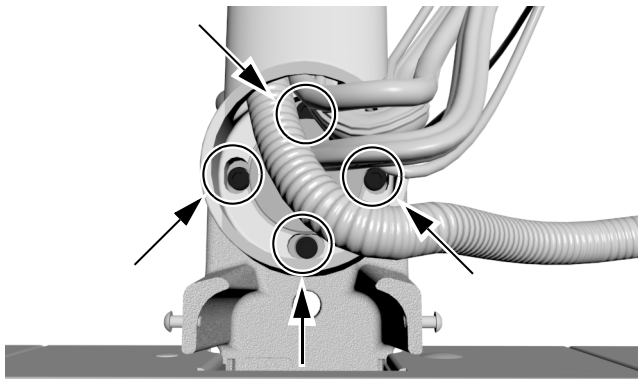


- 1** Use a 5/16" hex key to remove the four screws from the mount. Keep the screws to install the arm assembly.



- 2** Set the arm assembly on the mount. Make sure you can access the mount holes.

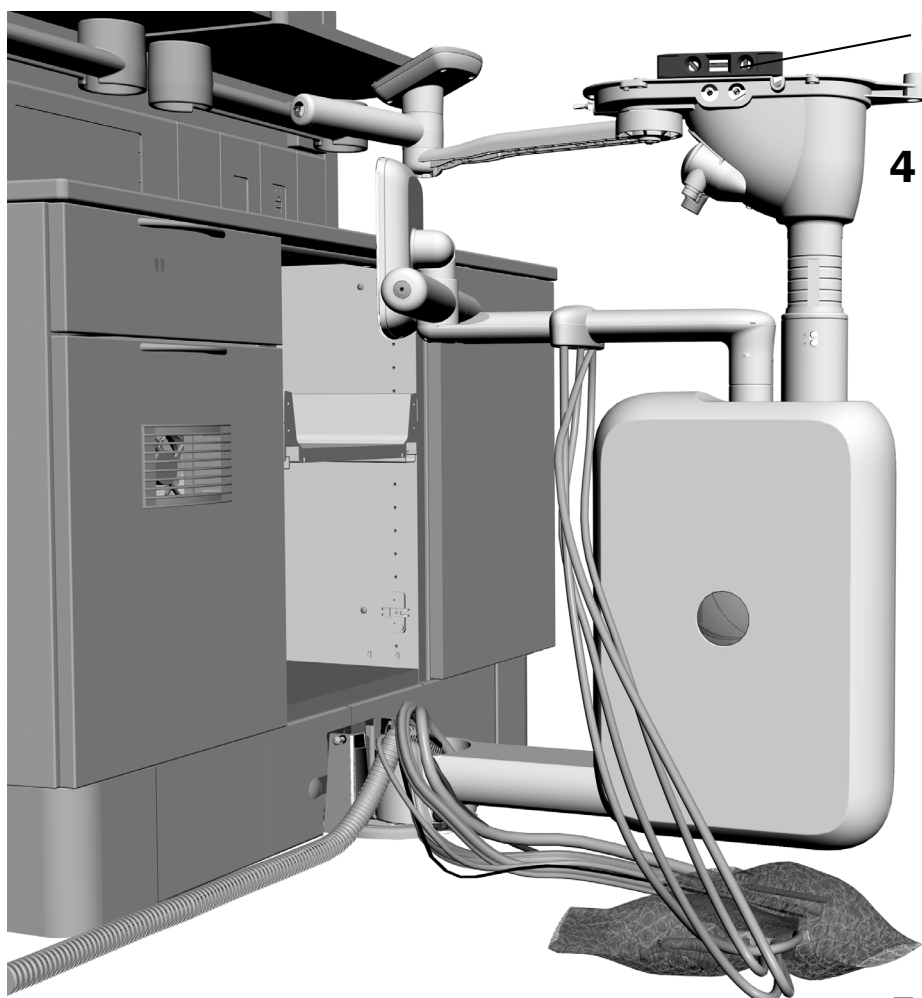
A-dec Inspire Cabinet Shown



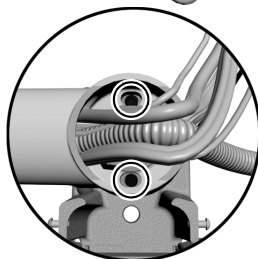
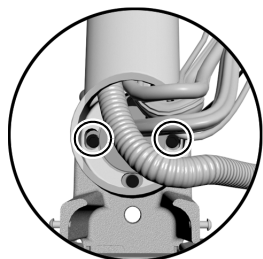
3 Use a 5/16" hex key to loosely install the four screws that you removed from step 1 in the mount holes.



TIP You may need to rotate the assembly to access all of the screws.



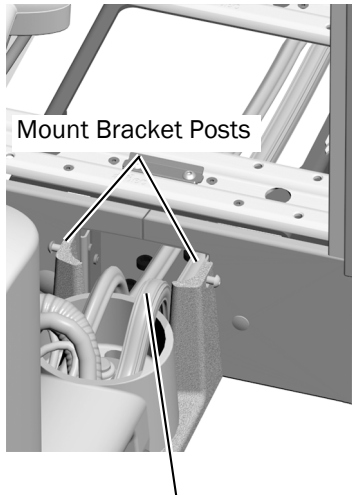
4 Place a level on the worksurface casting.



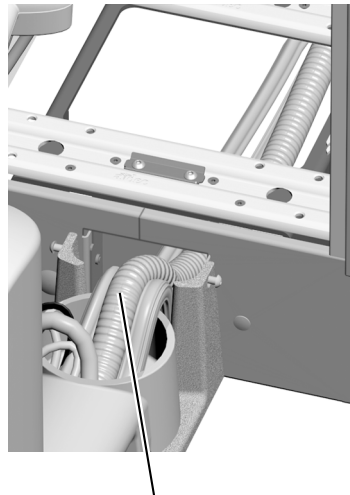
5 Level the hub by loosening and tightening the side-to-side mounting screws, as necessary.

Rotate the assembly and check the level. Loosen and tighten the front-to-back mounting screws, as necessary.

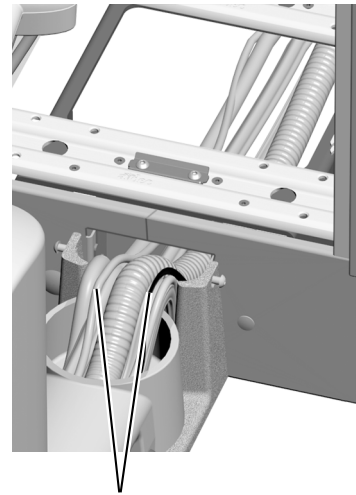
Route the Delivery System Cables and Tubing



- 1** Route the regulator assembly cable between the mount bracket posts and into the cabinet.



- 2** Route the vacuum line next.

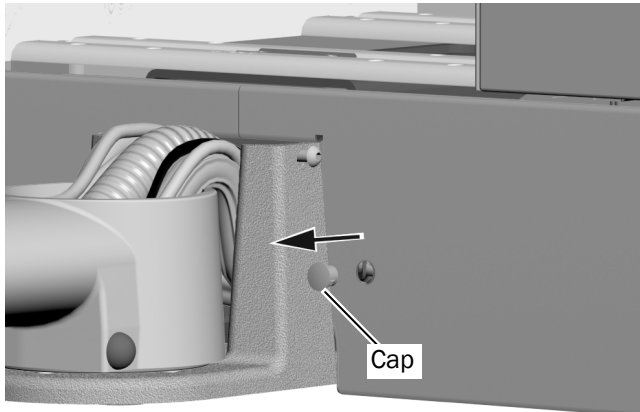


- 3** Route the rest of the cables. Ensure all tubing and cables are completely tucked between the posts and are straight, not crossed.

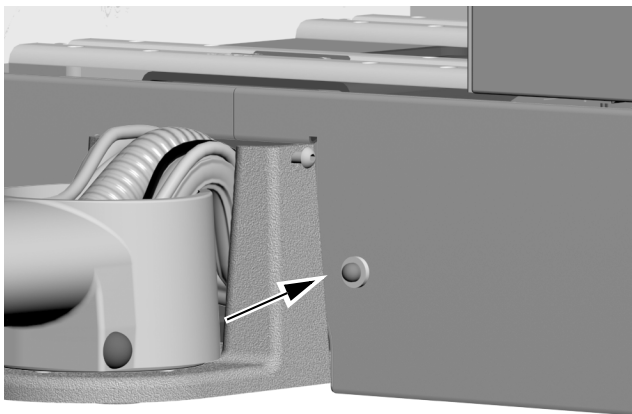
Install the Water Bottle

To install the remote mount water bottle, use the instructions that ship with the water bottle.

Install the Indicator Light (300 W Power Supply only)



- 1** Remove the cap from the indicator light opening in the cabinet.



- 2** Insert the indicator light into the opening.

Connect the Data Line and Power Cable at a Cabinet

Connect the Data Line at a Cabinet

Complete the instructions for the system's configuration:

Connect the Data Line From an A-dec 541pro/545sta to a Distribution Box in an A-dec Inspire Cabinet 8

Connect the Data Line From an A-dec 541pro/545sta to a Preference® Cabinet or Non-A-dec Cabinet/Chair ... 8

Connect the Data Line From an A-dec 541pro/545sta to a Distribution Box in an A-dec Inspire Cabinet

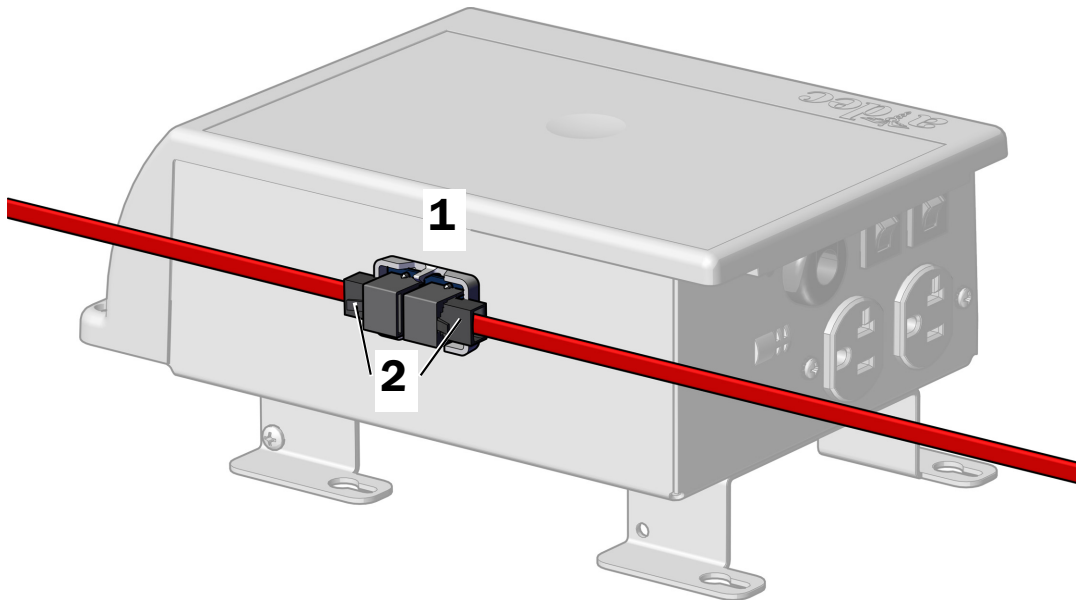


CAUTION A red DCS2 data line cannot be plugged into the Inspire cabinet distribution box. A coupler board must be used to connect a DCS2 data line from the cabinet to the chair board.



TIP To provide easier access for making connections, position the distribution box outside of the cabinet.

1. Peel the paper backing off the coupler board and attach it to the side of the distribution box.
2. Connect the red DCS2 data line from the delivery system into one end of the coupler board and connect the 25' red DCS2 data line into the other end of the board.
3. Route the 25' DCS2 data line to the dental chair power supply.



Next Step See "Connect the Power Cables at the Cabinet" on page 9.

Connect the Data Line From an A-dec 541pro/545sta to a Preference® Cabinet or Non-A-dec Cabinet/Chair

1. Use the coupler board to connect the DCS2 data line from the delivery system to the 25' DCS2 data line.
2. At the chair, connect the 25' DCS2 data line to the gray port on the translator board.
3. Connect a DCS1 data line from the black port on the translator board to the chair.

Connect the Power Cables at the Cabinet



WARNING Failure to turn off or disconnect the power before you begin this procedure can lead to product damage and result in serious injury or death.

1. Turn off power to the system.

Complete the instructions for the system's configuration:

Connect the Power Cables to an A-dec 300 W Stand-Alone Power Supply	9
Connect a Power Cable to a Remote Power Cable	11

Connect the Power Cables to an A-dec 300 W Stand-Alone Power Supply

Complete the instructions for the product you are installing:

Connect the Power Cables from an A-dec 541pro to an A-dec 300 W Stand-Alone Power Supply	9
Connect the Power Cables from an A-dec 545sta to an A-dec 300 W Stand-Alone Power Supply	10

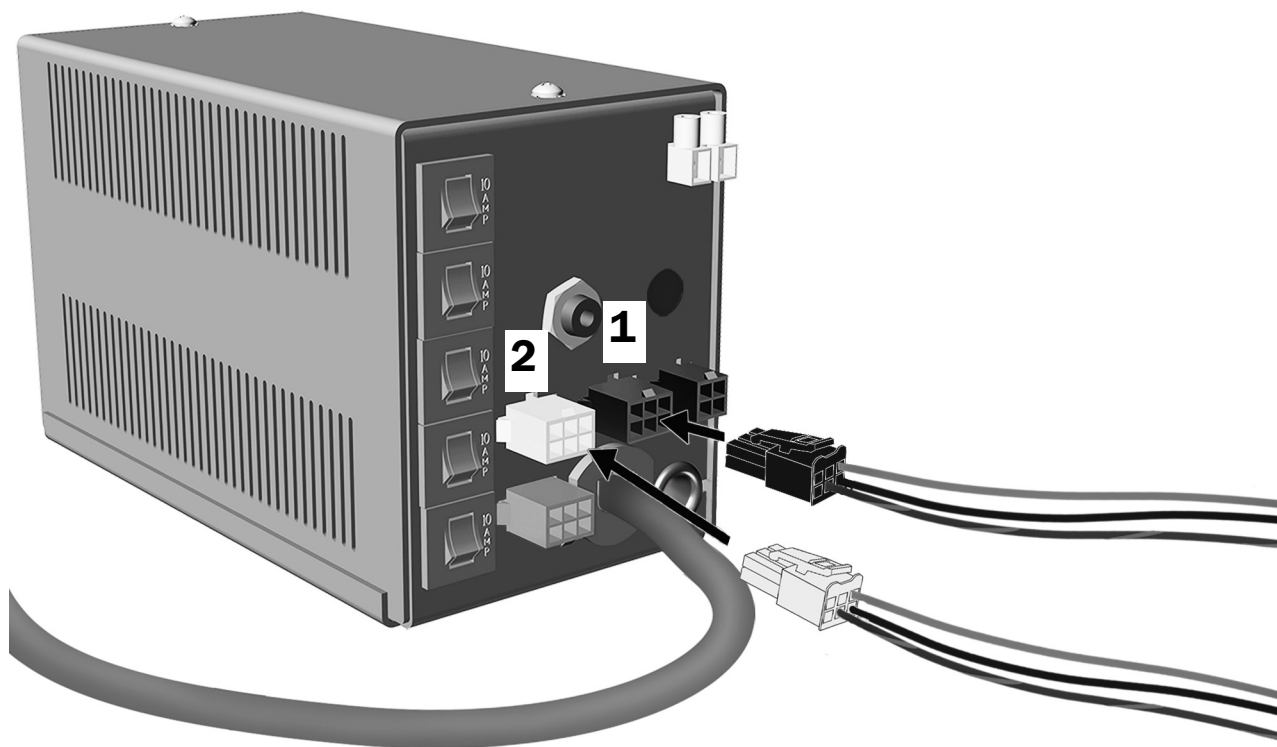
Connect the Power Cables from an A-dec 541pro to an A-dec 300 W Stand-Alone Power Supply



1. Connect the four-position connector from the delivery system to the power supply.
2. Connect the six-position connector from the assistant's instrumentation to the power supply.
3. Connect the indicator light connector to the power supply.

Next Step See "Connect the Remote Power Cables and Data Line at the Dental Chair" on page 12.

Connect the Power Cables from an A-dec 545sta to an A-dec 300 W Stand-Alone Power Supply



1. Connect the six-position connector from the assistant's instrumentation to the power supply.
2. Connect the indicator light connector to the power supply.

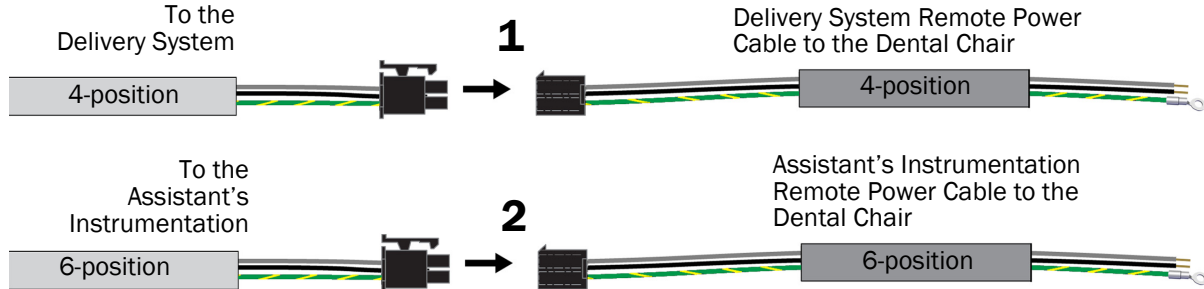
Next Step See "Connect the Remote Power Cables and Data Line at the Dental Chair" on page 12.

Connect a Power Cable to a Remote Power Cable

Complete the instructions for the product you are installing:

Connect the A-dec 541pro Power Cables to Remote Power Cables	11
Connect the A-dec 545sta Power Cable to a Remote Power Cable	11

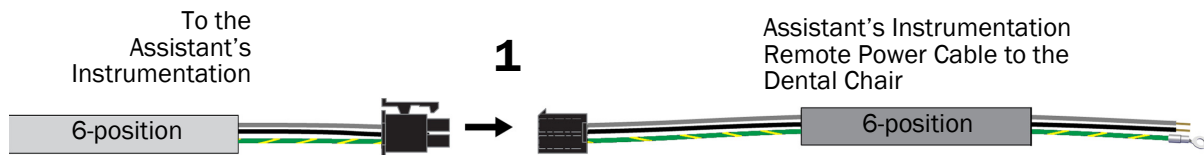
Connect the A-dec 541pro Power Cables to Remote Power Cables



1. Connect the four-position connector from the delivery system to the connector on the delivery system remote power cable.
2. Connect the six-position connector from the assistant's instrumentation to the connector on the assistant's instrumentation remote power cable.
3. Route the remote power cables to the dental chair power supply.

Next Step See "Connect the Remote Power Cables and Data Line at the Dental Chair" on page 12.

Connect the A-dec 545sta Power Cable to a Remote Power Cable



1. Connect the six-position connector from the assistant's instrumentation to the connector on the assistant's instrumentation remote power cable.
2. Route the remote power cable to the dental chair power supply.

Connect the Remote Power Cables and Data Line at the Dental Chair



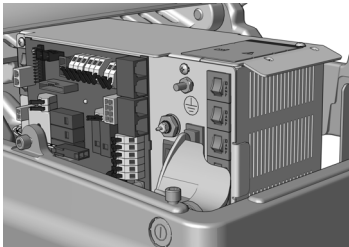
ATTENTION Circuit boards are sensitive to static electricity. Electrostatic Discharge (ESD) precautions are required when touching a circuit board or making connections to or from the circuit board. Circuit boards should be installed only by an electrician or qualified service person.



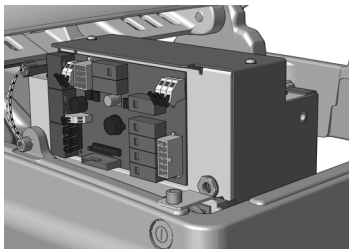
WARNING Failure to turn off or disconnect the power before you begin this procedure can lead to product damage and result in serious injury or death.

1. Turn off the power to the chair.

Complete the instructions for the system's configuration:



Connect the Remote Power Cables and Data Line to an A-dec Universal Power Supply Manufactured After June 2023 13



Connect the Remote Power Cables and Data Line to an A-dec 511 Power Supply Manufactured Before June 2023 15



Connect the Remote Power Cables and Data Line to an A-dec 311/411 Power Supply Manufactured Before June 2023 21



Connect the Power Cables and Data Line Used with an A-dec 300 W Stand-Alone Power Supply 25

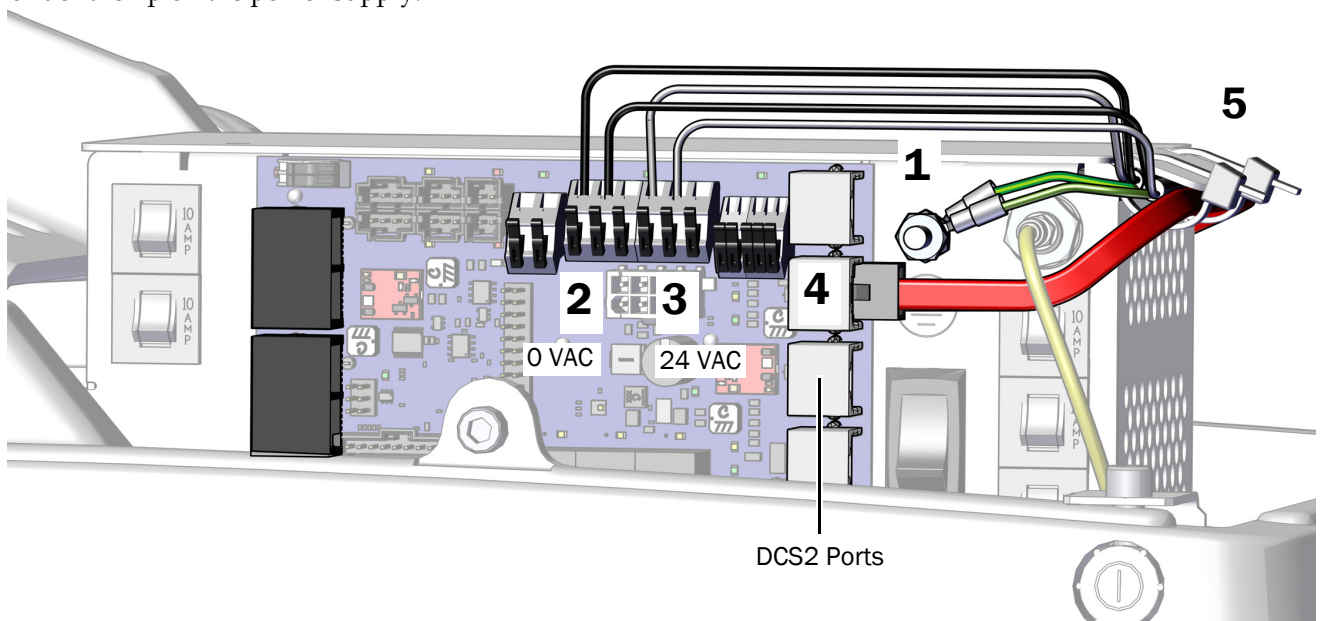
Connect the Remote Power Cables and Data Line to an A-dec Universal Power Supply Manufactured After June 2023

Complete the instructions for the product you are installing:

Connect A-dec 541pro Remote Power Cables and Data Line to an A-dec Universal Power Supply	13
Connect A-dec 545sta Remote Power Cable and Data Line to an A-dec Universal Power Supply	14

Connect A-dec 541pro Remote Power Cables and Data Line to an A-dec Universal Power Supply

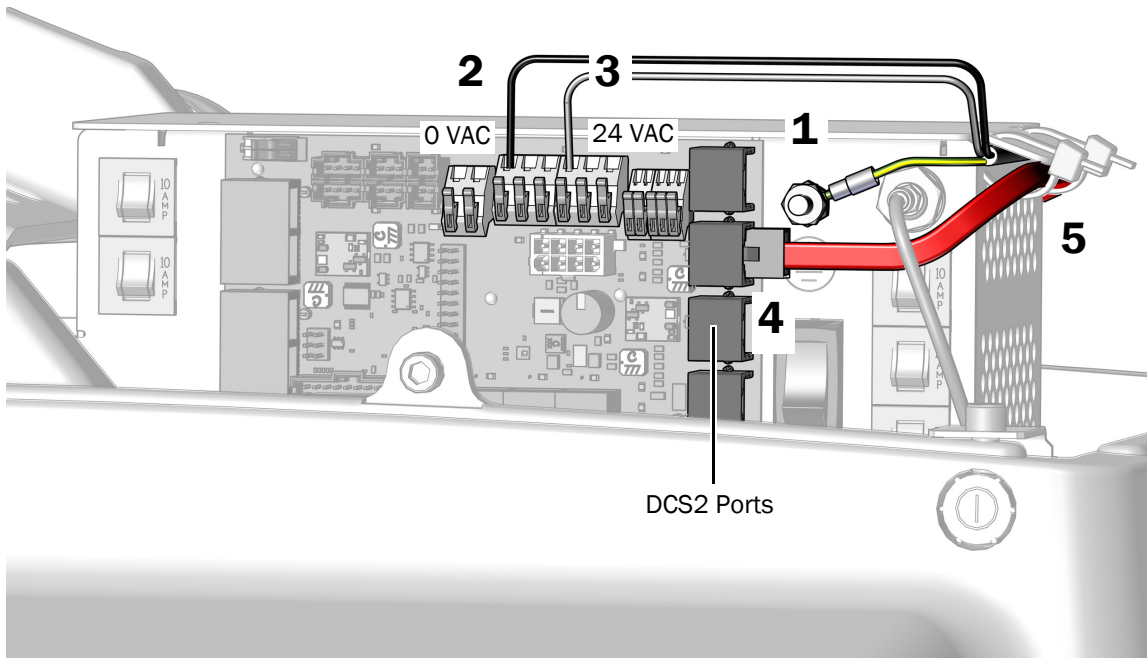
1. Attach the green/yellow ground wires from the remote power cables to the ground terminal on the power supply housing.
2. Connect the black wires from the remote power cables to 0 VAC.
3. Connect the gray wires from the remote power cables to 24 VAC.
4. Plug the red data line from the delivery system into any DCS2 data port.
5. Once all of the electrical connections have been made for the system's modules, secure the wires and data line under the lip on the power supply.



Next Step See "Connect the Tubing" on page 26.

Connect A-dec 545sta Remote Power Cable and Data Line to an A-dec Universal Power Supply

1. Attach the green/yellow ground wire from the remote power cable to the ground terminal on the power supply housing.
2. Connect the black wire from the remote power cable to 0 VAC.
3. Connect the gray from the remote power cable to 24 VAC.
4. Plug the red DCS2 data line from the assistant's instrumentation into a DCS2 port.
5. Once all of the electrical connections have been made for the system's modules, secure the wires and data line under the lip on the power supply.



Next Step See "Connect the Tubing" on page 26.

Connect the Remote Power Cables and Data Line to an A-dec 511 Power Supply Manufactured Before June 2023

Complete the instructions for the product you are installing:

Connect A-dec 541pro Remote Power Cables and Data Line to an A-dec 511 Power Supply	15
Connect A-dec 545sta Remote Power Cable and Data Line to an A-dec 511 Power Supply	18

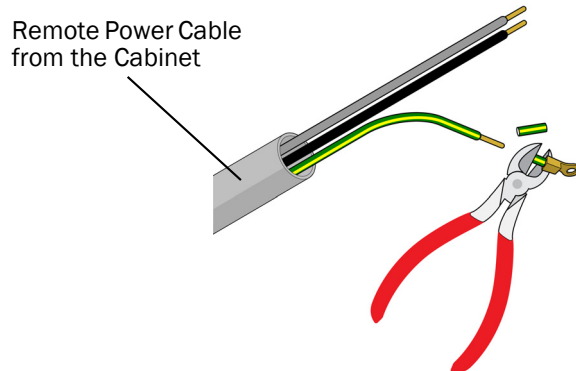
Connect A-dec 541pro Remote Power Cables and Data Line to an A-dec 511 Power Supply

Task 1.

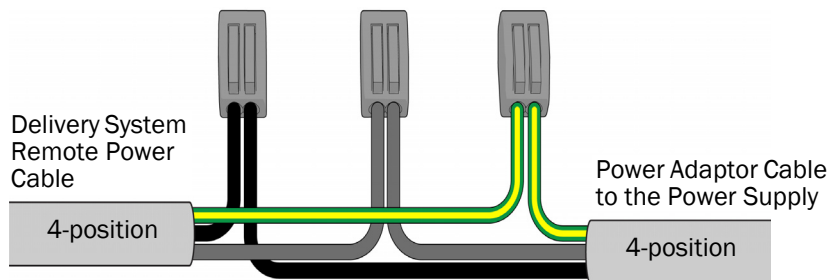
Recommended Tools

- Diagonal cutters
- Wire strippers

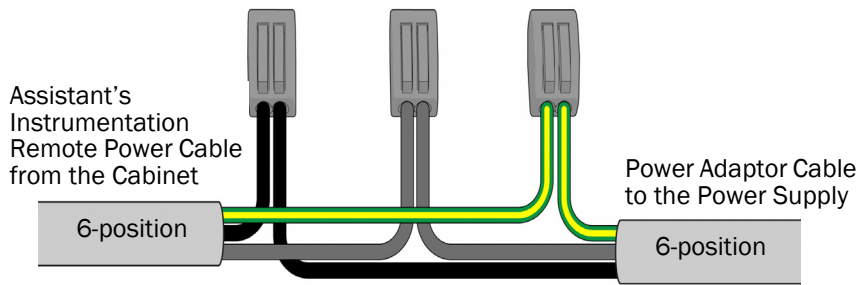
1. Cut the eyelet off of the green/yellow ground wire of the delivery system and assistant's instrumentation remote power cables and strip back the wires 3/8" (10 mm).



2. Use wire connectors to connect the delivery system remote power cable black wires, gray wires, and ground wires to a 4-position power adaptor cable, matching wire colors.

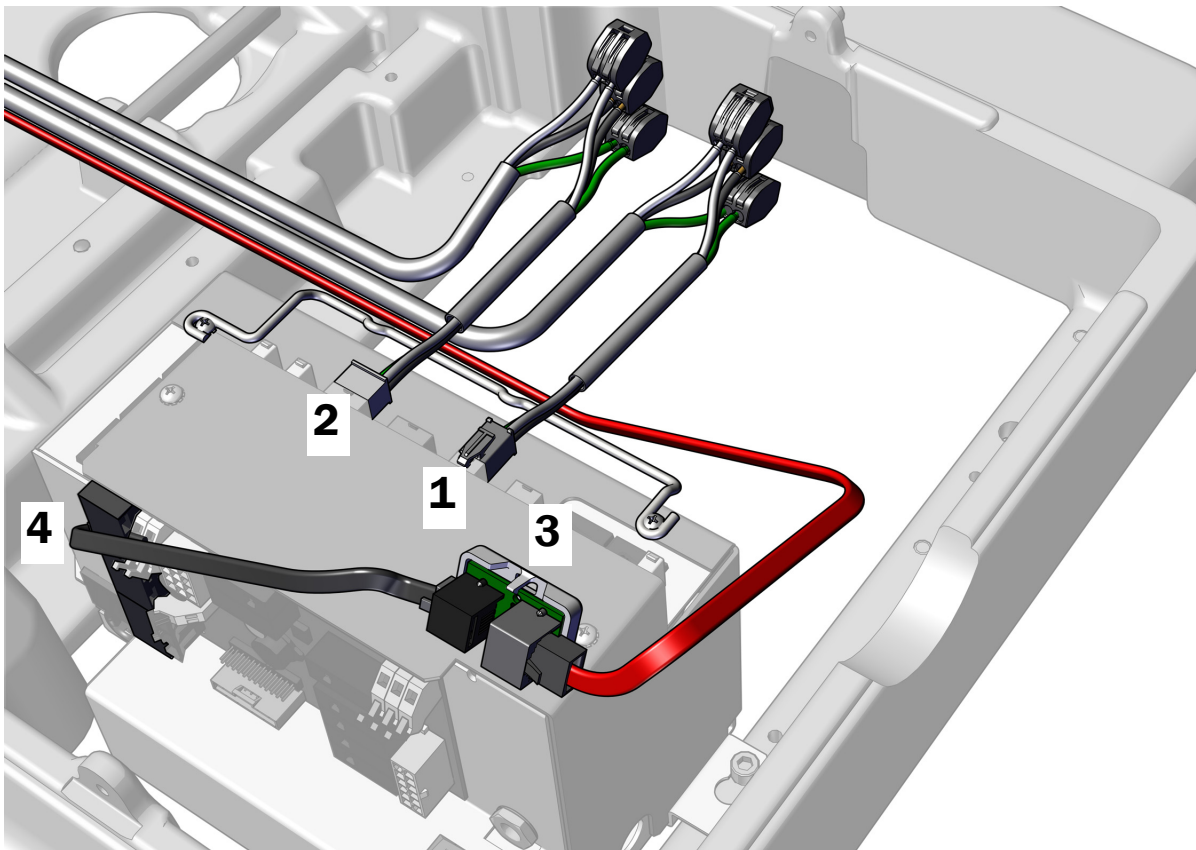


3. Use wire connectors to connect the assistant's instrumentation remote power cable black wires, gray wires, and ground wires to a 6-position power adaptor cable, matching colors.



Task 2.

1. Plug in the four-position power adaptor cable.
2. Plug in the six-position power adaptor cable.
3. Position the translator board with the gray DCS2 port toward the toe of the chair and connect the red DCS2 data line to the gray port.
4. Connect the black DCS1 data line from the black port on the translator board to any data port on the power supply.



Task 3.



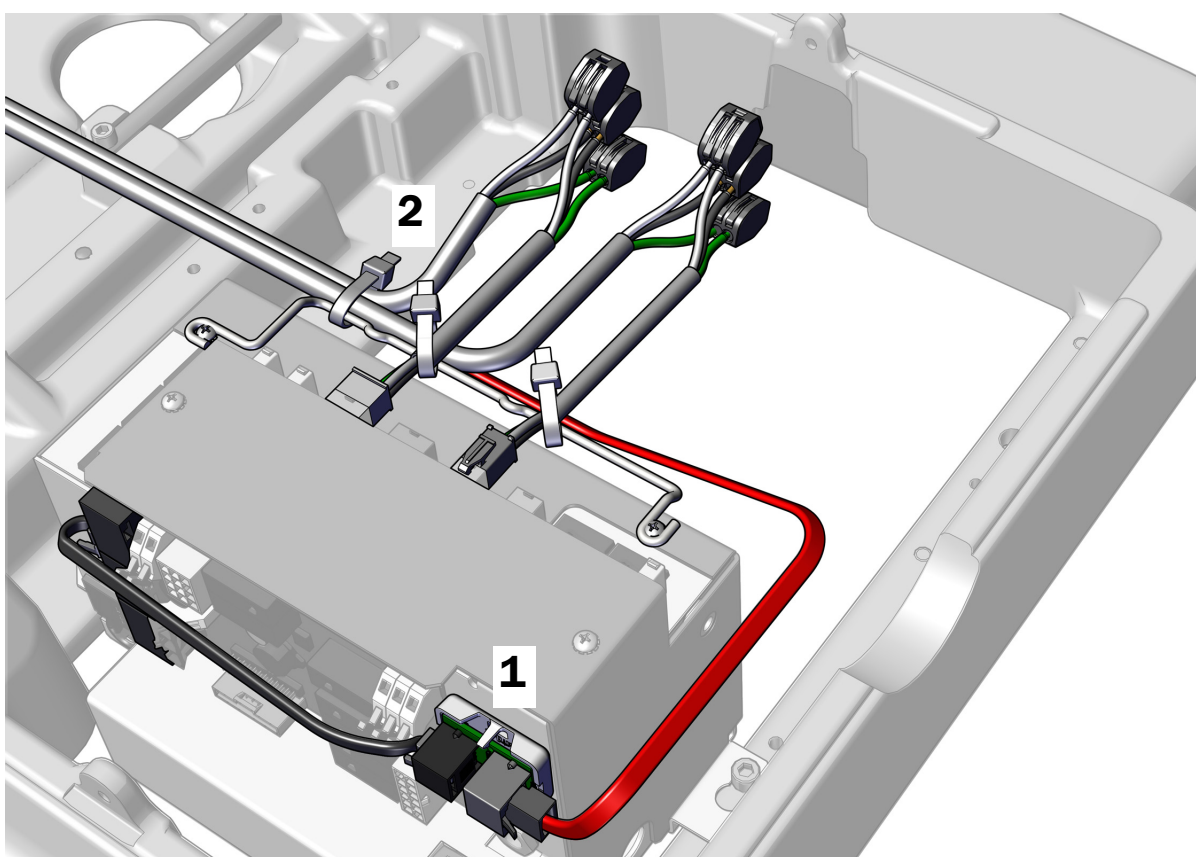
CAUTION Do not attach the translator board to the top of the power supply chassis. The pump cover will not fit.

1. Peel off the protective paper from the translator board. Attach the translator board to the front of the power supply in the upper right corner.



NOTE If there is already an adaptor board for an LED light attached to the power supply, stack the translator board below it.

2. Once all the electrical connections have been made for the system's modules, use cable ties to secure the wires and data line to the bail.



Next Step See "Connect the Tubing" on page 26.

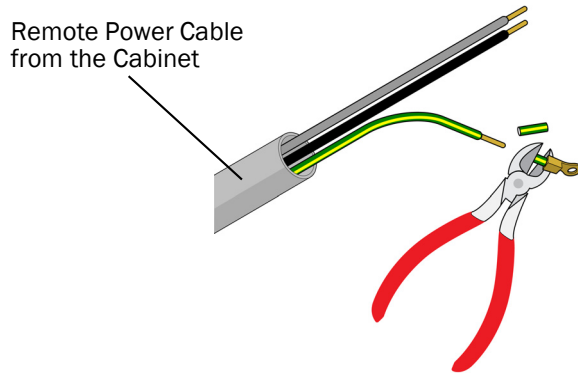
Connect A-dec 545sta Remote Power Cable and Data Line to an A-dec 511 Power Supply

Task 1.

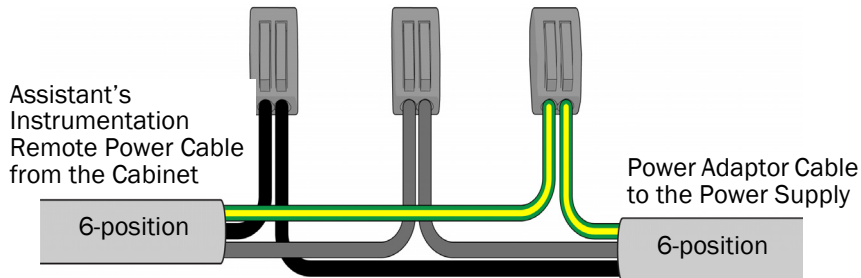
Recommended Tools

- Diagonal cutters
- Wire strippers

1. Cut the eyelet off of the green/yellow ground wire of the assistant's instrumentation remote power cables and strip back the wires 3/8" (10 mm).

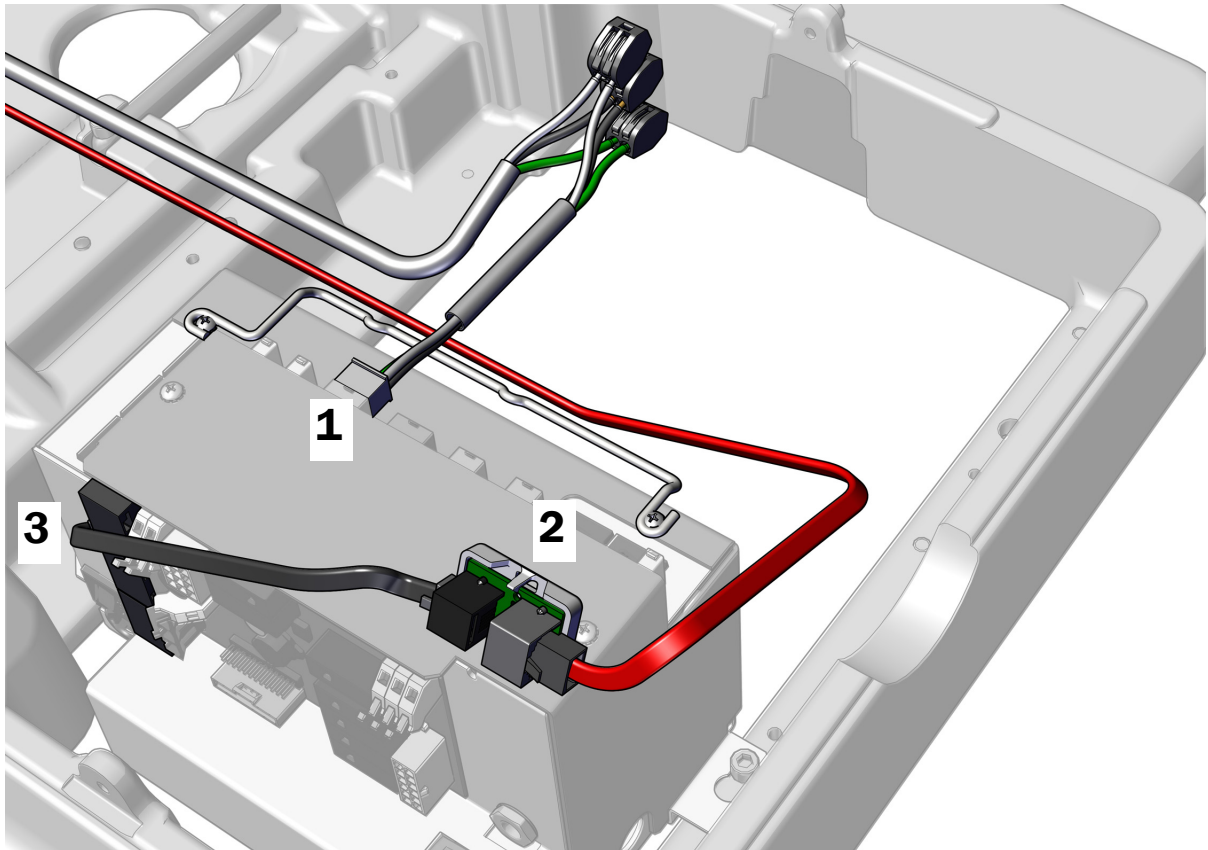


2. Use wire connectors to connect the assistant's instrumentation remote power cable black wires, gray wires, and ground wires to a 6-position power adaptor cable, matching colors.



Task 2.

1. Plug in the six-position power adaptor cable.
2. Position the translator board with the gray DCS2 port toward the toe of the chair and connect the red DCS2 data line to the gray port.
3. Connect the black DCS1 data line from the black port on the translator board to any data port on the power supply.



Connect the Remote Power Cables and Data Line to an A-dec 311/411 Power Supply Manufactured Before June 2023

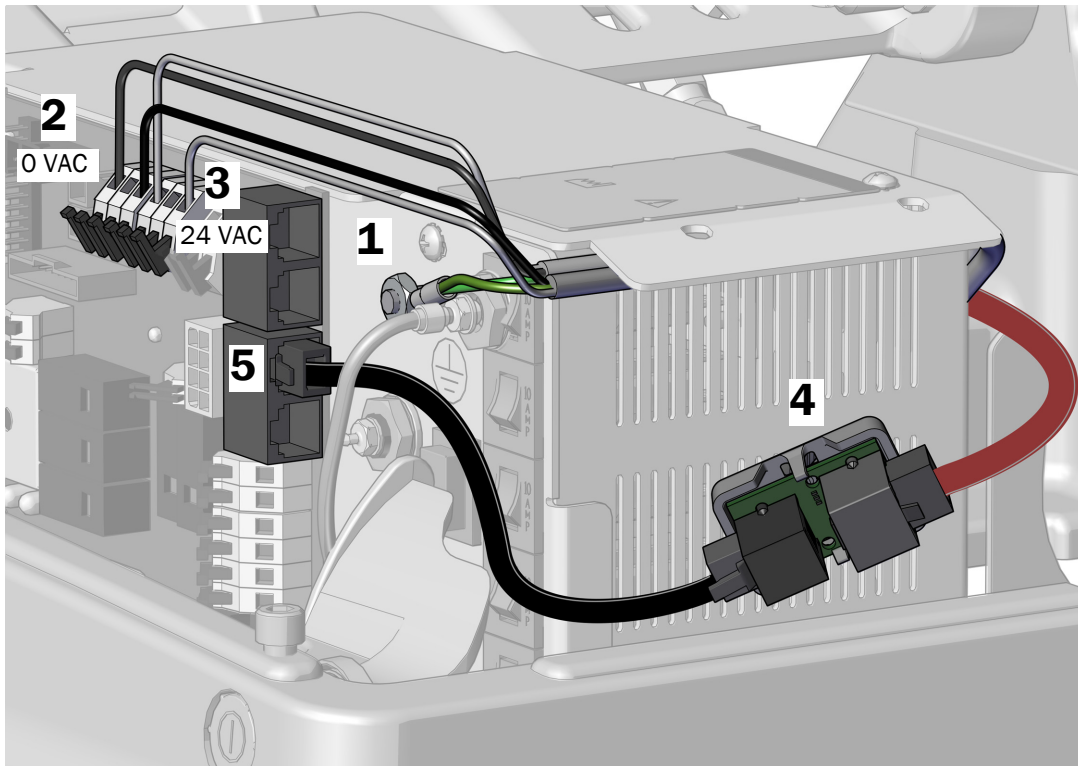
Complete the instructions for the product you are installing:

Connect A-dec 541pro Remote Power Cables and Data Line to an A-dec 311/411 Power Supply	21
Connect A-dec 545sta Remote Power Cable and Data Line to an A-dec 311/411 Power Supply	23

Connect A-dec 541pro Remote Power Cables and Data Line to an A-dec 311/411 Power Supply

Task 1.

1. Attach the green/yellow ground wires from the remote power cables to the ground terminal on the power supply housing.
2. Connect the black wires from the remote power cables to 0 VAC.
3. Connect the gray wires from the remote power cables to 24 VAC.
4. Position the translator board with the gray DCS2 port towards the back of the power supply. Plug the red DCS2 data line from the delivery system into the gray DCS2 port on the translator board.
5. Plug one end of the black DCS1 data line into the translator board and the other end into any of the DCS1 data ports on the chair circuit board.



Task 2.

1. Peel off the protective paper from the translator board.



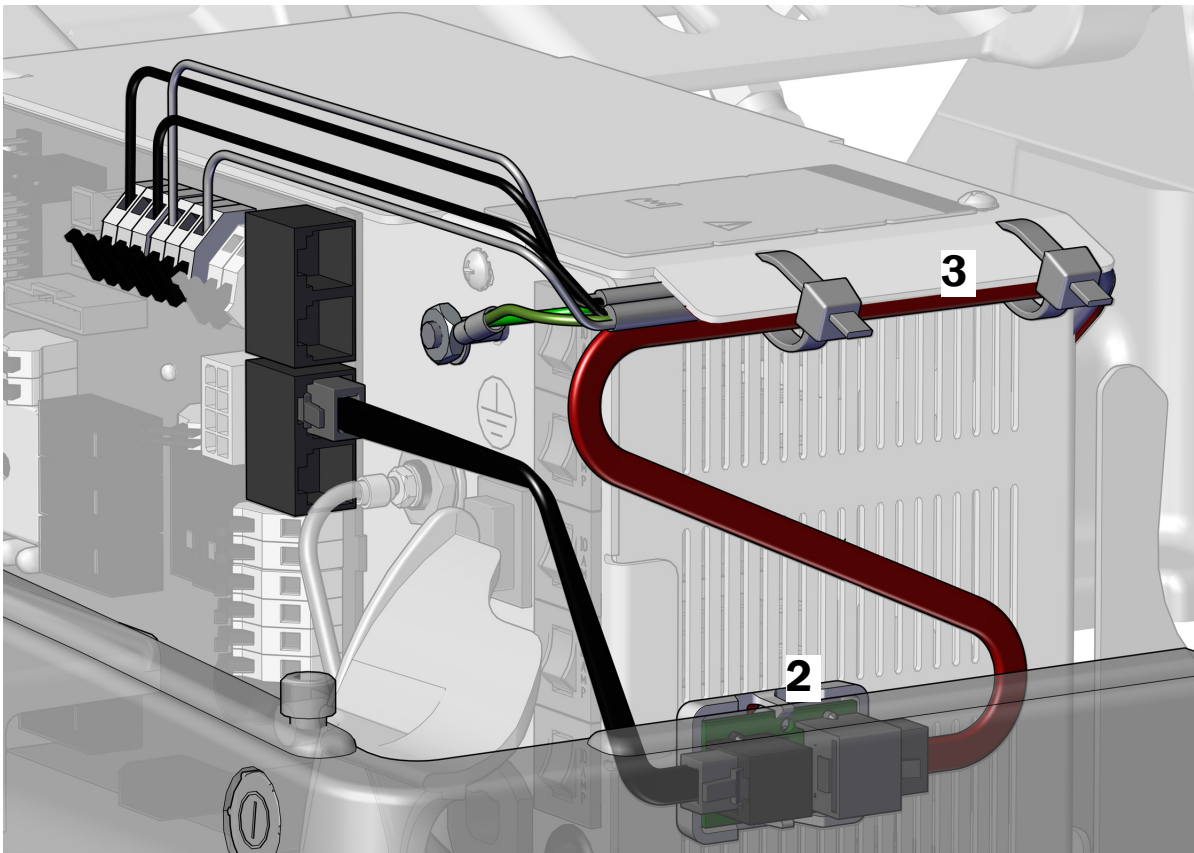
CAUTION The translator board must be attached in this position to prevent damage or interference with other equipment.

2. Attach the translator board to the side of the power supply toward the toe of the chair. Align it with the stub and the bottom of the middle vents.



NOTE If there is already an adaptor board for an LED light attached to the power supply, stack the translator board below it.

3. Once all of the electrical connections have been made for the system's modules, use cable ties to secure the wires and data line under the lip.

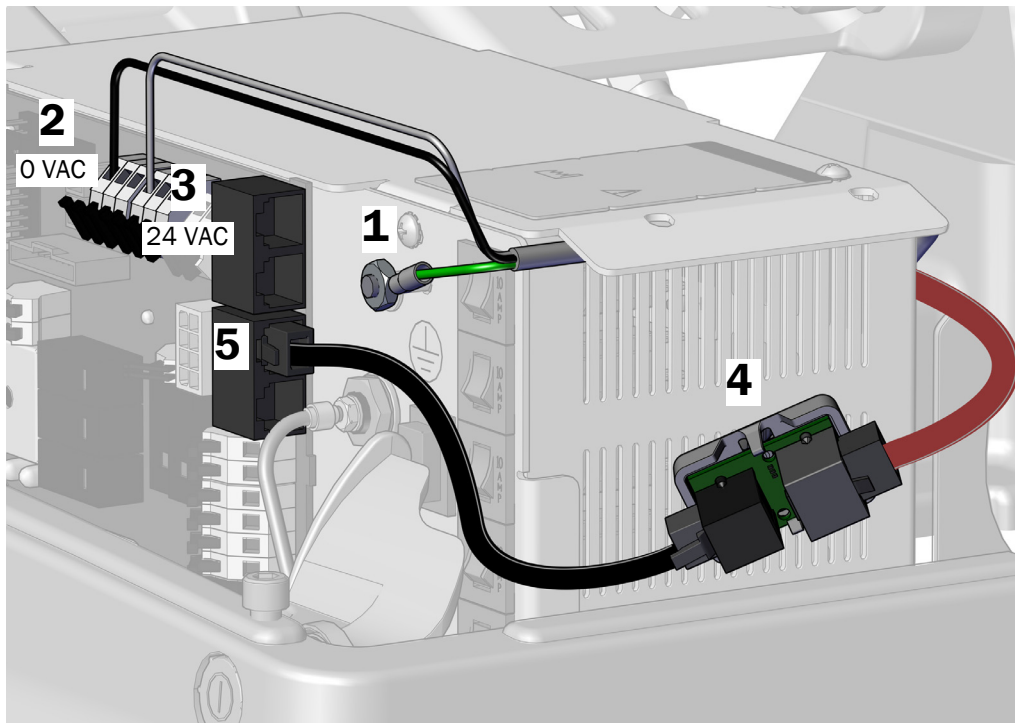


Next Step See "Connect the Tubing" on page 26.

Connect A-dec 545sta Remote Power Cable and Data Line to an A-dec 311/411 Power Supply

Task 1.

1. Attach the green/yellow ground wire from the remote power cable to the ground terminal on the power supply housing.
2. Connect the black wire from the remote power cable to 0 VAC.
3. Connect the gray wire from the remote power cable to 24 VAC.
4. Position the translator board with the gray DCS2 port towards the back of the power supply. Plug the red DCS2 data line from the delivery system into the gray DCS2 port on the translator board.
5. Plug one end of the black DCS1 data line into the translator board and the other end into any of the DCS1 data ports on the chair circuit board.



Task 2.

1. Peel off the protective paper from the translator board.



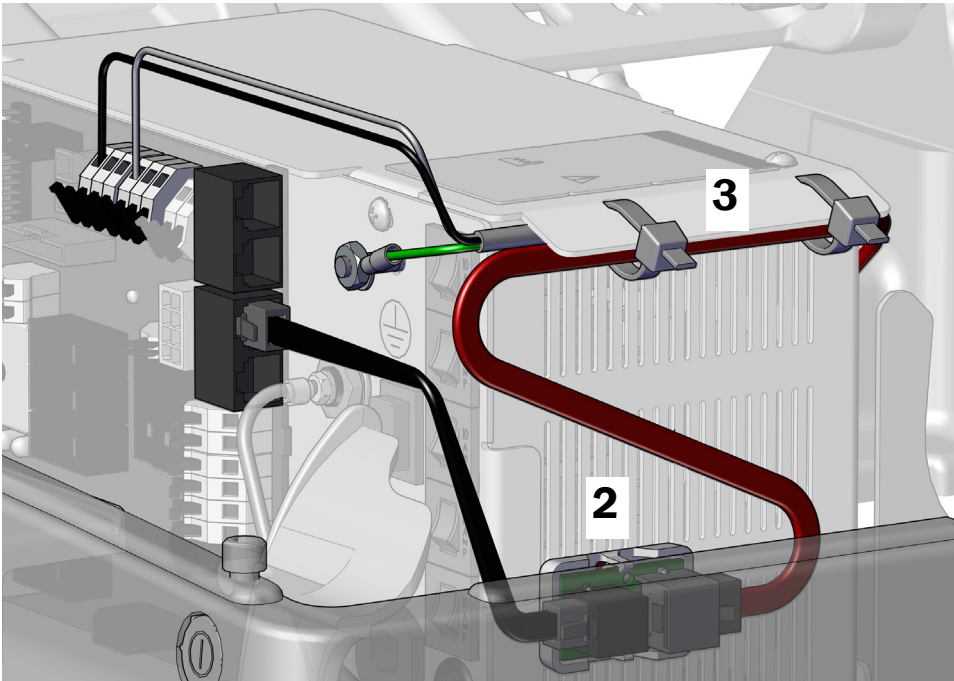
CAUTION The translator board must be attached in this position to prevent damage or interference with other equipment.

2. Attach the translator board to the side of the power supply toward the toe of the chair. Align it with the stub and the bottom of the middle vents.



NOTE If there is already an adaptor board for an LED light attached to the power supply, stack the translator board below it.

3. Once all of the electrical connections have been made for the system's modules, use cable ties to secure the wires and data line under the lip.



Next Step See "Connect the Tubing" on page 26.

Connect the Power Cables and Data Line Used with an A-dec 300 W Stand-Alone Power Supply

Connect the Power Cables Used With an A-dec 300 W Stand-Alone Power Supply

See "Connect the Power Cables to an A-dec 300 W Stand-Alone Power Supply" on page 9.

Connect the Data Line Used With an A-dec 300 W Stand-Alone Power Supply

For instructions on plugging in the 25' data line from the cabinet, see the section for the system configuration.

Connect A-dec 541pro Remote Power Cables and Data Line to an A-dec Universal Power Supply	13
Connect A-dec 545sta Remote Power Cable and Data Line to an A-dec Universal Power Supply	14
Connect A-dec 541pro Remote Power Cables and Data Line to an A-dec 511 Power Supply	15
Connect A-dec 545sta Remote Power Cable and Data Line to an A-dec 511 Power Supply	18
Connect A-dec 541pro Remote Power Cables and Data Line to an A-dec 311/411 Power Supply	21
Connect A-dec 545sta Remote Power Cable and Data Line to an A-dec 311/411 Power Supply	23

Connect the Tubing

Install the Foot Control (541pro only)

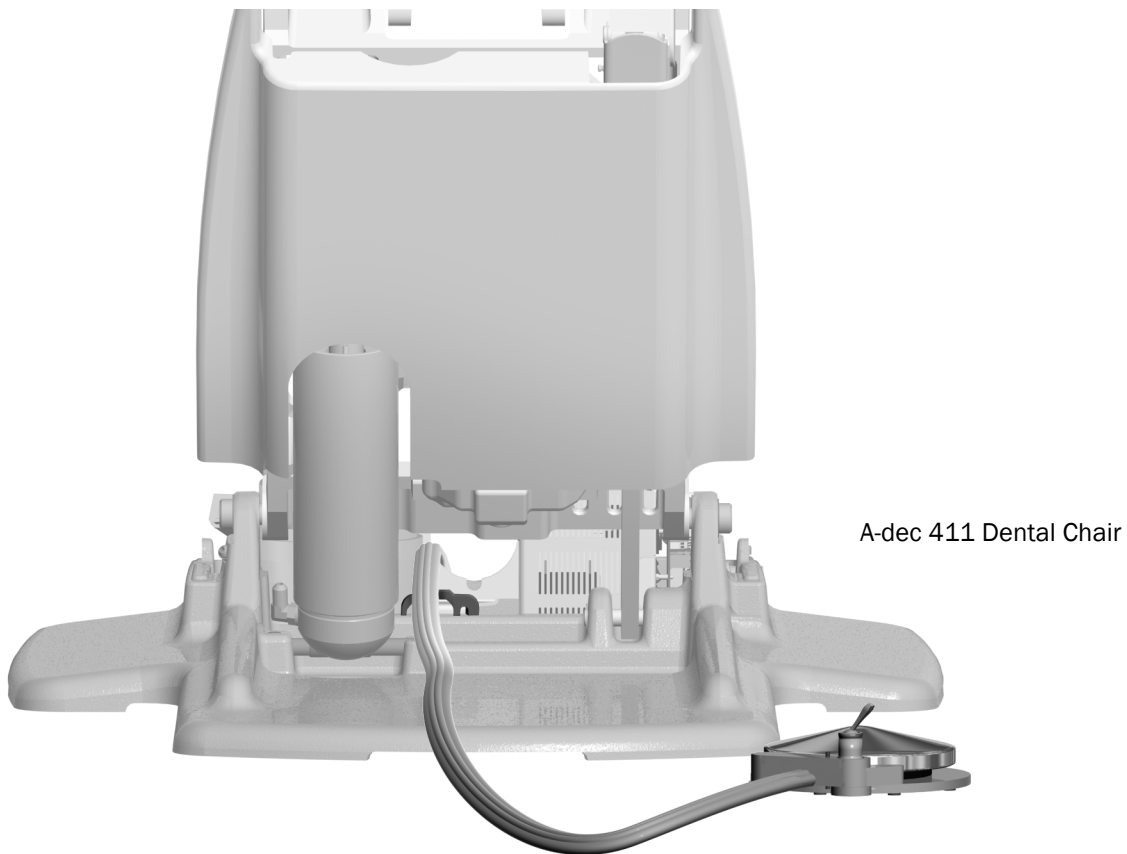


NOTE The installation procedure for a disc foot control and lever foot control is the same.

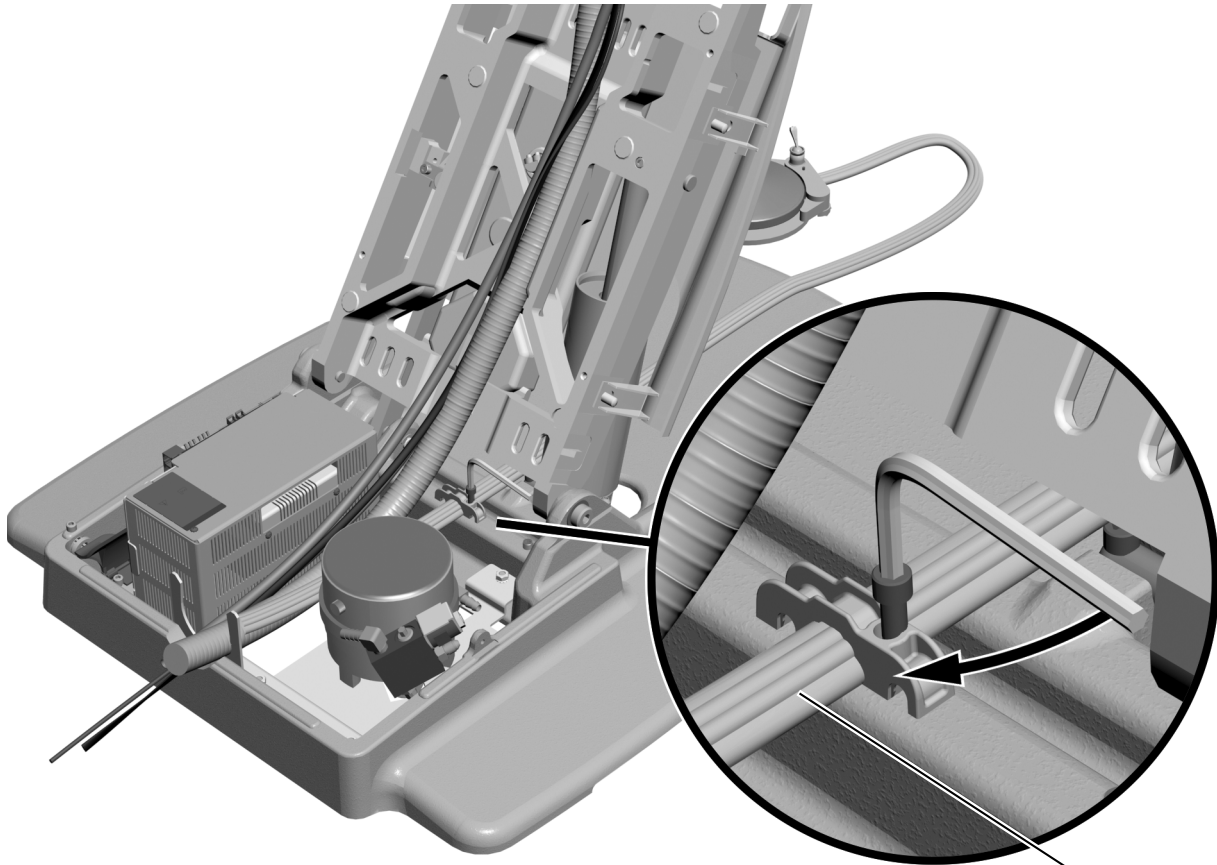
Install the Foot Control on a Chair

Recommended Tool

- 3/16" hex key



- 1** From the back of the chair, route the foot control tubing over the strain relief and behind the power supply.

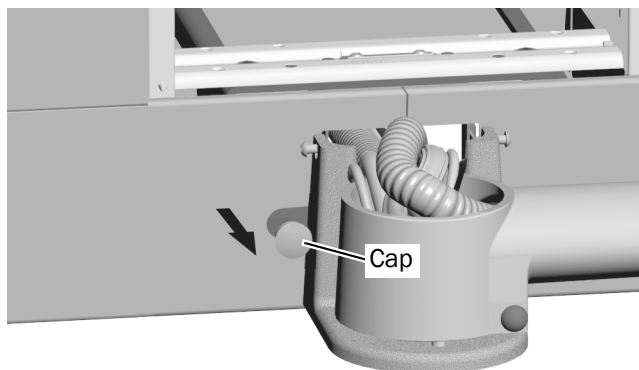


- 2** Use a 3/16" hex key to secure the foot control tubing to the chair base in the strain relief.

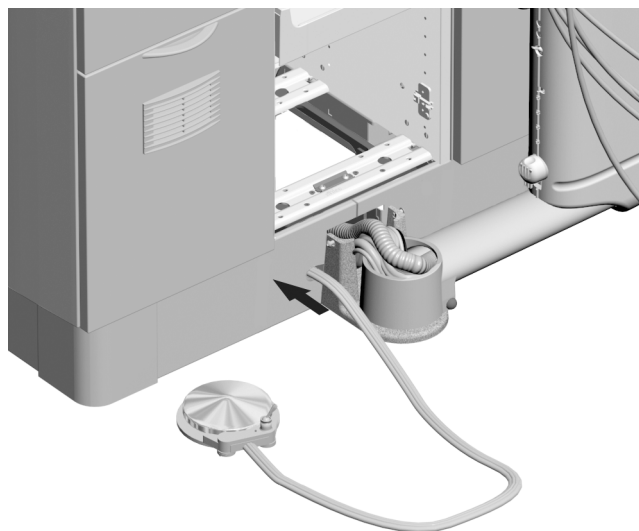


NOTE For proper positioning, the ridges on the foot control tubing face up to match the grooves in the strain relief.

Install the Foot Control on a Cabinet



- 1** Remove the cap from the foot control opening in the cabinet.



- 2** Route the foot control tubing through the subbase.



NOTE A-dec provides sufficient tubing length for a remote mount foot control, but an extension may be needed.

Install the Foot Control on a Wall

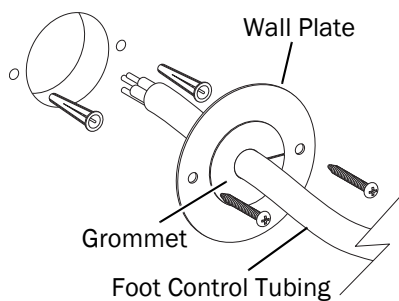
Recommended Tools

- Drill and drill bits
- Phillips head screwdriver

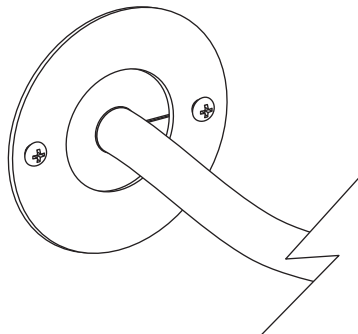
Use the foot control wall plate template, available in the *541pro/545sta Delivery Systems Stand Alone Applications Template* (p/n 85.0050.00).

1 Drill a 2-1/8" (54 mm) hole and two 1/4" (7 mm) holes as shown in the foot control wall plate template.

2 Install the tubing through the grommet. Push the grommet and tubing through the wall plate.



3 Use a Phillips head screwdriver and the screws provided in the wall plate kit to attach the cover plate to the wall.



Connect the Tubing - 541pro

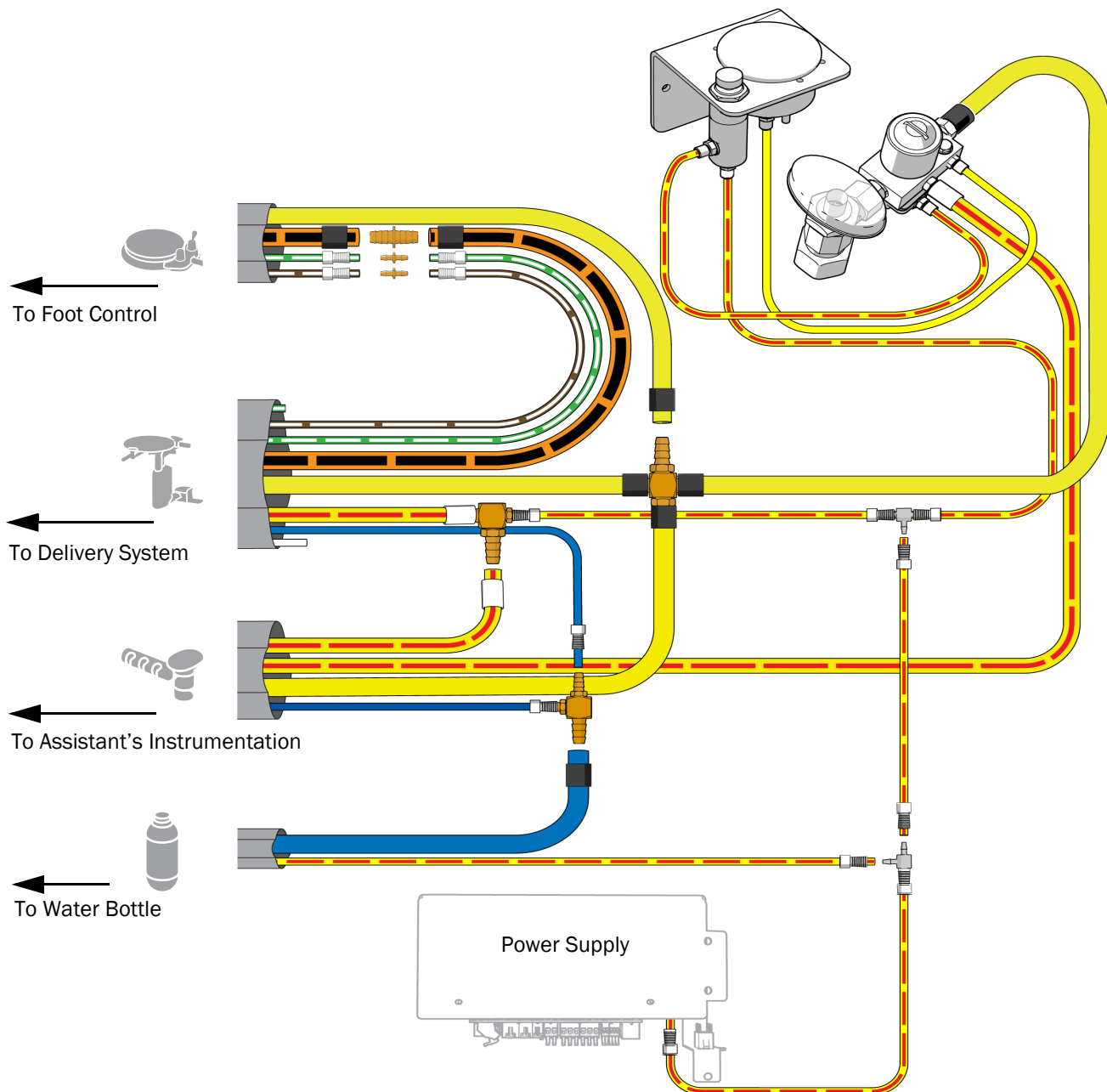
Connect the tubing according to the following flow diagram.



NOTE To connect to an A-dec 511 power supply, use the quick disconnects from the kit.



NOTE To connect the pilot air tubing to an A-dec 3lflt/311/411 dental chair, see *Connect Pilot Air Tubing from an A-dec 341pro/341flt/342pro/342/ 541pro/541 Delivery System or A-dec 545sta/545 Assistant's Instrumentation to an A-dec 3lflt/311/411 Dental Chair Installation Guide* (p/n 86.0160.00).



Connect the Tubing - 545sta

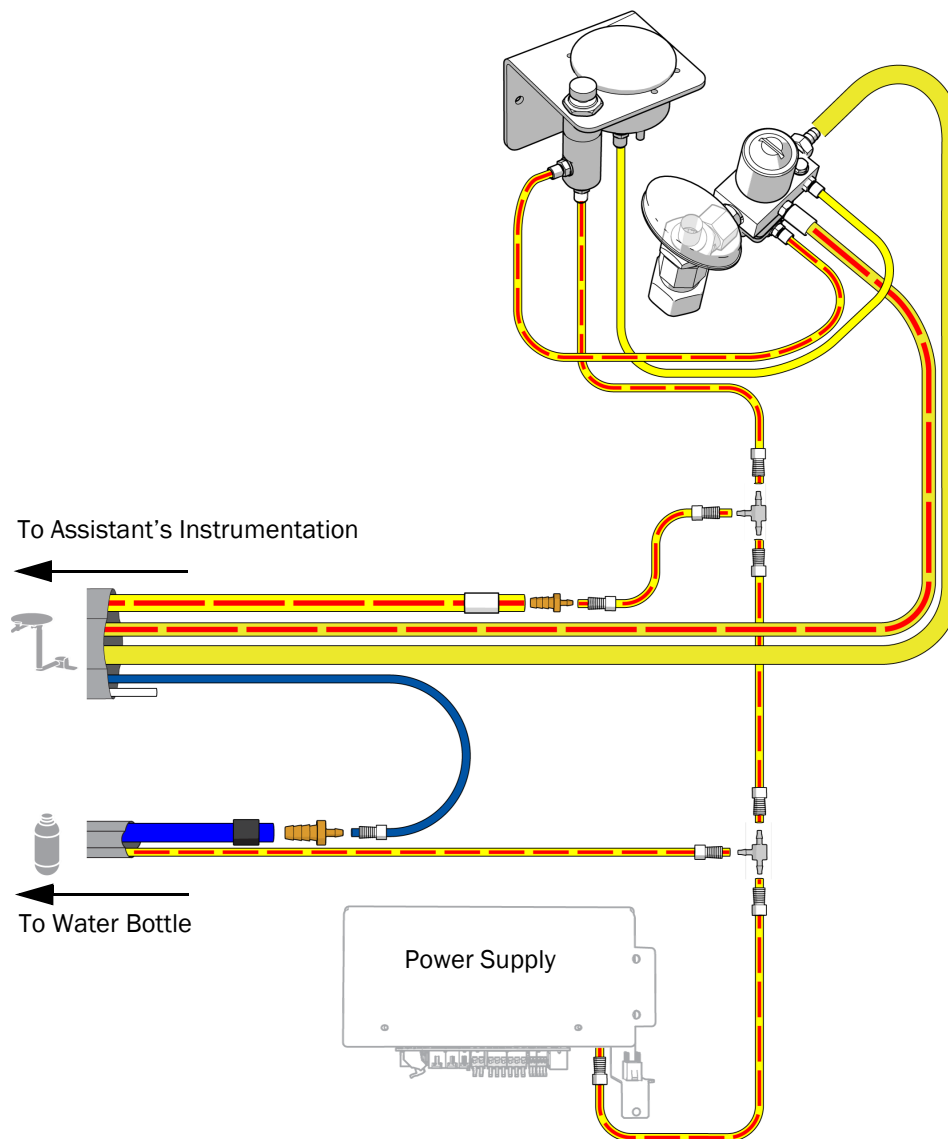
Connect the tubing according to the following flow diagram.



NOTE To connect to an A-dec 511 power supply, use the quick disconnects from the kit.



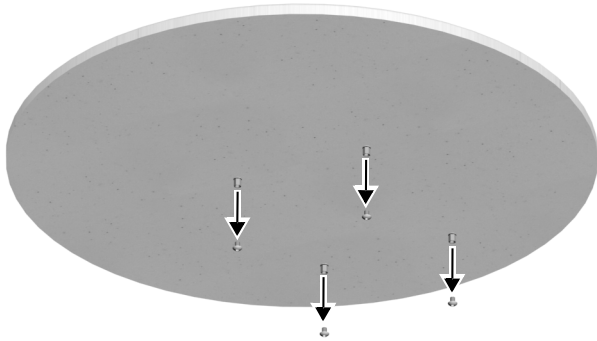
NOTE To connect the pilot air tubing to an A-dec 311flt/311/411 dental chair, see *Connect Pilot Air Tubing from an A-dec 341pro/341flt/342pro/342/541pro/541 Delivery System or A-dec 545sta/545 Assistant's Instrumentation to an A-dec 311flt/311/411 Dental Chair Installation Guide* (p/n 86.0160.00).



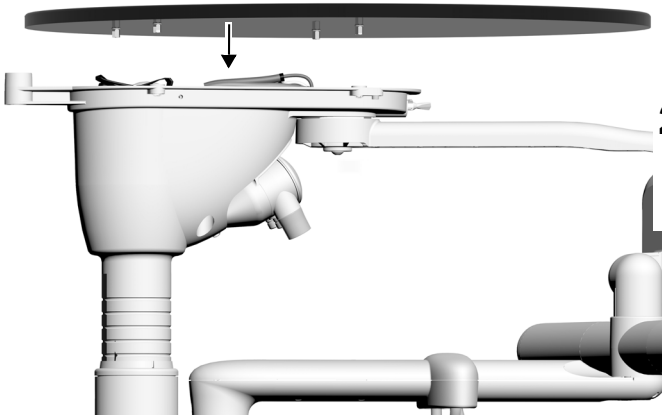
Attach and Level the Round Worksurface

Recommended Tool

- 1/8" hex key



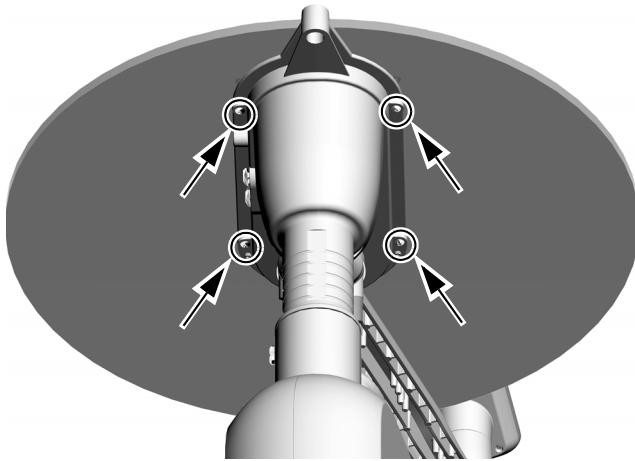
- 1** Remove the screws from the threaded standoffs underneath the worksurface.



- 2** Position the worksurface on the worksurface support housing. Align the holes in the support housing with the threaded standoffs on the bottom of the worksurface.



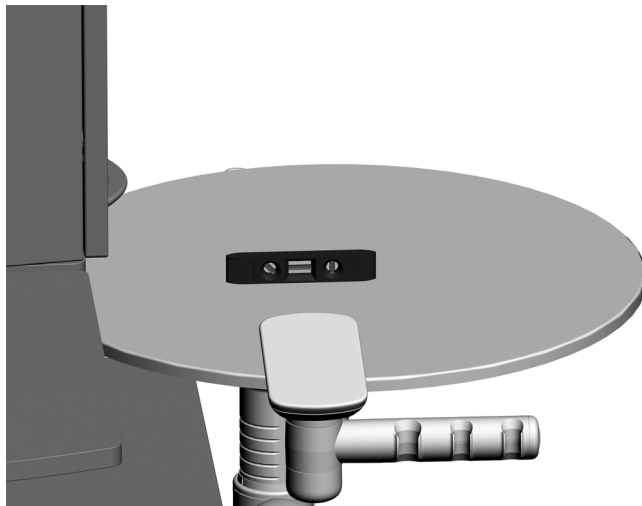
NOTE Keep the tubing out of the way so it is not pinched.



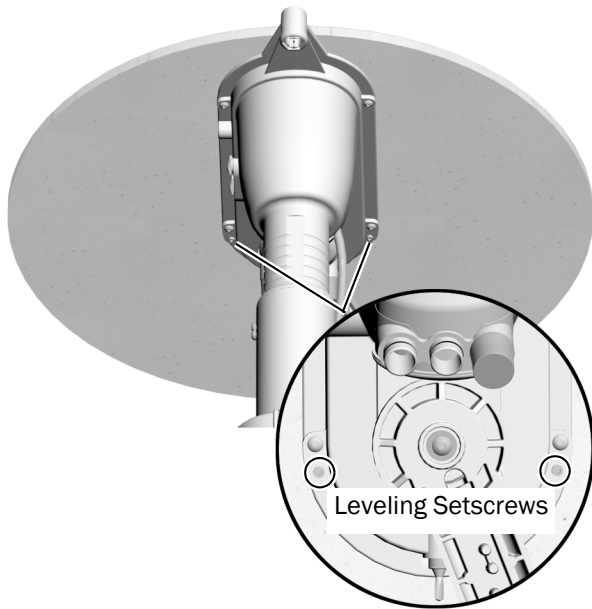
- 3** Insert the four work surface screws that you removed in step 1. Use a 1/8" hex key to loosely install, but do not tighten, the work surface screws.



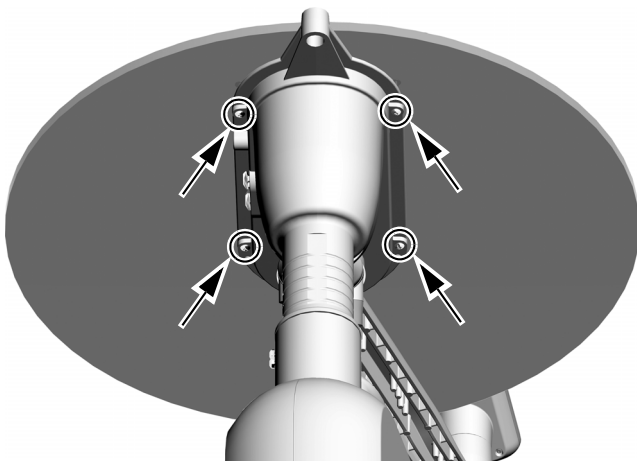
NOTE Keeping the screws loose allows for proper leveling and prevents damage in the following steps.



- 4** Position the work surface arm in a typical working position and center a level on the round work surface over the support housing.



- 5** Use a 1/8" hex key to adjust the two leveling setscrews in the worksurface support housing until the surface is level.

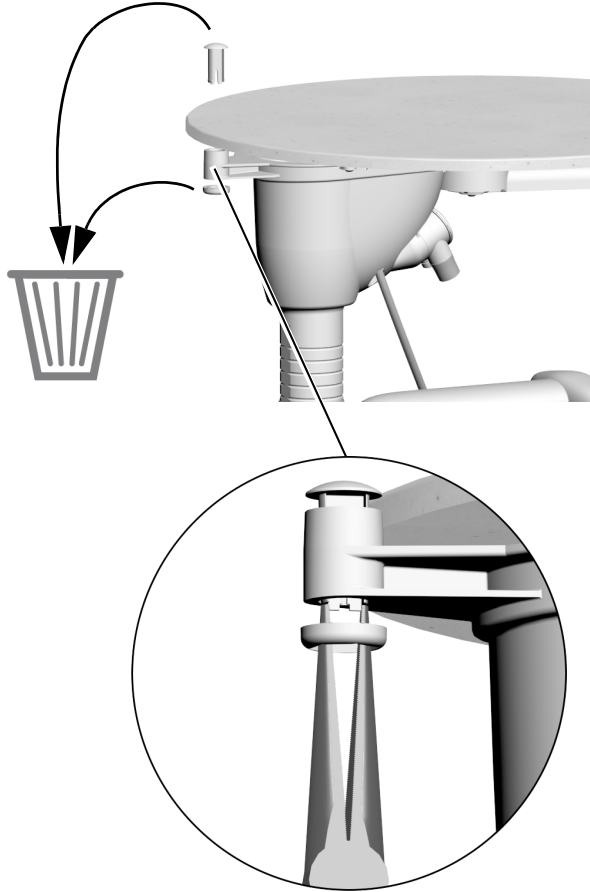


- 6** Use a 1/8" hex key to tighten the four worksurface screws.

Install the Tray Holder Mount (optional)

Recommended Tools

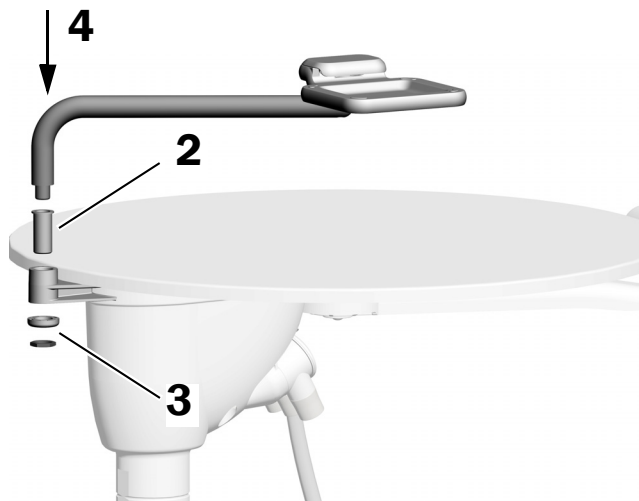
- 3/16" hex key
- Needle-nose pliers



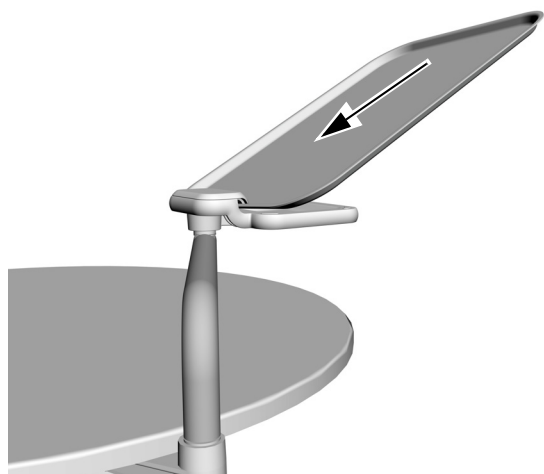
- 1** Remove the tape from the tray holder mount, and then remove and discard the plug and collar.



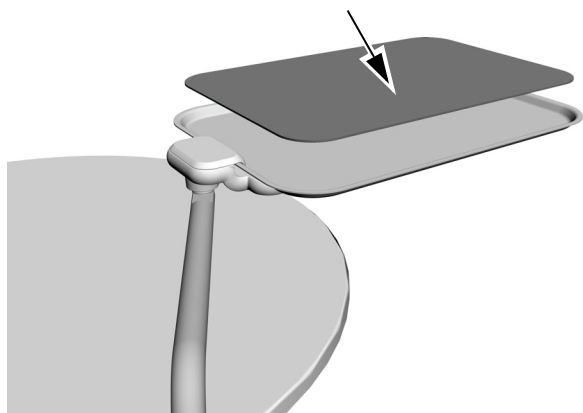
TIP You may need to use needle-nose pliers to squeeze the bottom of the plug to help remove it.



- 2** Insert the sleeve into the work surface support.
- 3** Secure the sleeve by attaching the washer and nut to the threads on the bottom of the sleeve.
- 4** Insert the tray holder mount into the sleeve.

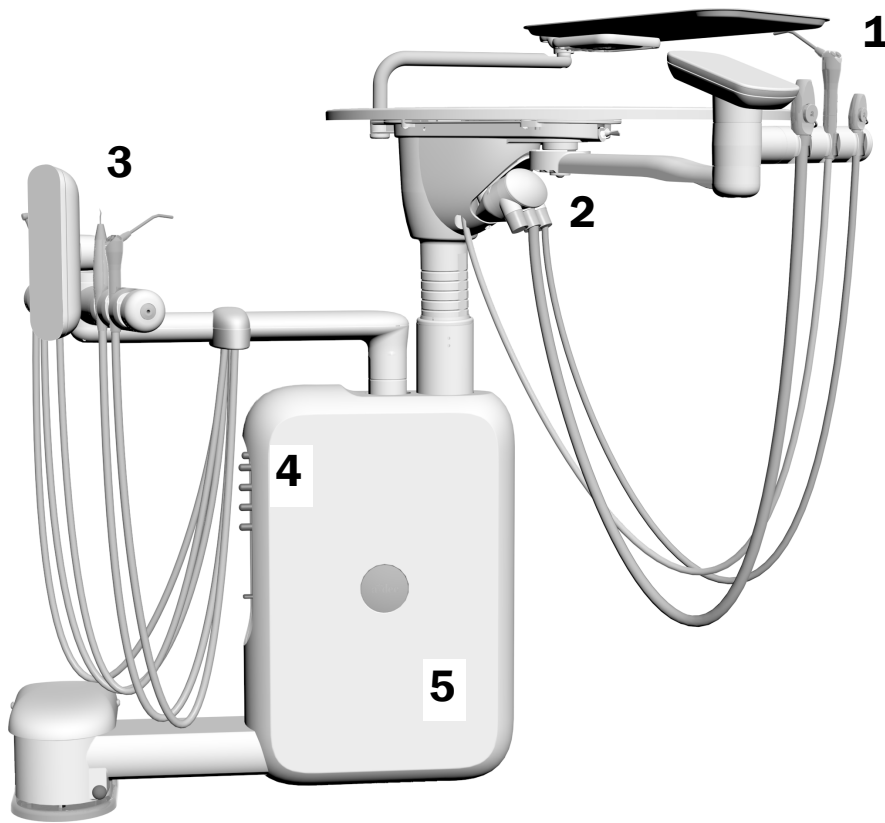


- 5** Install the tray holder on the tray holder mount.



- 6** Place the pad on the tray holder.

Complete the Installation



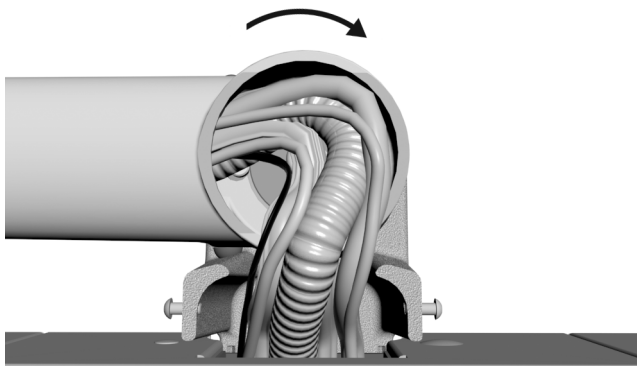
- 1** Place the assistant's instrumentation in the assistant's holder.
- 2** Attach the assistant's instrumentation tubing to the vacuum canister.
- 3** **541pro only:** Place the syringe and handpiece tubing in the doctor's holder.
- 4** **541pro only:** Install the adjustment knobs.
- 5** **541pro only:** Remove the covers and remove the shipping foam inside the covers. Reinstall the covers.

Adjust the System

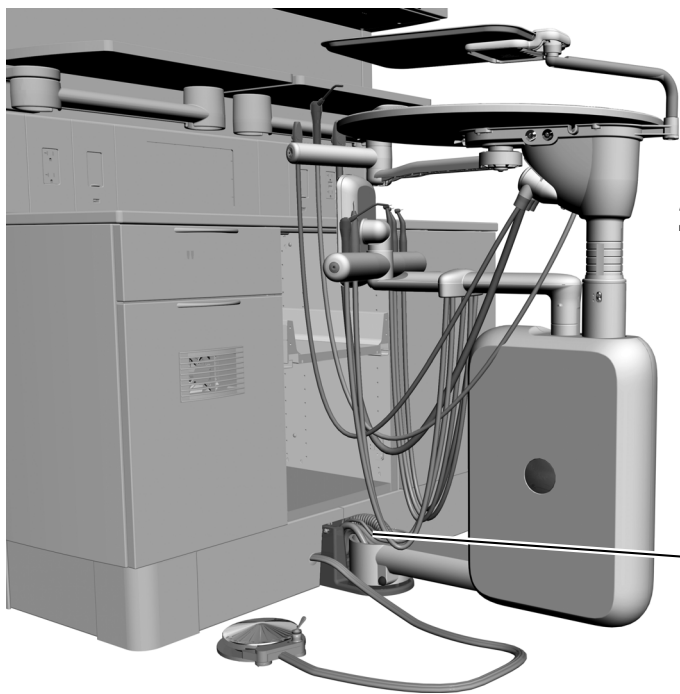
Adjust the Rotation Tension

Recommended Tool

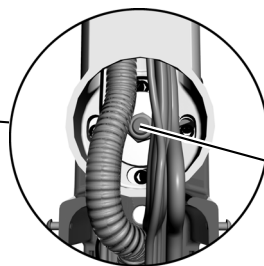
- 3/4" socket (deep well) with 6" extension



- 1** Ensure there is enough slack in the tubing to rotate the assembly.



- 2** When you rotate the arm, there should be slight resistance, and the arm should not drift. If the arm drifts, tighten the hub locknut with a 3/4" socket and ratchet.



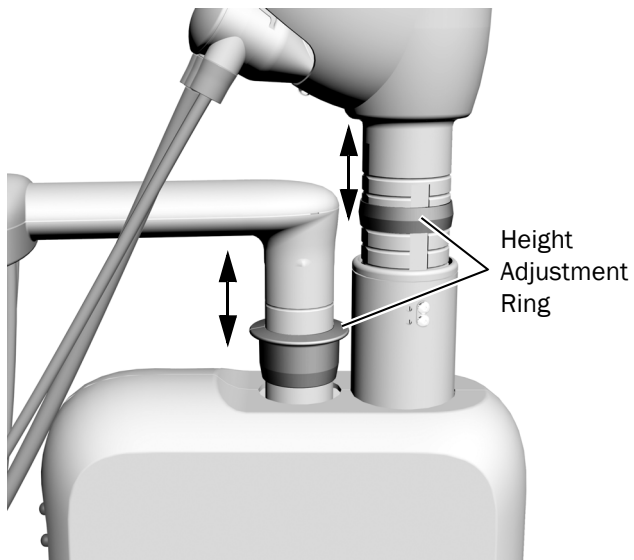
Hub Locknut

Adjust the Tray Holder Mount Rotation Tension




- 1** Use a Phillips head screwdriver to remove the cap screws. Remove the cap.
- 2** Insert a 7/32" hex key into the tension bolt and turn clockwise to increase the tension.
- 3** Replace the cap and secure with the screws.

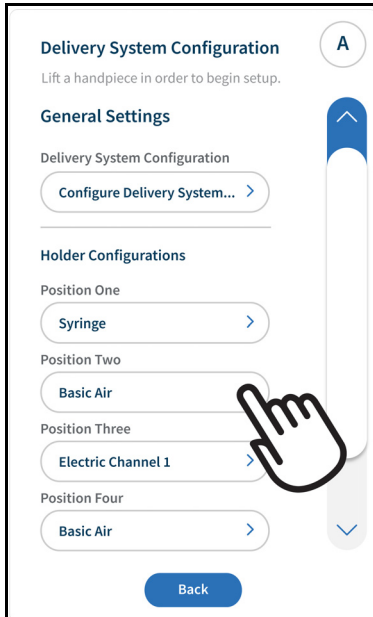
Adjust the Worksurface and Instrumentation Arm Height



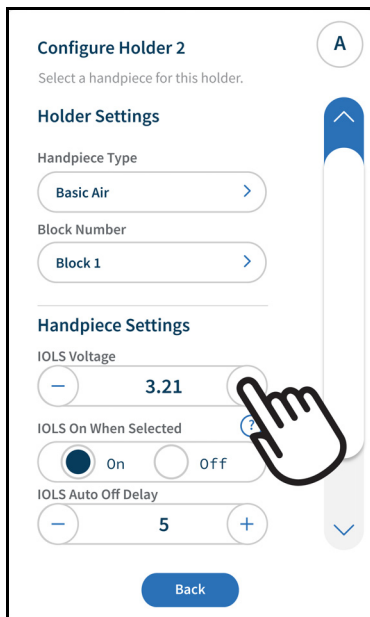
- 1** Lift the upper part of the vertical post.
- 2** Slide the height adjustment ring to the desired position.
- 3** Lower the vertical post onto the ring.

Adjust the Intraoral Light Source

1. Select  from the upper navigation bar to access **Settings**.
2. Go to **Equipment Settings > Delivery System**.
3. Select the handpiece to adjust.



4. Adjust the voltage according to the table on page 41.



NOTE The default settings **IOLS On When Selected** and **IOLS Auto Off Delay** can be changed in this screen.



CAUTION The values in the following table are valid only for fiber optics with 26 AWG wires, 750 mA loads, and the recommended 3.2 VDC at the bulb. For fiber optics powered with 26 AWG wires and other ratings, use the equation $T = (Z \times 0.006 \times Y) + X$ where:

T = Terminal strip voltage (VDC)

X = Desired voltage at bulb (VDC)

Y = Rated lamp/load current (in Amps)

Z = Length of 26 AWG wire (inches) from terminal strip to bulb

For devices with a wire gauge other than 26 AWG, please contact A-dec Customer Service.

Length and Voltage Table for Bulbs Rated at 3.20 VDC				
A-dec Tubing Length		Voltage at terminal strip resulting in recommended 3.20 VDC +/- 0.03 bulb voltage (measure with IOLS on)		
		0.200 A	0.380 A	0.750 A
(in)	(cm)			
50	127	3.37	3.52	3.84
64	163	3.42	3.61	4.02
85	216	3.49	3.75	4.28

Customize Handpiece Settings



NOTE Touch control symbols and icons are proprietary to A-dec, Inc.



For touchscreen and control pad use, see the *A-dec DS7/CP5i/CP5 Touch Controls Instructions for Use* (p/n 86.0857.00) at a-dec.com/touchscreen-manual.



For configuring connectivity features, see the *A-dec+™ Software Platform Instructions for Use* (p/n 86.1030.00) at a-dec.com/connectivity-manual.



Test the System

After you have completed the installation, use the following checklist to test the delivery system; then follow up with the customer.

Delivery System

- The handpieces function properly and are set to the doctor's preferences:
 - Water coolant, air coolant, and spray.
 - Handpiece tubing flush.
 - Handpiece holder valves and switches.
 - Handpiece drive air pressure.
- Foot control operates properly.

Utilities

- Regulated air pressure to the delivery system is at 80 psi (552 kPa).
- If the system includes a floor box, it is free of air and water leaks.
- Tubing and connections are not kinked and are free of air and water leaks.
- Excess tubing and wires are coiled and stored away from moving parts.

Attach the Hub Mount Cover and Cabinet Doors

Recommended Tool

- 5/32" hex key



WARNING Shock hazard. When you remove or replace the covers, take care not to damage any wiring or tubing. Verify that the covers are secure after you replace them.



Hub Cover
Cap Screws

- 1** Remove the cap screws from the sides of the hub.
- 2** Use the cap screws and a 5/32" hex key to secure the cover on the hub mount.
- 3** Reinstall the cabinet doors.

Regulatory Information and Warranty

For required regulatory information and the A-dec warranty, see the *Regulatory Information, Specifications, and Warranty* document (p/n 86.0221.00) available in the Resource Center at www.a-dec.com.



For quick access to this document online, scan, tap, or click this QR code, which points to a-dec.com/regulatory-guide.

All trademarks cited herein are trademarks or registered trademarks of A-dec, Inc. in the United States and may also be trademarks or registered trademarks in other countries.



A-dec Headquarters

2601 Crestview Drive
Newberg, OR 97132 USA
Tel: 1.800.547.1883 Within USA/CAN
Tel: +1.503.538.7478 Outside USA/CAN
www.a-dec.com

A-dec, Inc. makes no warranty of any kind with regard to the content in this document including, but not limited to, the implied warranties of merchantability and fitness for a particular purpose.



86.0946.00 Rev D
Date of Issue 2023-11-02
Copyright 2023 A-dec, Inc.
All rights reserved.
IGrphpor23