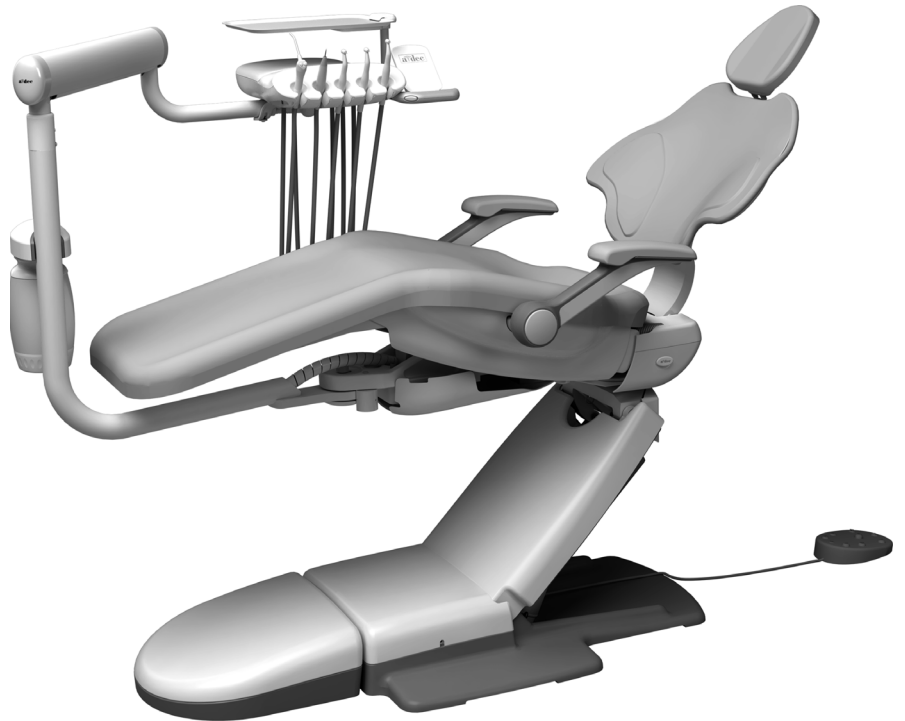




A-dec® 332pro/333pro/336pro Delivery System on A-dec 511ft/511 Dental Chair

INSTALLATION GUIDE

- Before You Begin** 2
- Prepare the Chair** 3
- Install the Front Mount** 5
- Install the Rigid Arms** 8
- Install the Delivery System** . 14
- Connect the Wires
and Data Line** 28
- Connect the Tubing** 32
- Connect the Floor Box
Utilities** 38
- Prepare and Adjust
the System** 40
- Customize Touch
Control and Handpiece
Settings** 53
- Test the System** 54
- Regulatory Information
and Warranty** 56



A-dec 332pro Traditional Delivery System on an A-dec 511B Dental Chair

Product Models and Versions Covered in this Document*

Model	Versions	Description
332pro/333pro/336pro	n/a	Delivery System
511ft	n/a	Dental Chair
511	B	Dental Chair

**Some product models, versions, and options in this document may not be available in certain regions.*

Before You Begin



WARNING Shock hazard. When you remove or replace the covers, take care not to damage any wiring or tubing. Verify that the covers are secure after you replace them.



ATTENTION Circuit boards are sensitive to static electricity. Electrostatic Discharge (ESD) precautions are required when touching a circuit board or making connections to or from the circuit board. Circuit boards should be installed only by an electrician or qualified service person.



NOTE Information that is critical to a successful installation is shaded like this note throughout the guide.

- Verify that manual air and water shut-offs are installed.
- Purge any debris from air and water lines.
- Check with local building and code authorities about installation requirements specific to your location.

Recommended Tools

- Hex key set
- Torque wrench with 5/8" open-end adaptor
- 5/8" and 15/16" sockets and ratchet
- 3/8" and 15/16" combination wrenches
- Phillips head screwdriver
- Diagonal cutters
- Level
- Wood block
- Sleeve pusher
- Voltmeter
- Umbilical snake

Prepare the Chair

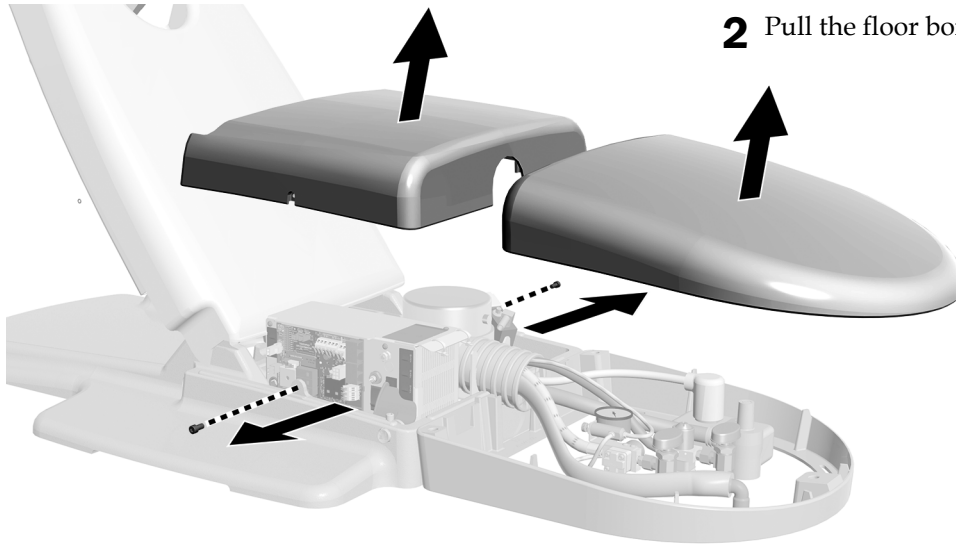
Recommended Tool

- 3/16" hex key

Task 1.

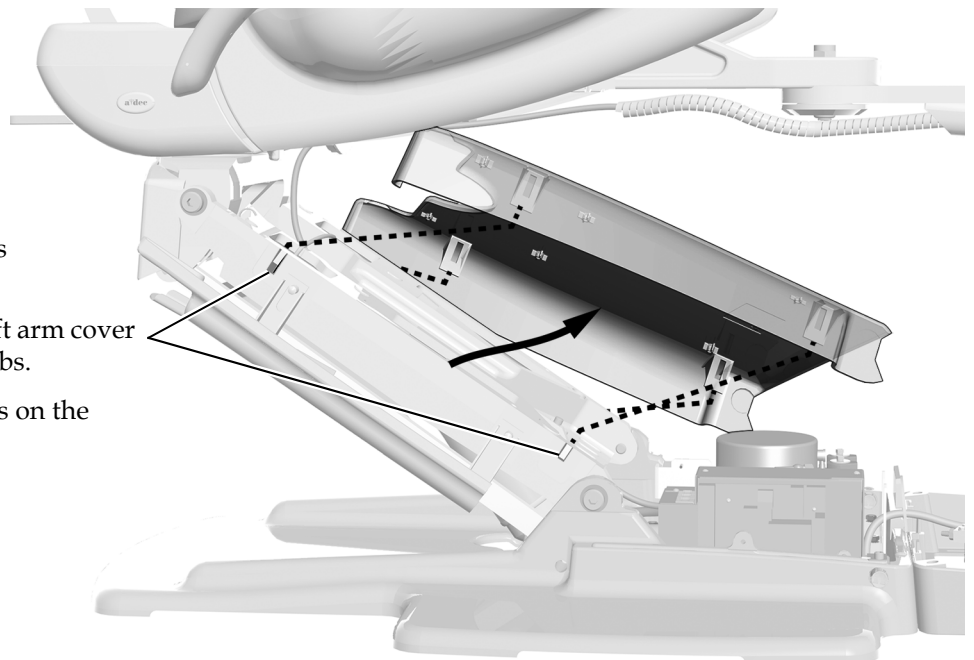
1 Remove the pump cover.

2 Pull the floor box cover up and off of its frame.

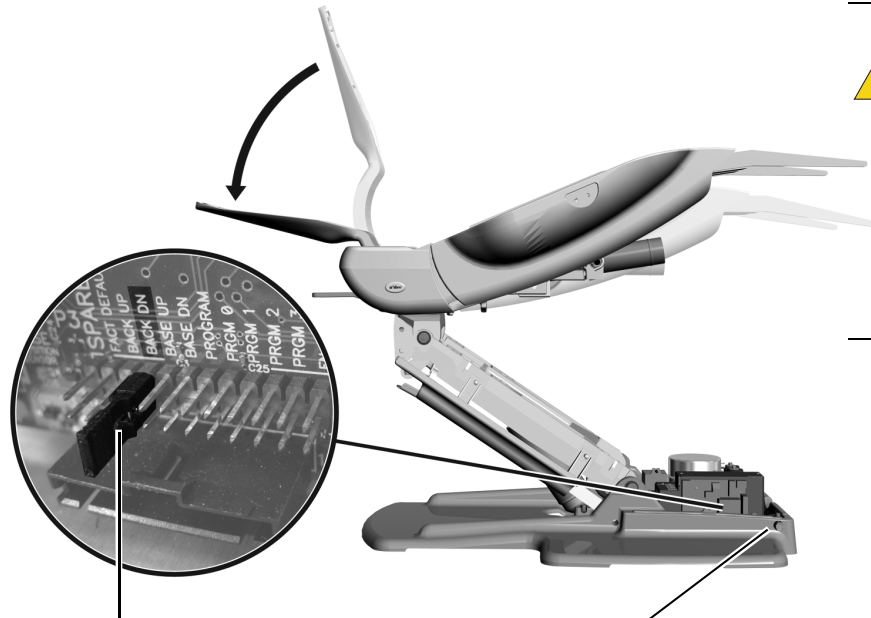


Task 2.

- 1** Position the chair so that it is raised halfway up.
- 2** Pull out on one side of the lift arm cover to raise the slots off of the tabs.
- 3** Slide the cover off of the tabs on the other side of the lift arm.



Task 3.



ATTENTION Circuit boards are sensitive to static electricity. Electrostatic Discharge (ESD) precautions are required when touching a circuit board or making connections to or from the circuit board. Circuit boards should be installed only by an electrician or qualified service person.

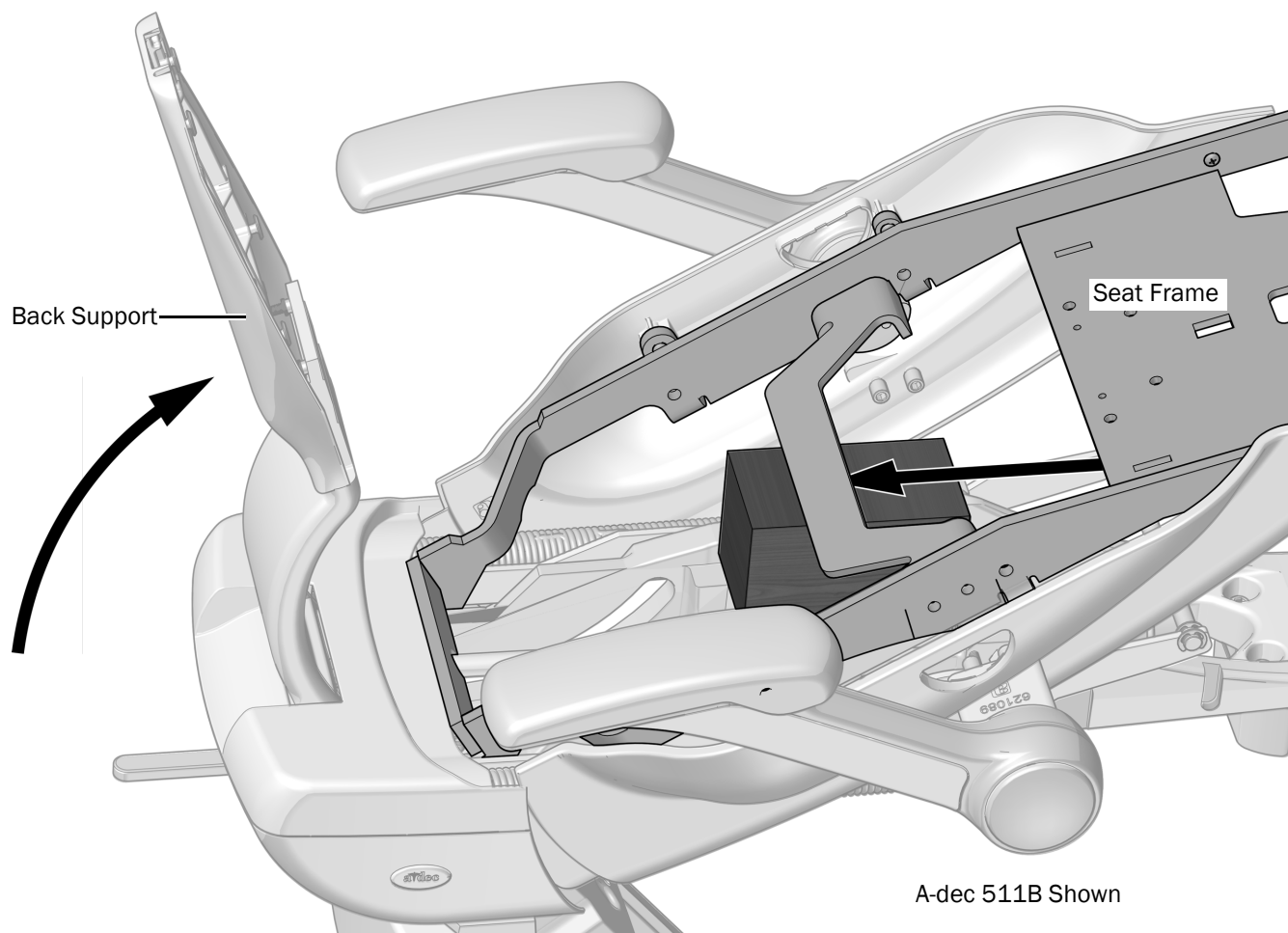
- 1** Turn on the power.
- 2** To lower the chair back, move the jumper to the BACK DN position.
- 3** After the chair back is fully lowered, return the jumper to the SPARE position.

Install the Front Mount

Recommended Tools

- Wood block
- 5/8" socket and ratchet
- Torque wrench with a 5/8" open-end adaptor

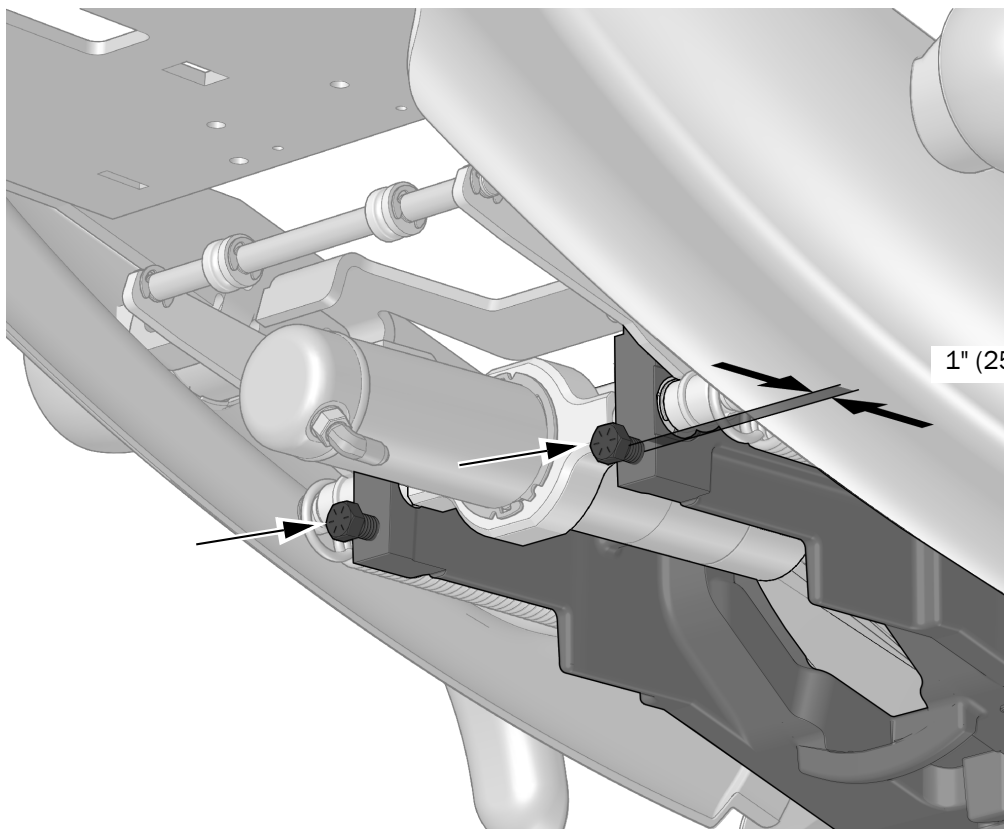
Task 1.



- 1** Fully raise the back support.
- 2** Lift the seat frame and place a wood block between the seat frame and the upper structure. This provides better access to the front of the upper structure for attaching the rigid arms.

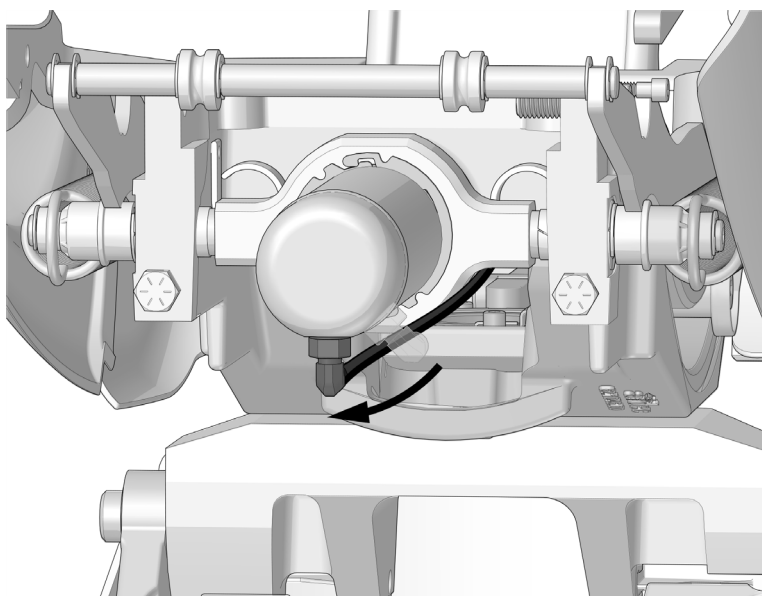
Task 2.

- 1 Screw two 7/16"-14 x 1-1/2" bolts into the chair frame until the heads of the bolts are approximately 1" (25 mm) from the upper structure.

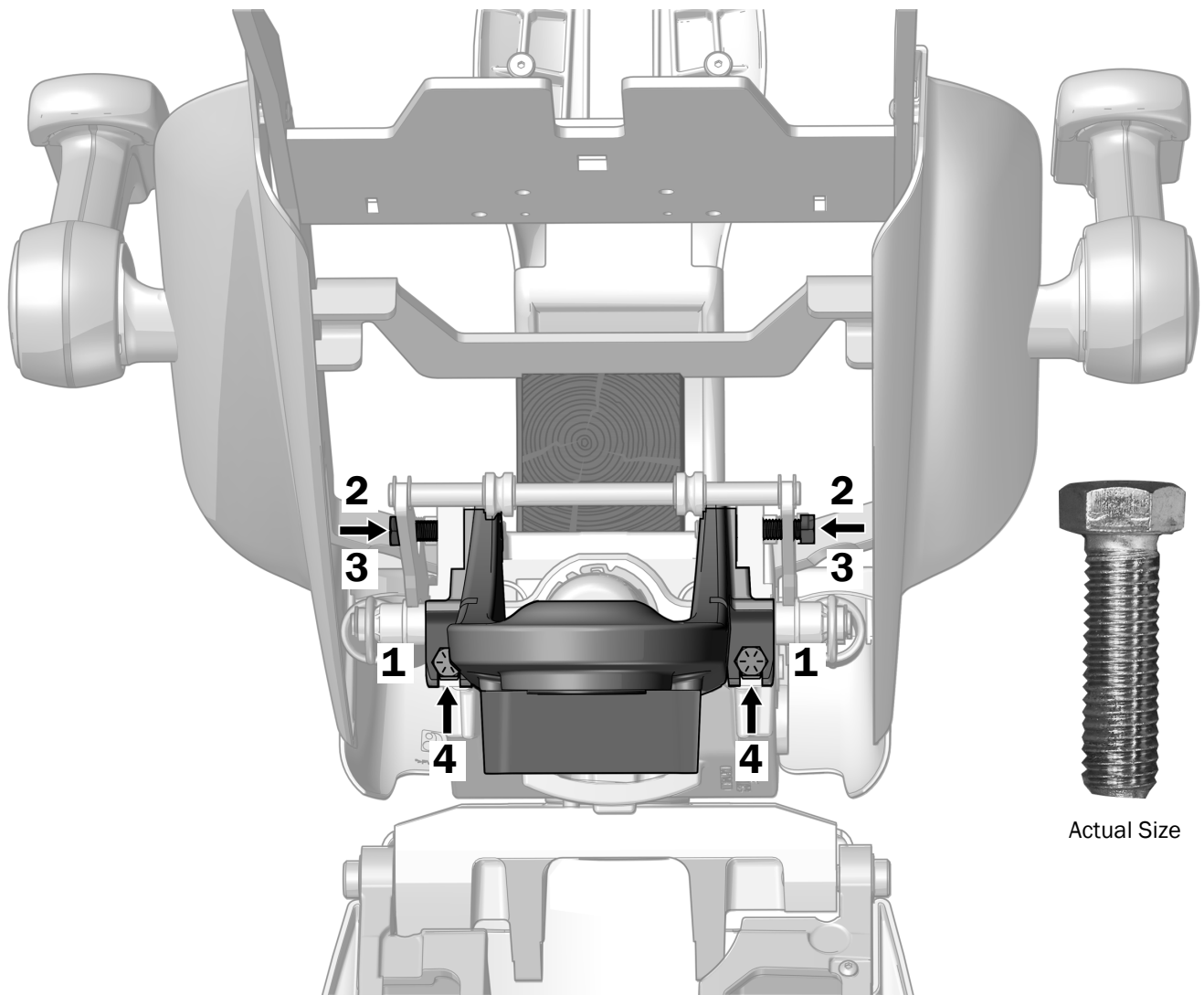


Actual Size

- 2 Rotate the hydraulic cylinder so the hydraulic fitting is at the 6 o'clock position.



Task 3.



- 1** Set the front mount assembly onto the two bolts in the front of the upper structure.
- 2** Align the holes in the top of the front mount with the holes in the upper structure and use a 5/8" socket and ratchet to install two 7/16-14 x 1-1/2" bolts through the holes.
- 3** Use a torque wrench with a 5/8" open-end adaptor to securely tighten the two top bolts to 50 ft-lbs (68 Nm) of torque.
- 4** Use a torque wrench with a 5/8" open-end adaptor to securely tighten the two bottom bolts to 50 ft-lbs (68 Nm) of torque.
- 5** Rotate the hydraulic cylinder back to its original position.

Install the Rigid Arms

Complete the instructions for the system's configuration.

Install the Delivery System Rigid Arm Only	8
Install Dual Rigid Arms	10

Install the Delivery System Rigid Arm Only

Use these instructions if the system includes only a delivery system attached to the front mount.

Recommended Tool

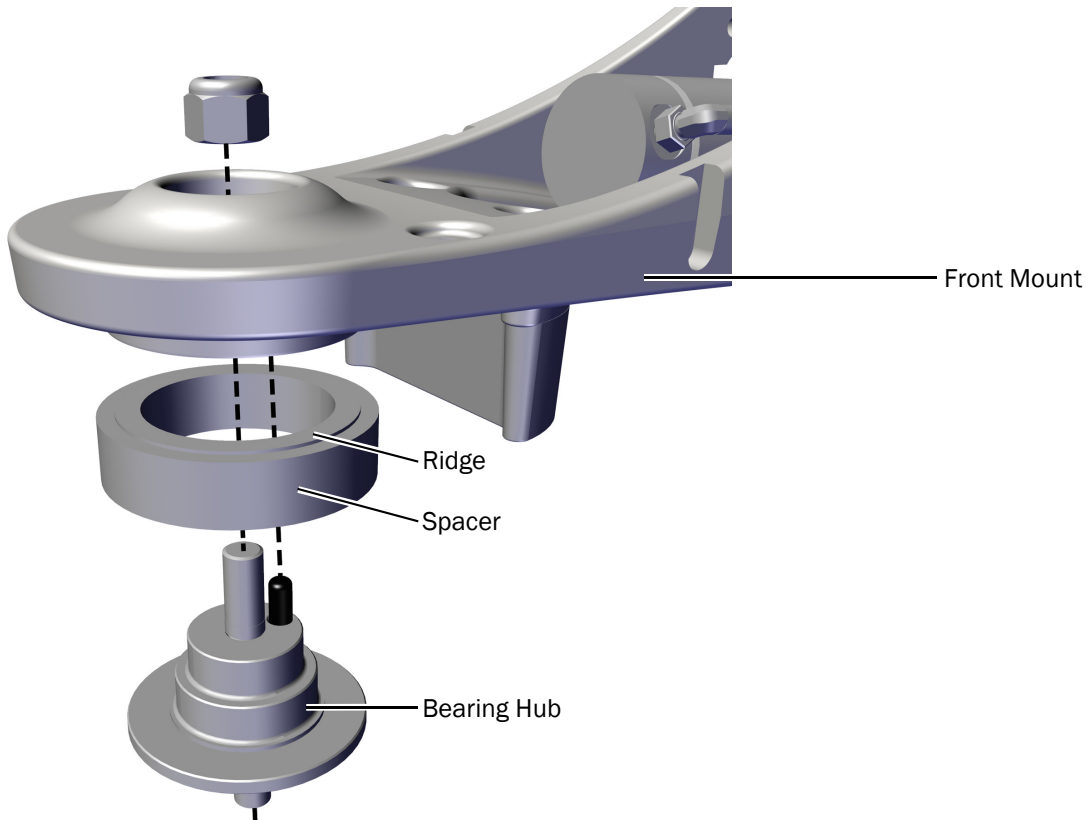
- 15/16" socket and ratchet

Task 1.

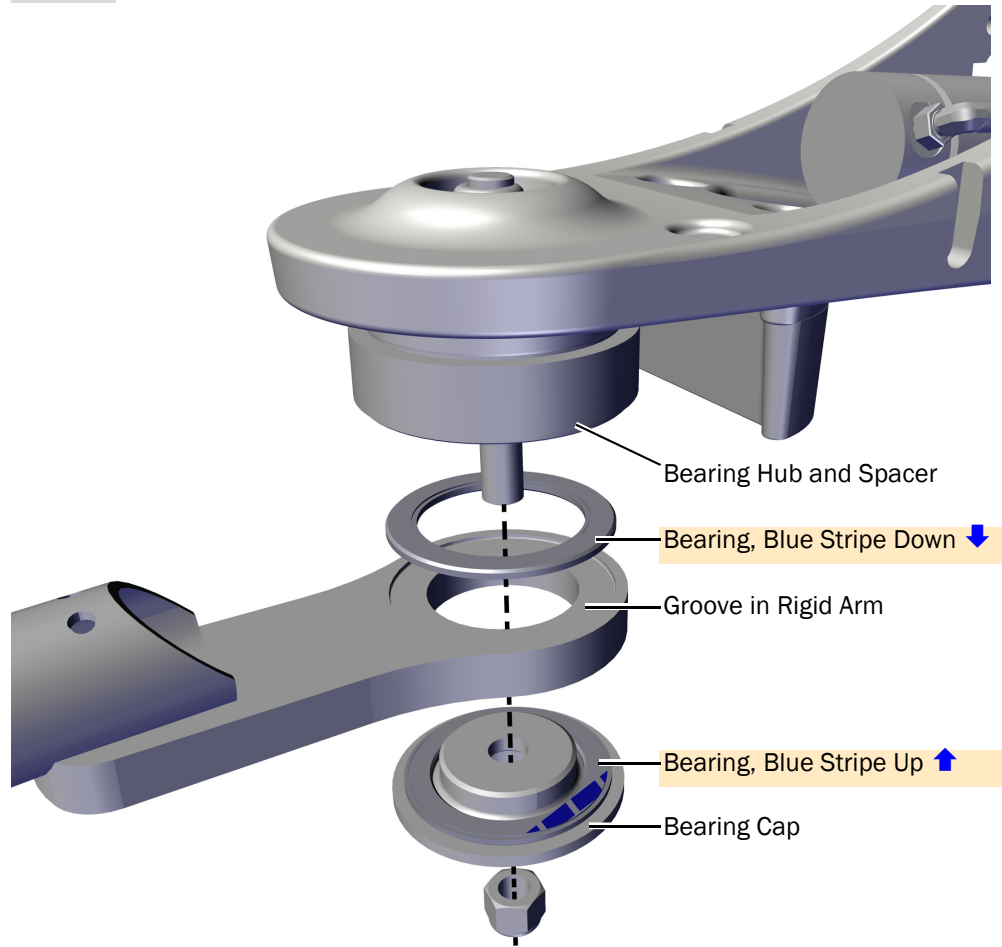


NOTE The bearing hub ships in its own box with the delivery system.

- 1** Securely install the bearing hub and spacer onto the front mount. The ridge on the spacer faces up.



Task 2.



- 1** Install the bearings, rigid arm, and bearing cap onto the bearing hub.



CAUTION For the arm to rotate properly, the bearings must be fully seated in the grooves in the arm with the blue stripe in the correct position. Proceed with care to ensure that the bearings do not shift out of position during tightening.



Blue Stripe on Bearing

- 2** Tighten the nut securely so that the joint does not sag.
- 3** If the system includes a support center, install the 511 rotation stop. The stop and instructions ship with the support center.



511 Rotation Stop

Install Dual Rigid Arms

Use these instructions if the system includes a delivery system and a dental light or a monitor mount attached to the front mount.

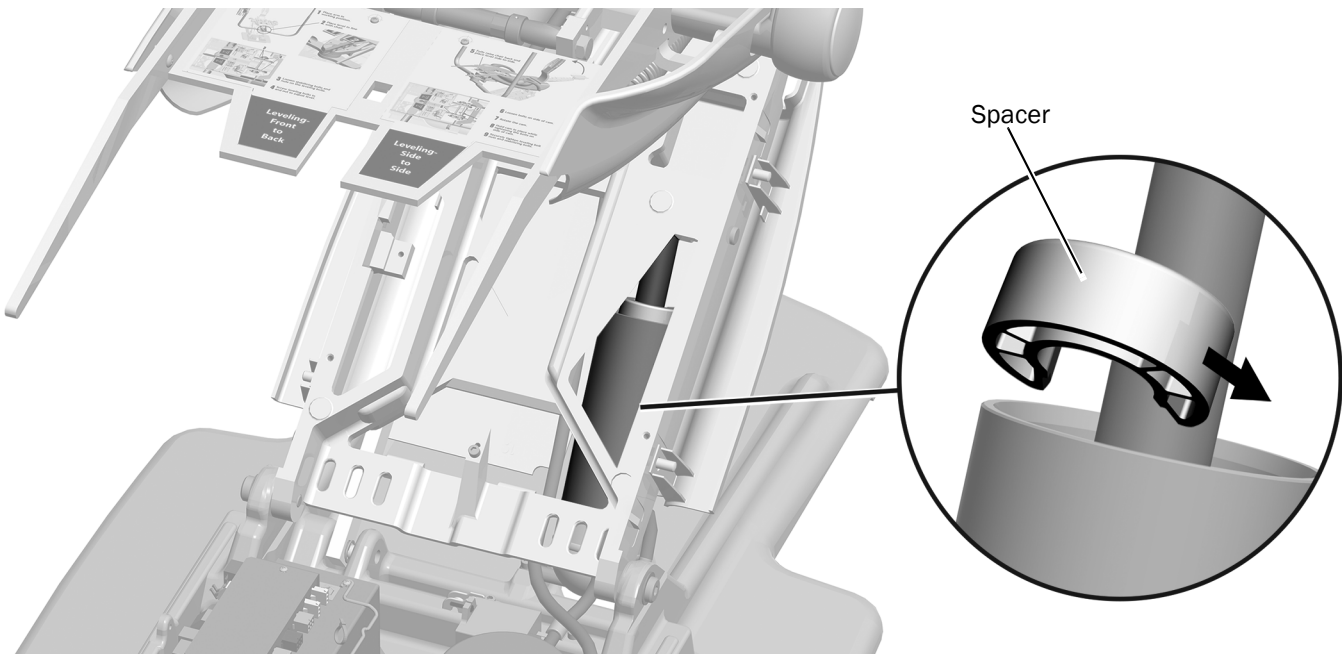
Recommended Tools

- 15/16" socket and ratchet
- Phillips head screwdriver

Install the Spacer and Toeboard Ramps

Task 1.

- 1 Fully raise the chair base.

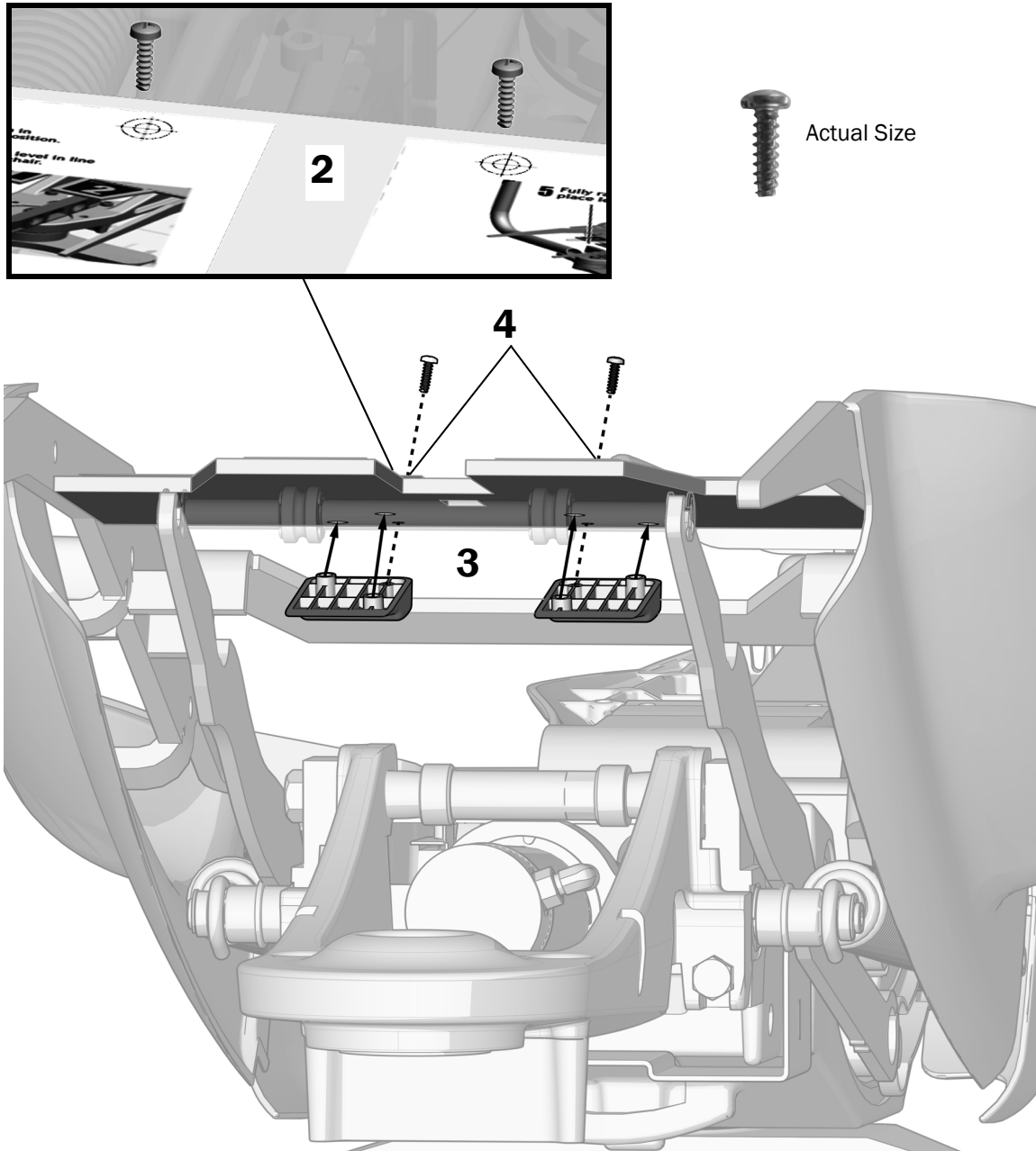


CAUTION The spacer must be correctly installed to prevent the rigid arms from damaging the covers when the chair is lowered.

- 2 Place the spacer with its solid side up and its opening toward the low pressure tubing. The spacer ships with the light and the monitor mount.

Task 2.

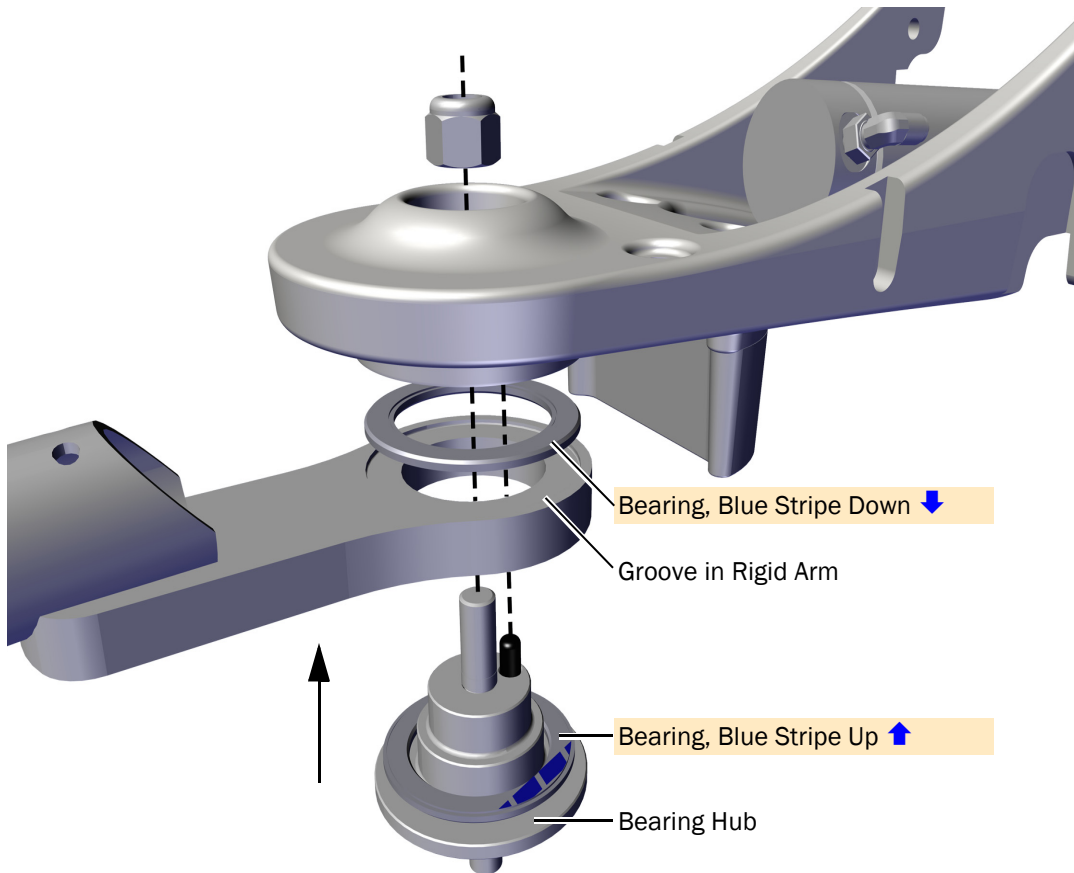
1. Fully lower the chair back.
2. Use a screw to poke through the two cross-hair targets at the top of the sticker.
3. Insert the posts of the ramps into the larger holes so that the ramp sits flush to the cam platform. The ramps ship with the light and monitor mount.
4. Secure each ramp with a screw.



Attach the Rigid Arms

Task 1.

- 1 Securely install the delivery system rigid arm, bearings, and bearing hub onto the front mount.



A-dec 511A Chair Manufactured After April 2011 Shown



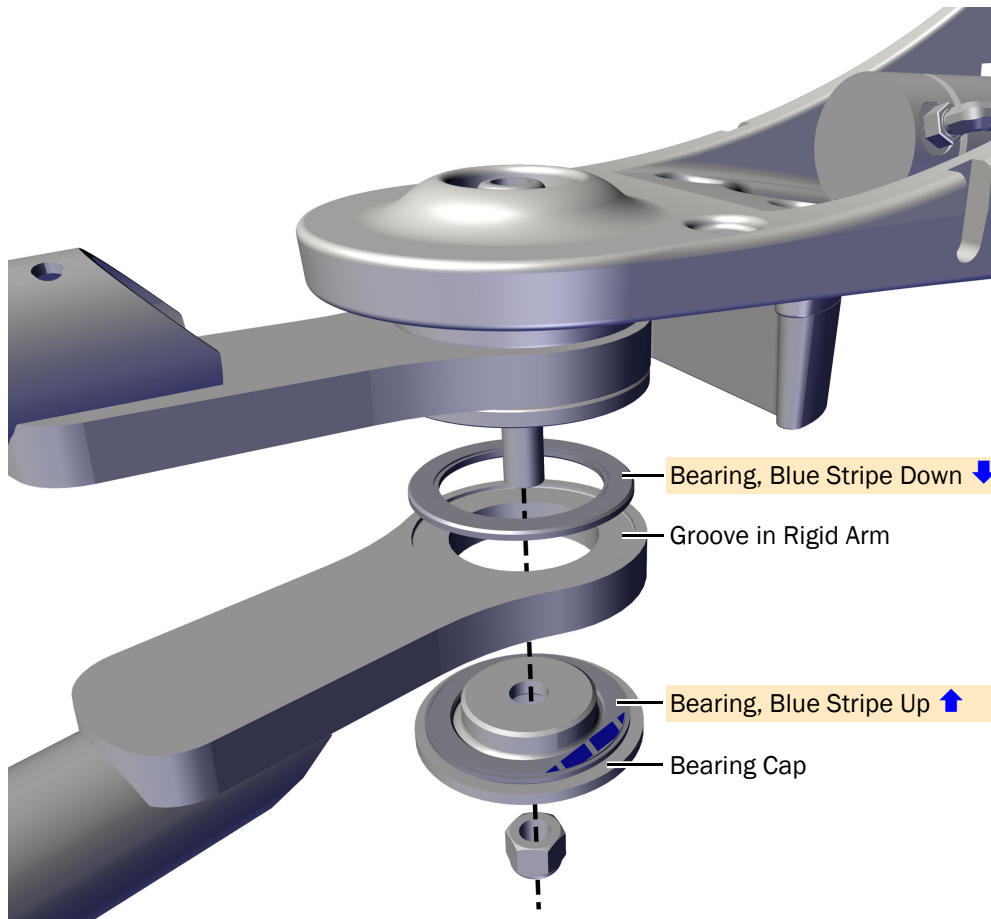
CAUTION For the arm to rotate properly, the bearings must be fully seated in the grooves in the arm with the blue stripe in the correct position. Proceed with care to ensure that the bearings do not shift out of position during tightening.

- 2 Tighten the nut securely so that the joint does not sag.



Task 2.

- 1 Install the dental light/monitor mount rigid arm, bearings, and bearing cap onto the bearing hub.



- 2 Tighten the nut securely so that the joint does not sag.
- 3 If the system includes a support center, install the 511 rotation stop. The stop and instructions ship with the support center.



511 Rotation Stop

Install the Delivery System

Install the Water Bottle Mount on the Delivery System Rigid Arm (A-dec 332pro/333pro only)



READ THIS! If you are installing an A-dec 336pro delivery system, the water bottle mount is installed at the factory. Continue with "Install the A-dec 336pro Delivery System" on page 21.

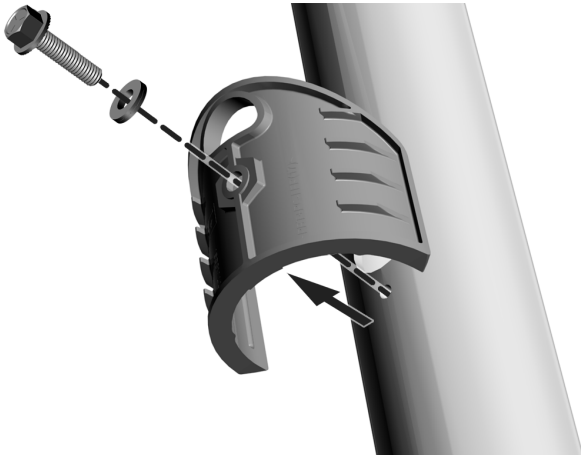


READ THIS! If you are installing a remote water bottle or a support center with a water bottle, do not complete this procedure. Insert the plug from the kit into the hole in the delivery system rigid arm.

Recommended Tool

- 5/16" combination wrench

Task 1.



- 1** Use a 5/16" combination wrench to remove the mount screw, washer, and plate from the rigid arm.

Task 2.



- 1** Route the water bottle tubing through the plate, into the hole in the rigid arm, and out the bottom of the arm.



TIP Leave the water bottle mount in the bubble wrap to protect the post.

Task 3.



- 1** Reinstall the plate. Leave the screw protruding enough for the water bottle mount to slide over it.

Task 4.



- 1** Slide the water bottle mount down over the screw and secure it to the arm.

Install the A-dec 332pro or 333pro Delivery System

Recommended Tools

- 3/8" and 5/32" hex keys



READ THIS! If you are installing an A-dec 336pro delivery system, do not use this procedure. See "Install the A-dec 336pro Delivery System" on page 21.

Task 1.

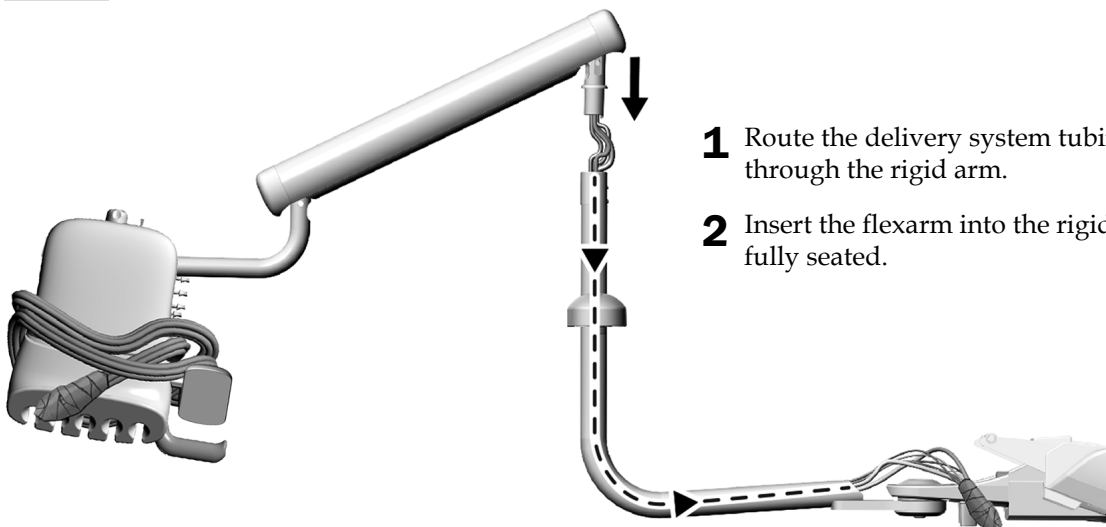


- 1** Fully lower the chair base.
- 2** Pick up the delivery system and put it over your shoulder so one hand is free to route the tubing bundle.



TIP To make it easier to handle, wrap the Traditional delivery system handpiece tubing around the control head before picking up the delivery system.

Task 2.



- 1** Route the delivery system tubing down through the rigid arm.
- 2** Insert the flexarm into the rigid arm until it is fully seated.

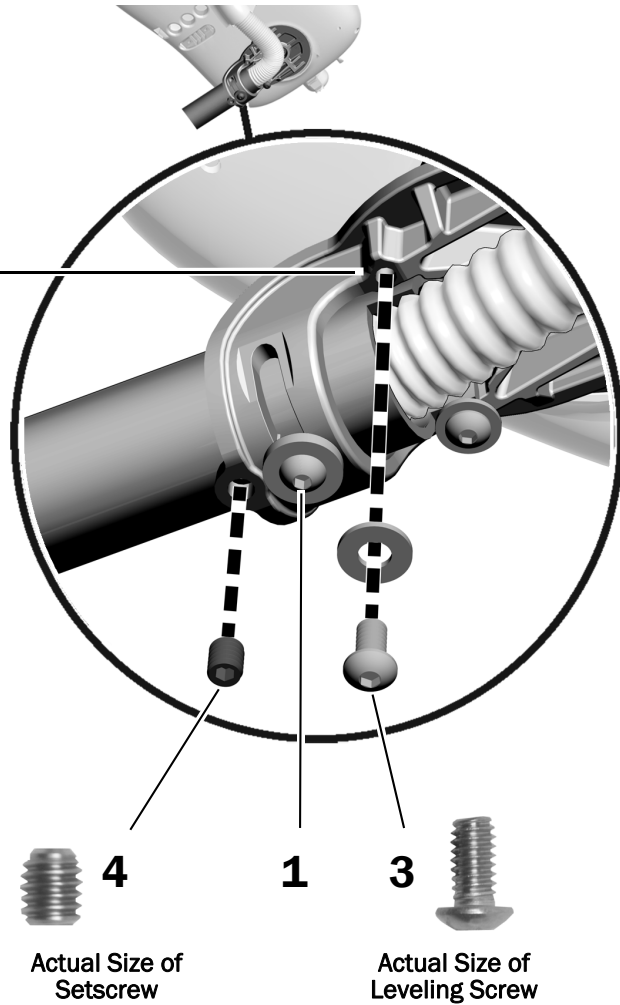
Task 3.

1. Loosen the button head screw.



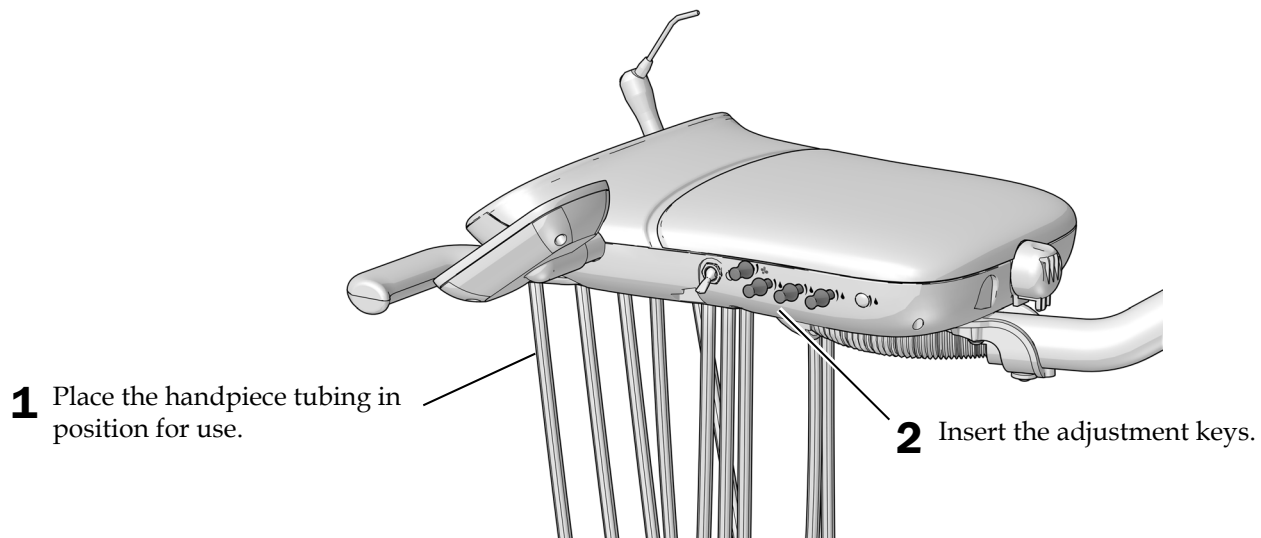
NOTE Do not back out the button head screw all of the way. Only loosen it enough to be able to move the control head.

2. Rotate the control head so it is positioned over the hole for the missing leveling screw.
3. Install and tighten the 1/4-20 x 1/2" leveling screw and washer.
4. Install the 3/8" setscrew.
5. Tighten the button head screw.



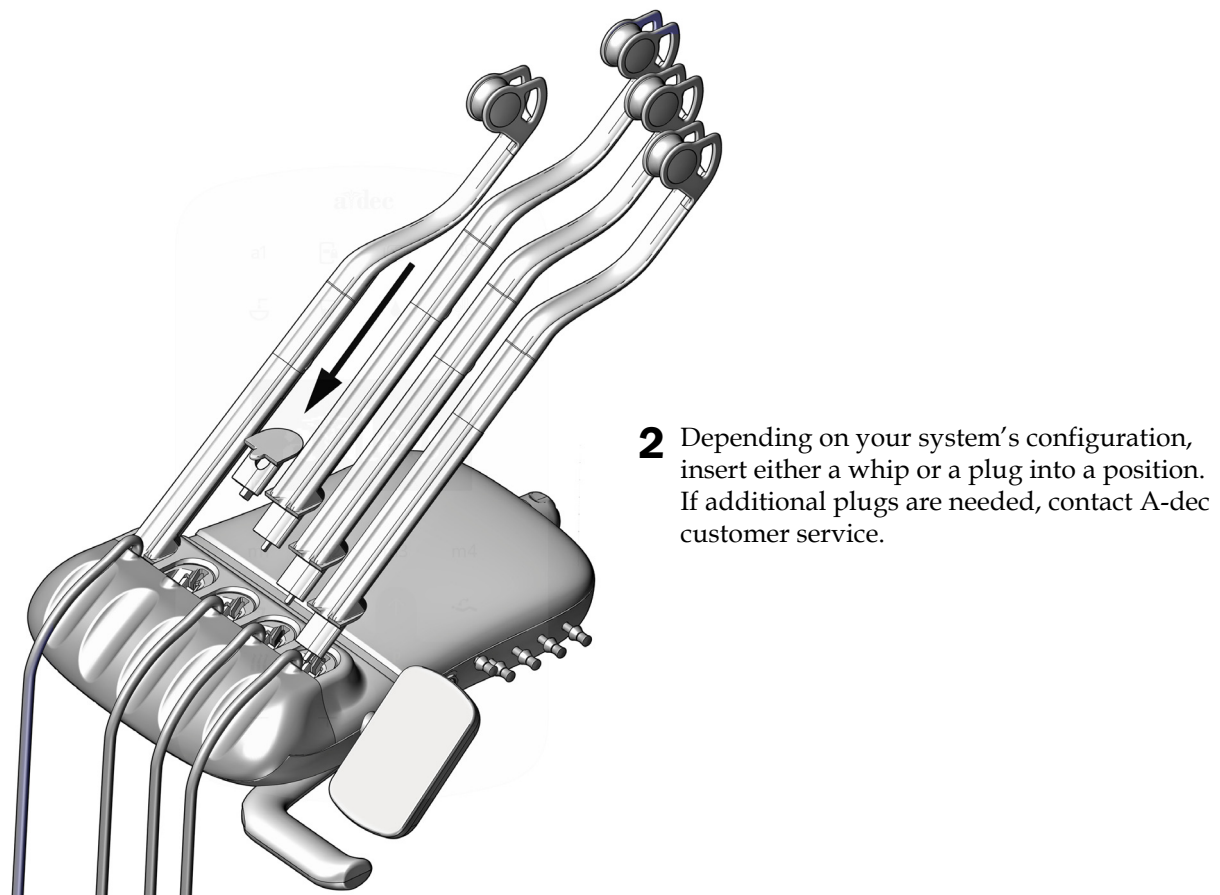
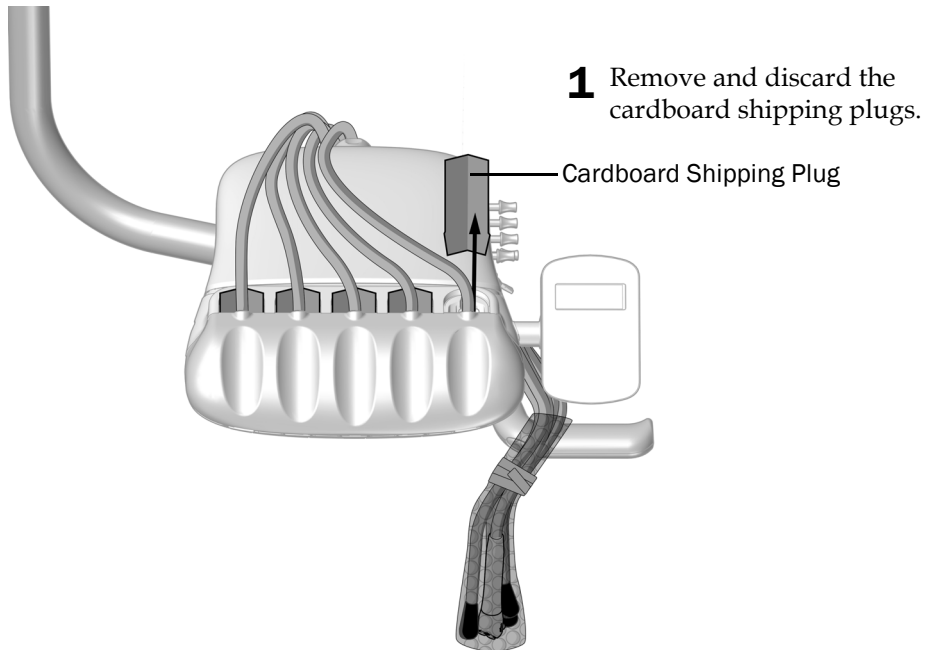
Task 4.

Install the Handpiece Tubing and Adjustment Keys (A-dec 332pro only)

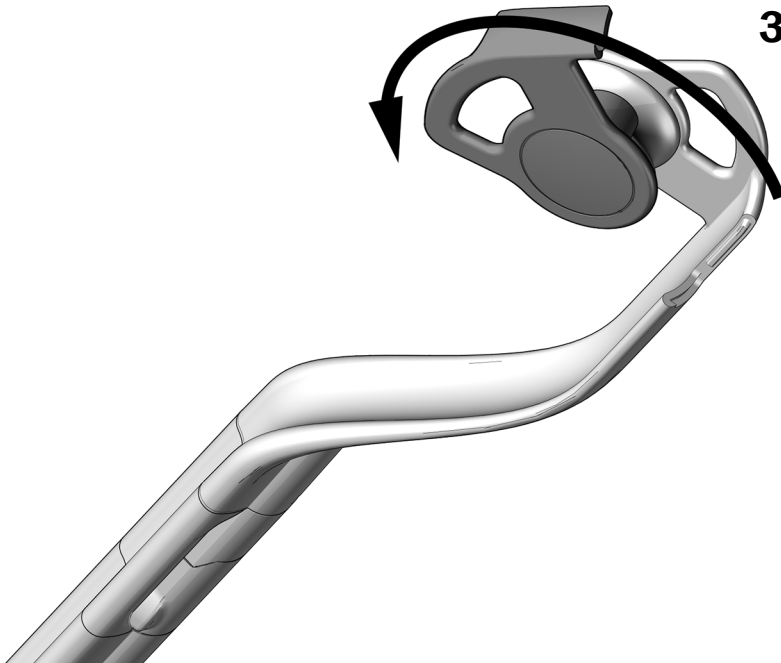


Task 5.

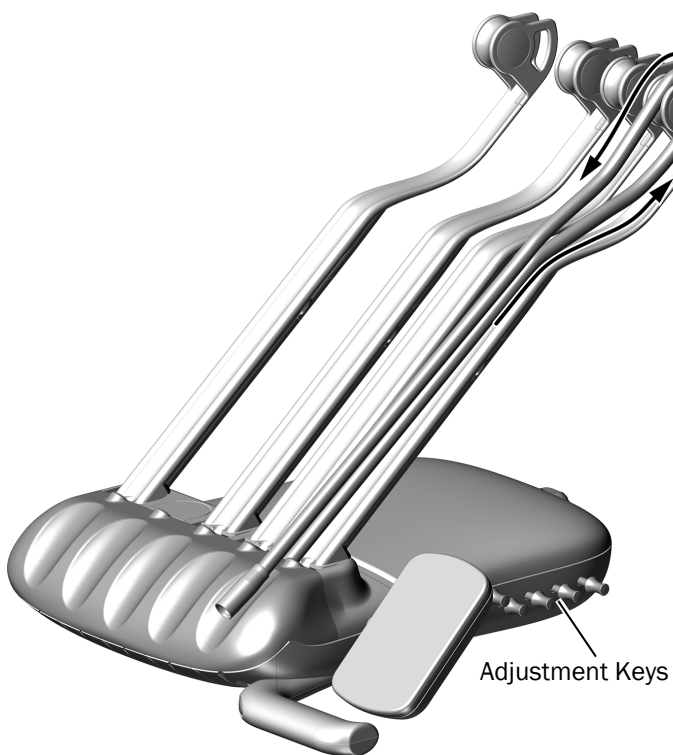
Install the Continental Whips and Adjustment Keys (A-dec 333pro only)



- 3** To open the whip, rotate the tubing guide 90° counterclockwise.



- 4** Route the tubing through the whip assemblies.
- 5** Close the tubing guide and make sure it snaps shut.
- 6** Place the handpiece tubing in the holders and insert the adjustment keys into the holes on the side of the control head.



Install the A-dec 336pro Delivery System

Recommended Tool

- 3/32" hex key

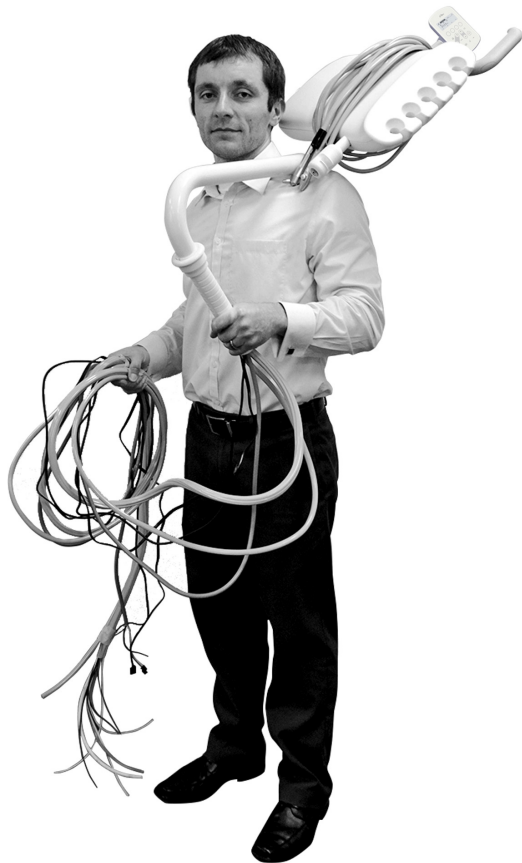


NOTE To avoid problems, read all of this procedure before attempting to install the delivery system.

Task 1.

- 1** If there is room, place the box containing the delivery system next to the chair. If you can't place the box next to the chair, proceed with Task 2.
- 2** Route as much of the tubing into the rigid arm as you can.

Task 2.



- 1** Pick up the delivery system and put it over your shoulder so one hand is free to route the tubing bundle.



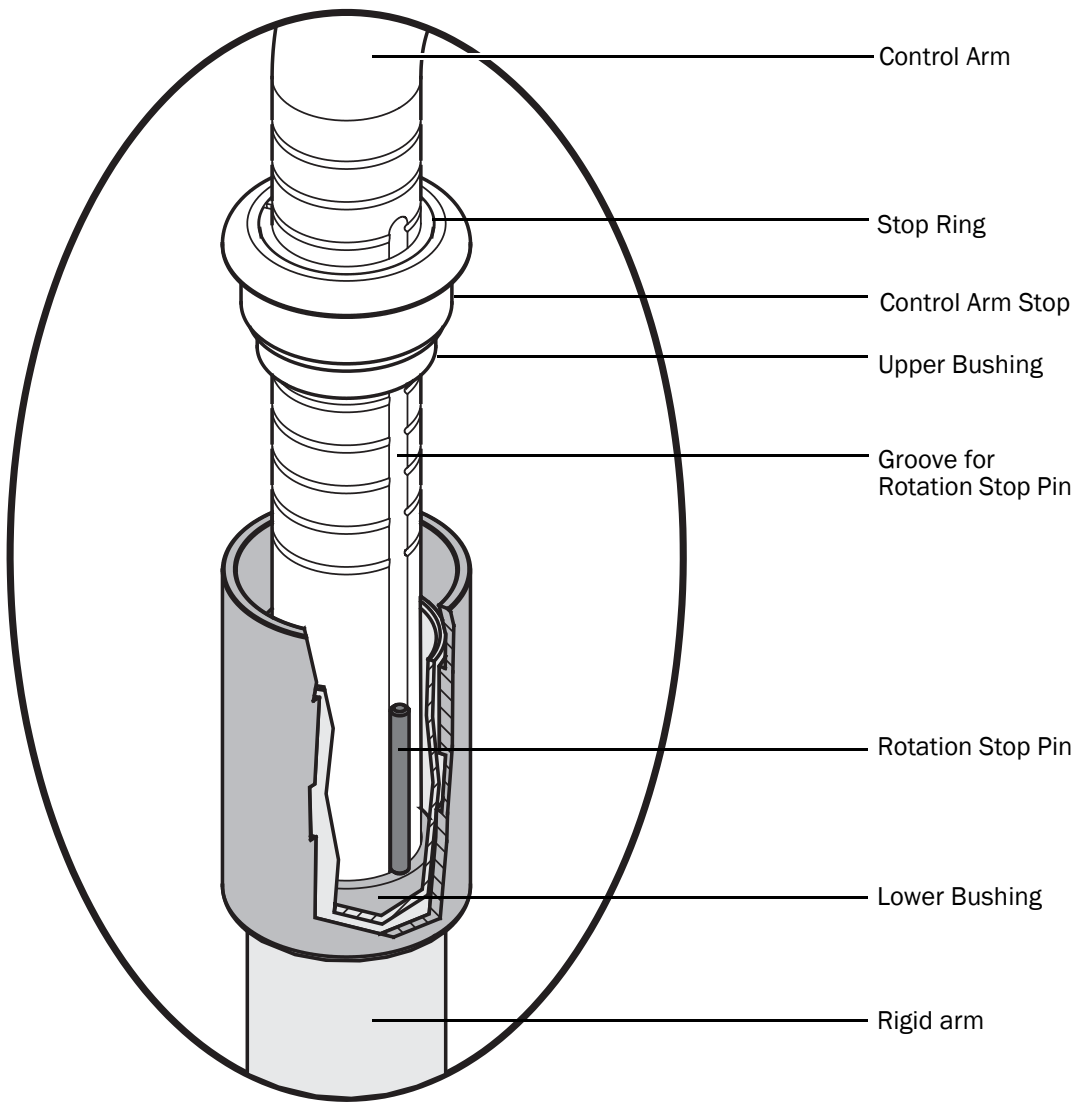
TIP To make it easier to handle, wrap the delivery system handpiece tubing around the control head before picking up the delivery system.

Task 3.

- 1 Remove the rotation stop pin (that is taped to the control arm) from the control arm.
- 2 Route the delivery system tubing through the rigid arm.
- 3 Carefully lower the control arm into the rigid arm until the end of the control arm is past the top of the lower bushing.

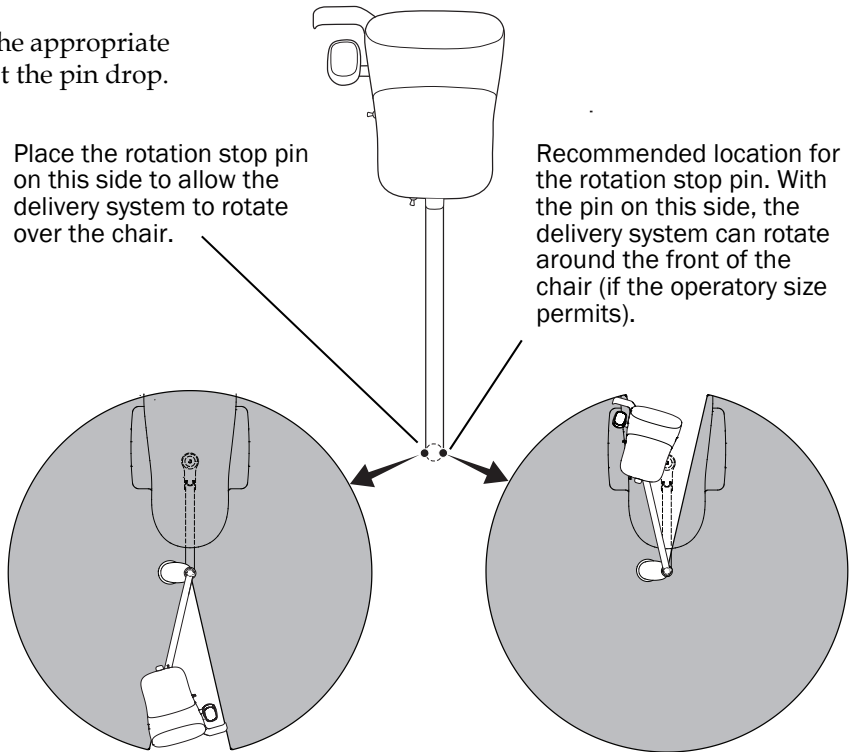


NOTE If the end of the control arm is not inserted past the lower bushing, the rotation stop pin can fall into the rigid arm. The rotation stop pin prevents the delivery system from rotating continuously and twisting the delivery system tubing.



Task 4.

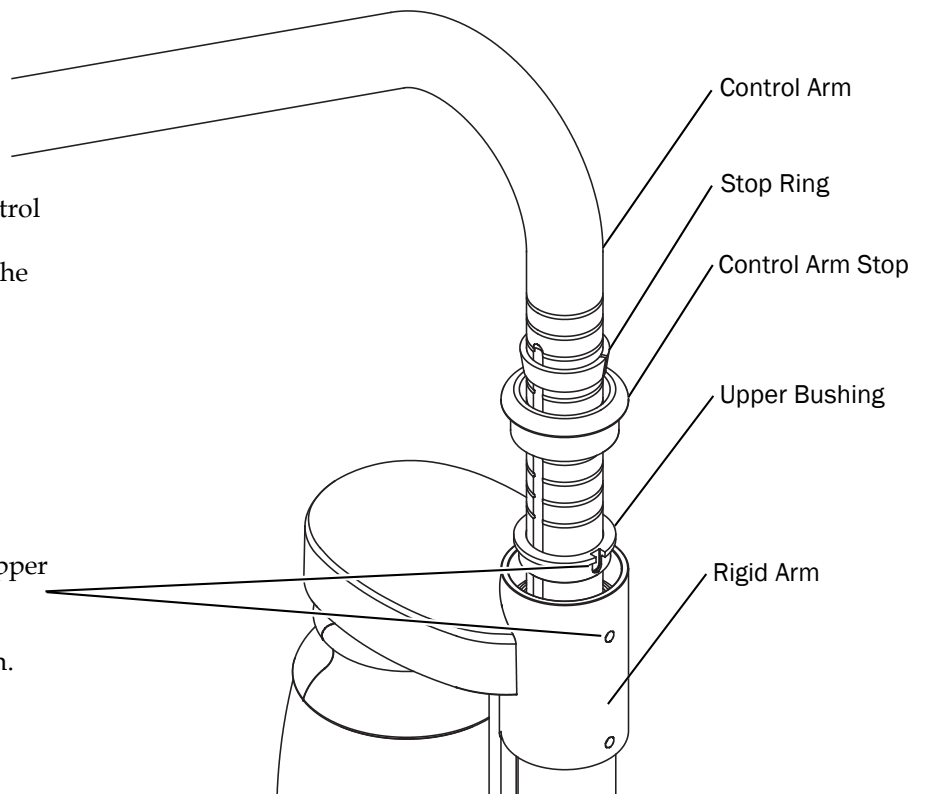
- 1 Place the rotation stop pin into the appropriate groove in the control arm and let the pin drop.



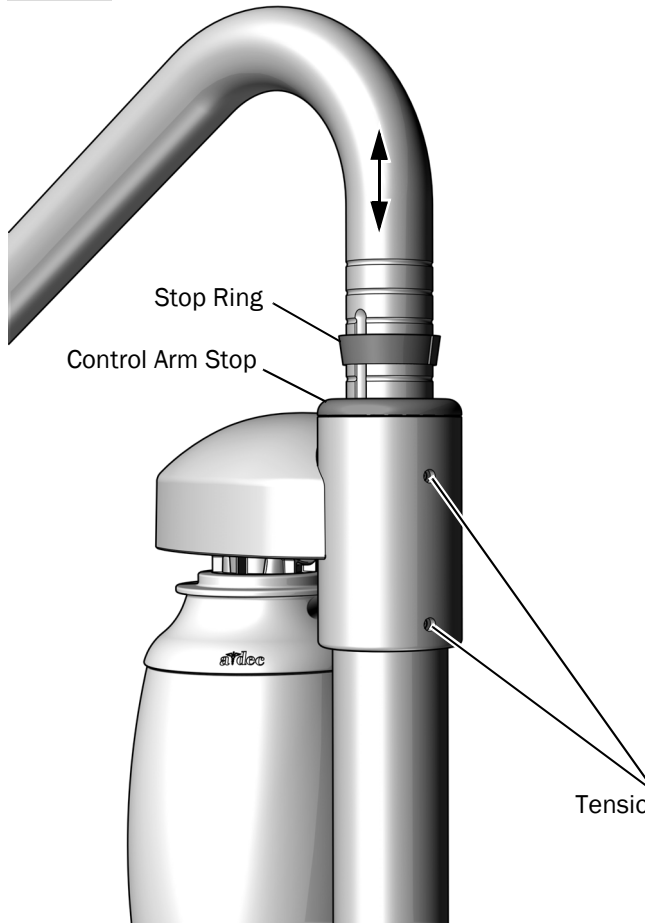
Task 5.

- 1 While holding the stop ring, control arm stop, and upper bushing together, remove the tape from the control arm.

- 2 Carefully align the hole in the upper bushing with the top tension adjustment setscrew. Lower the upper bushing into the rigid arm.



Task 6.



- 1** Tighten the top tension adjustment setscrew.
- 2** Lower the control arm stop into the rigid arm.
- 3** Move the stop ring to the lowest position along the control arm to set the maximum height of the delivery system.

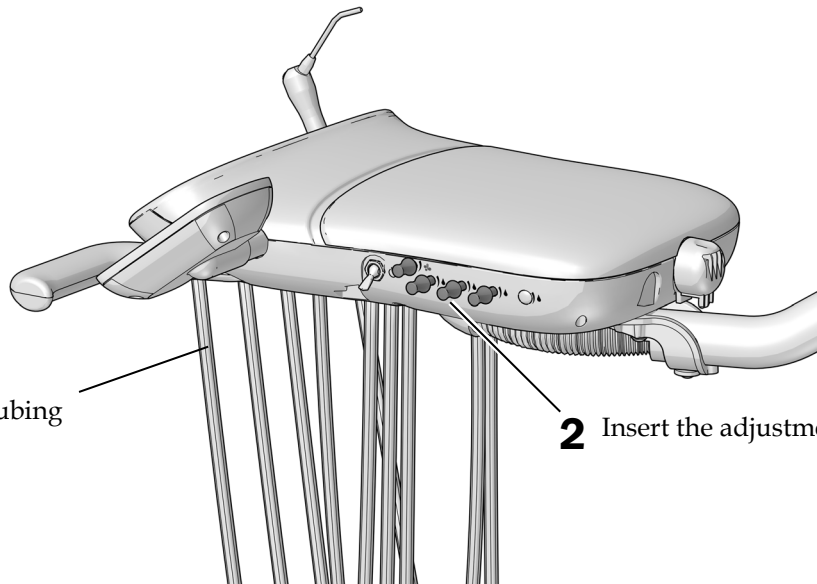


NOTE Position the control arm at its maximum height before trimming the tubing to ensure enough tubing remains for the control head to move through its full range of motion.

- 4** Lower the upper control arm until the stop ring fits into the upper control arm stop.
- 5** Use a 3/32" hex key to tighten the upper and lower tension setscrews.
- 6** Check for drift and tighten the setscrews, if necessary.

Tension Adjustment Setscrews

Task 7.



- 1** Place the handpiece tubing in position for use.

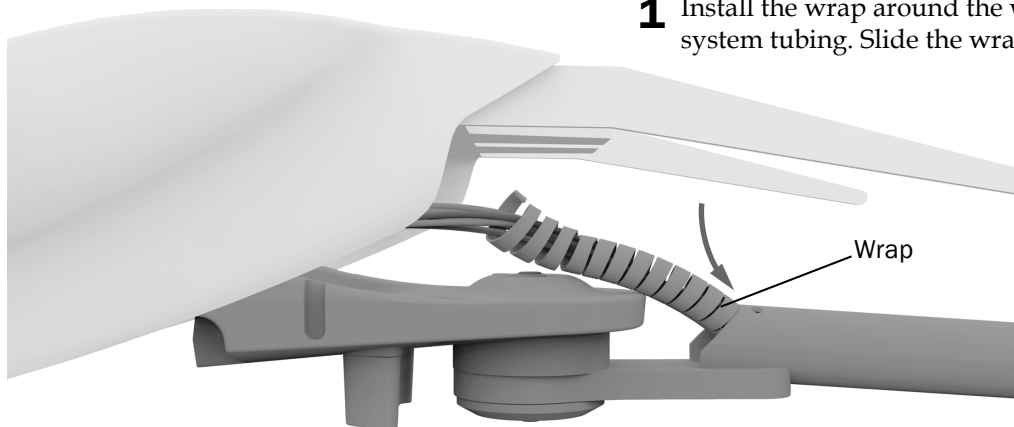
- 2** Insert the adjustment keys.

Route the Tubing and Wiring

Task 1.

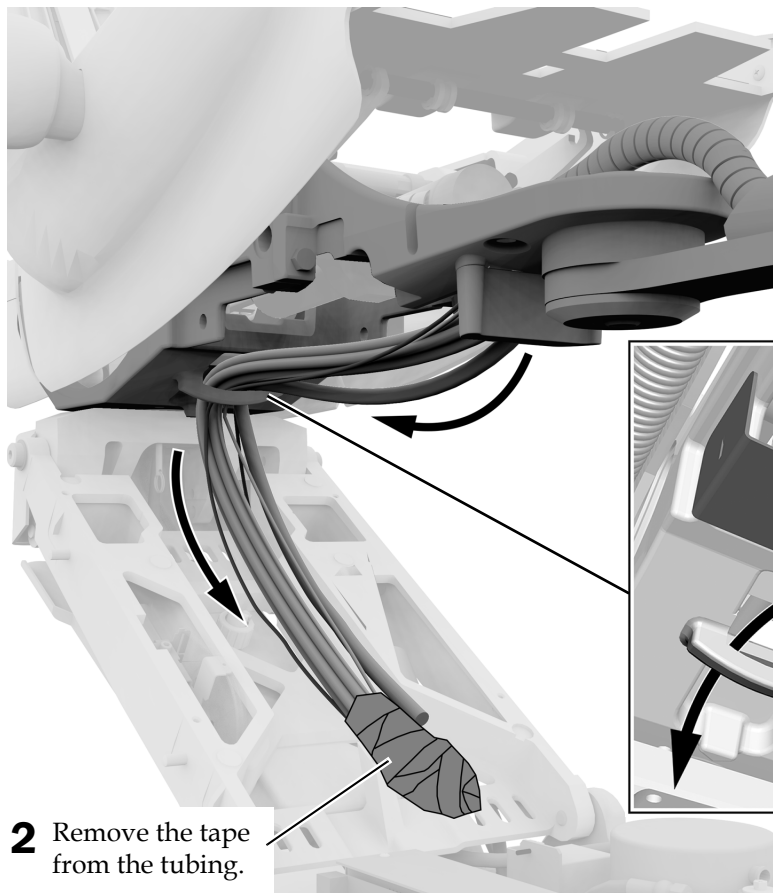


NOTE To provide proper range of motion and prevent the umbilical from interfering with the flex arm cover, do not pull the umbilical completely tight when routing through the rigid arm.



- 1 Install the wrap around the water bottle and delivery system tubing. Slide the wrap slightly into the rigid arm.

Task 2.



CAUTION To avoid damaging tubing and cables, route all tubing and cables below the shield.

- 1 Route the tubing and wiring under the shield and through the loop.

- 2 Remove the tape from the tubing.

Install the Tray Holder Mount (optional)

Select the procedure for the system's type of control head.

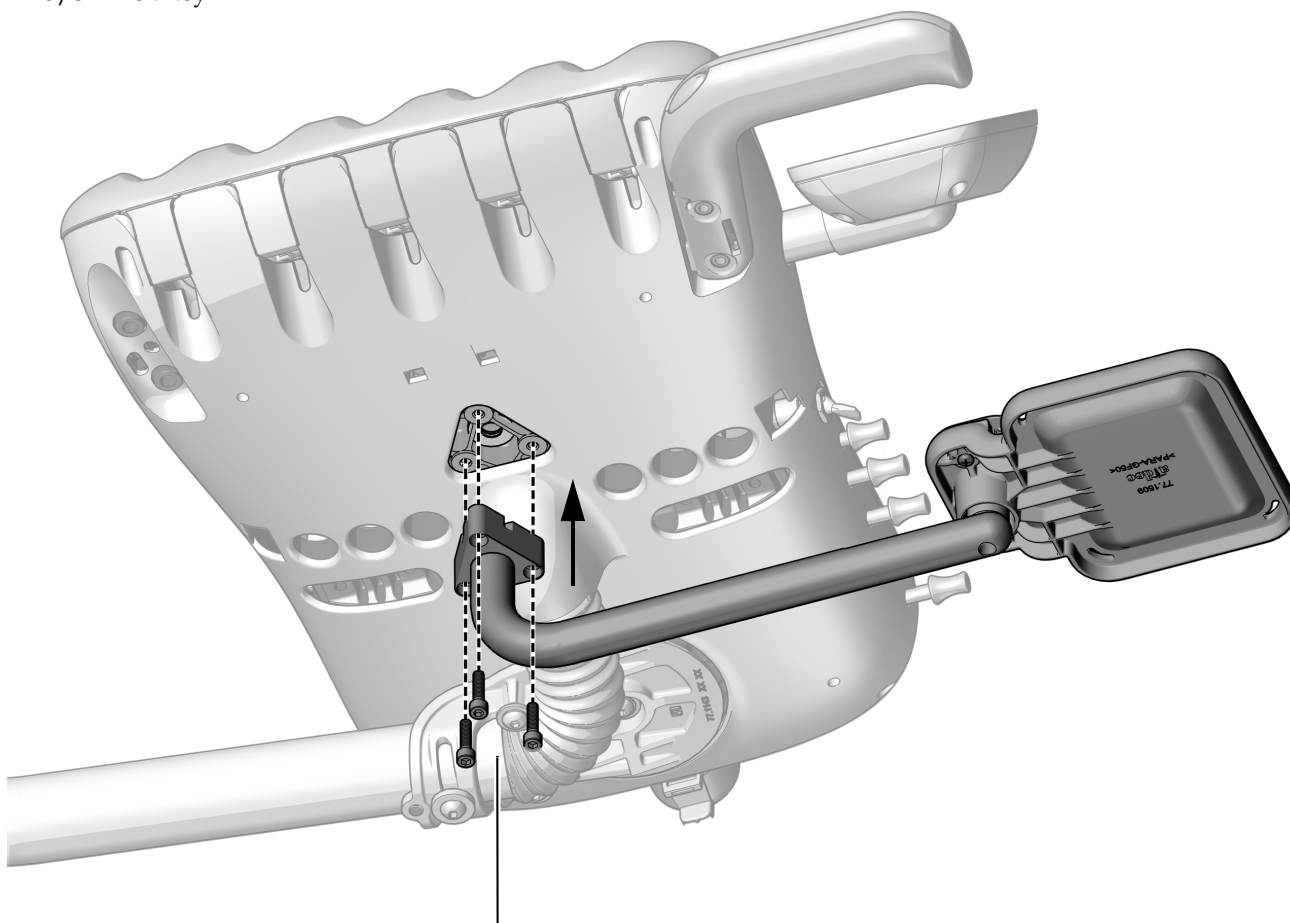
Install the Tray Holder Mount on a Continental Delivery System 26

Install the Tray Holder Mount on a Traditional Delivery System 27

Install the Tray Holder Mount on a Continental Delivery System

Recommended Tool

- 5/32" hex key



- 1** Use three 10-32 x 3/4" screws to attach the mount arm.

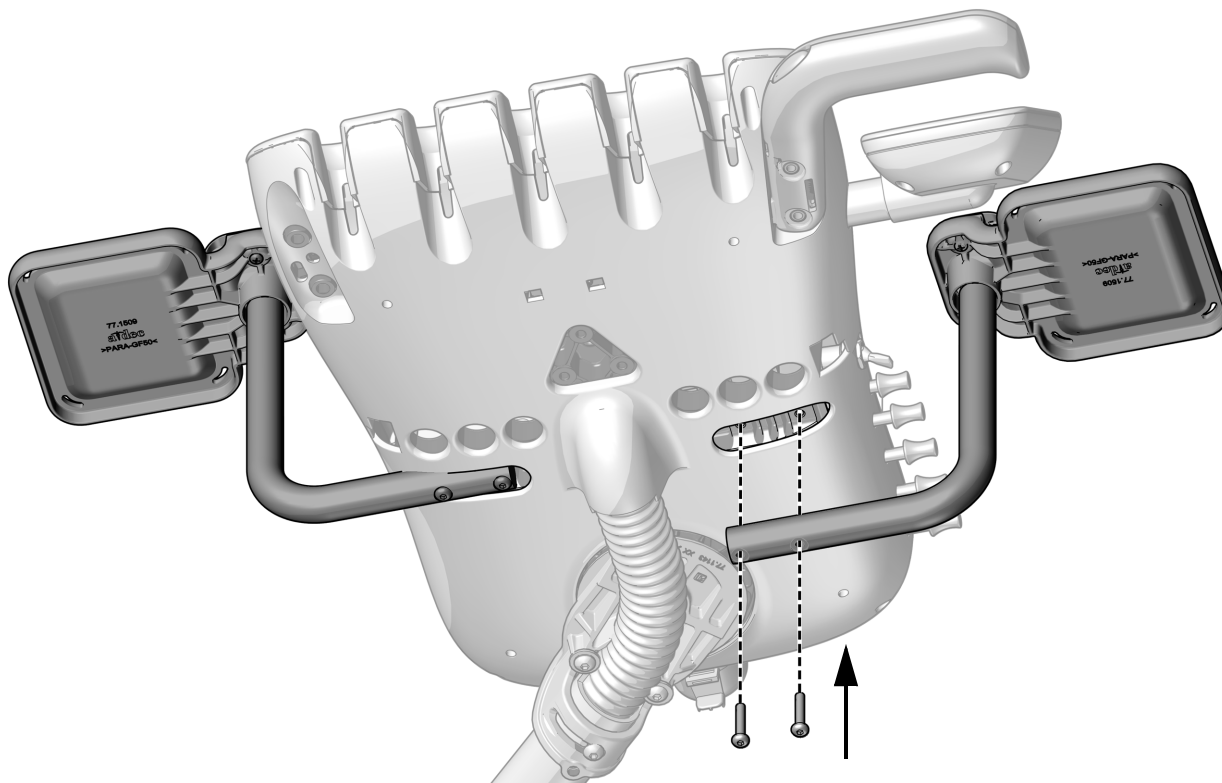
Install the Tray Holder Mount on a Traditional Delivery System

Recommended Tool

- 1/8" hex key



TIP To provide better access to the adjustment keys, mount the tray holder on the side of the control head opposite of the keys.



- 1** Use two 10-32 x 1" button head screws to attach the mount arm to either side of the bottom of the control head.

Connect the Wires and Data Line



ATTENTION Circuit boards are sensitive to static electricity. Electrostatic Discharge (ESD) precautions are required when touching a circuit board or making connections to or from the circuit board. Circuit boards should be installed only by an electrician or qualified service person.



WARNING Failure to turn off or disconnect the power before you begin this procedure can lead to product damage and result in serious injury or death.



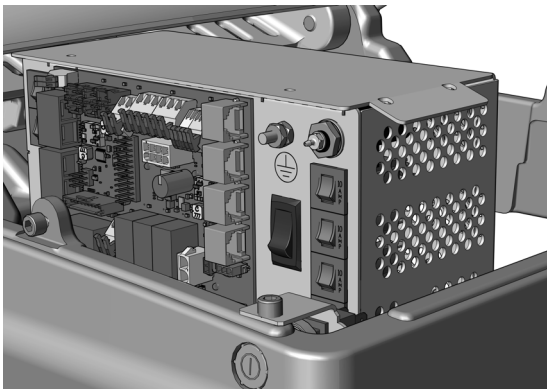
CAUTION To avoid damaging or disconnecting wires and tubing, don't connect anything until all of the system's modules are installed.



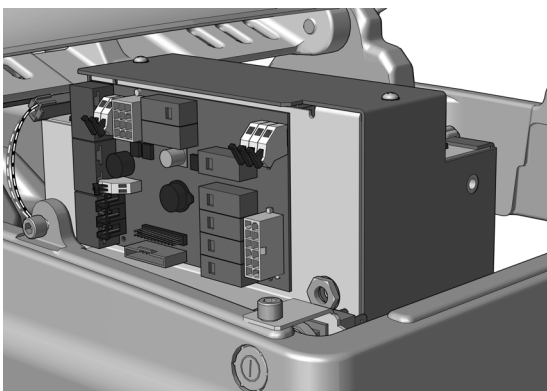
NOTE The top of the power supply has a diagram of the electrical connections for the chair circuit board.

1. Turn off the power to the chair.

Complete the following section according to which power supply the system includes.



Connect the Wires and Data Line to an A-dec Universal Power Supply Manufactured After June 2023 29



Connect the Wires and Data Line to an A-dec 511 Power Supply Manufactured Before June 2023 30

Connect the Wires and Data Line to an A-dec Universal Power Supply Manufactured After June 2023

Recommended Tools

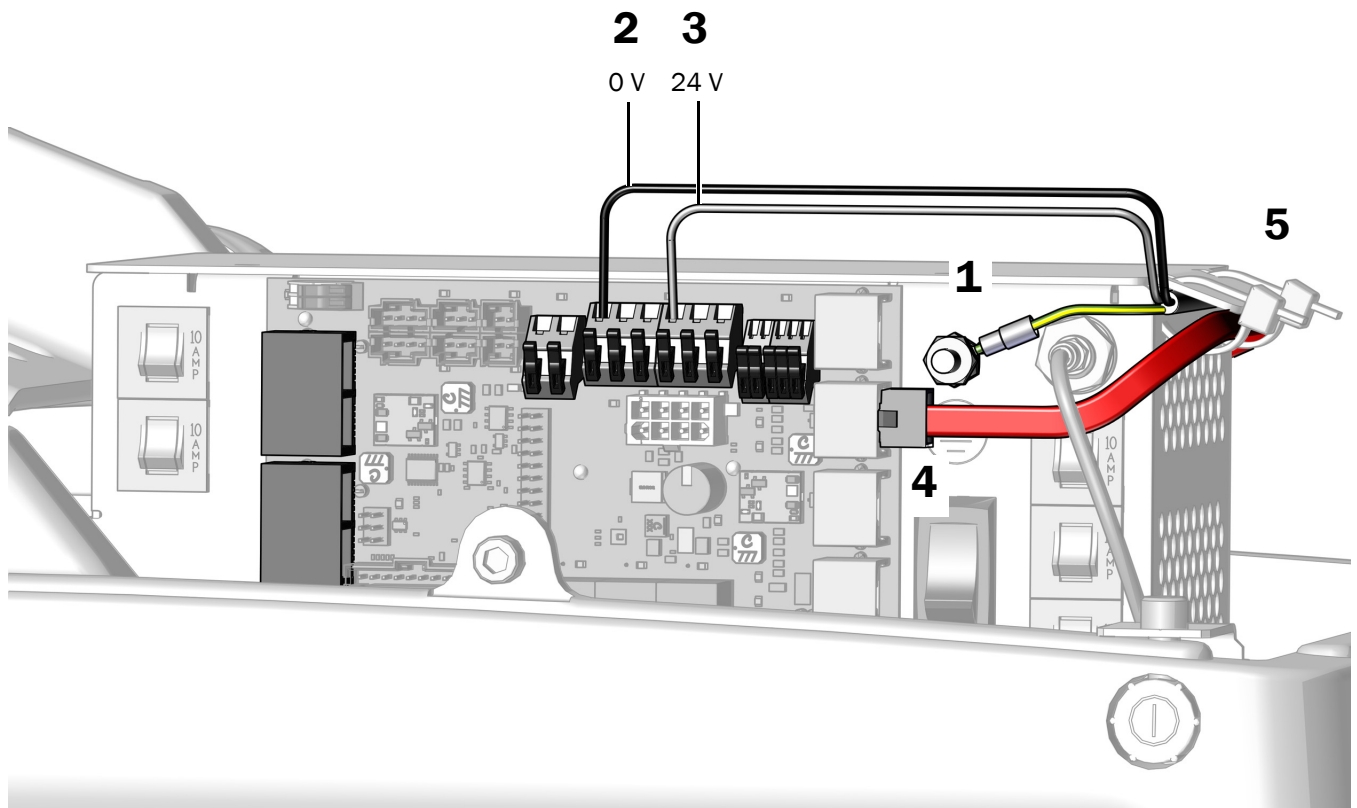
- 3/8" combination wrench
- Diagonal cutters

1. Attach the delivery system's ground wire.
2. Connect the black wire from the delivery system cable to the 0 V wire connector.
3. Connect the gray wire from the delivery system cable to the 24 V wire connector.



NOTE If needed, you can connect more than one wire to a single terminal.

4. Plug the red DCS2 data line into a port toward the toe of the chair.
5. After all of the electrical connections have been made for the system's modules, secure the wires and red DCS2 data line under the lip on the power supply.



Next Step See "Connect the Tubing" on page 32.

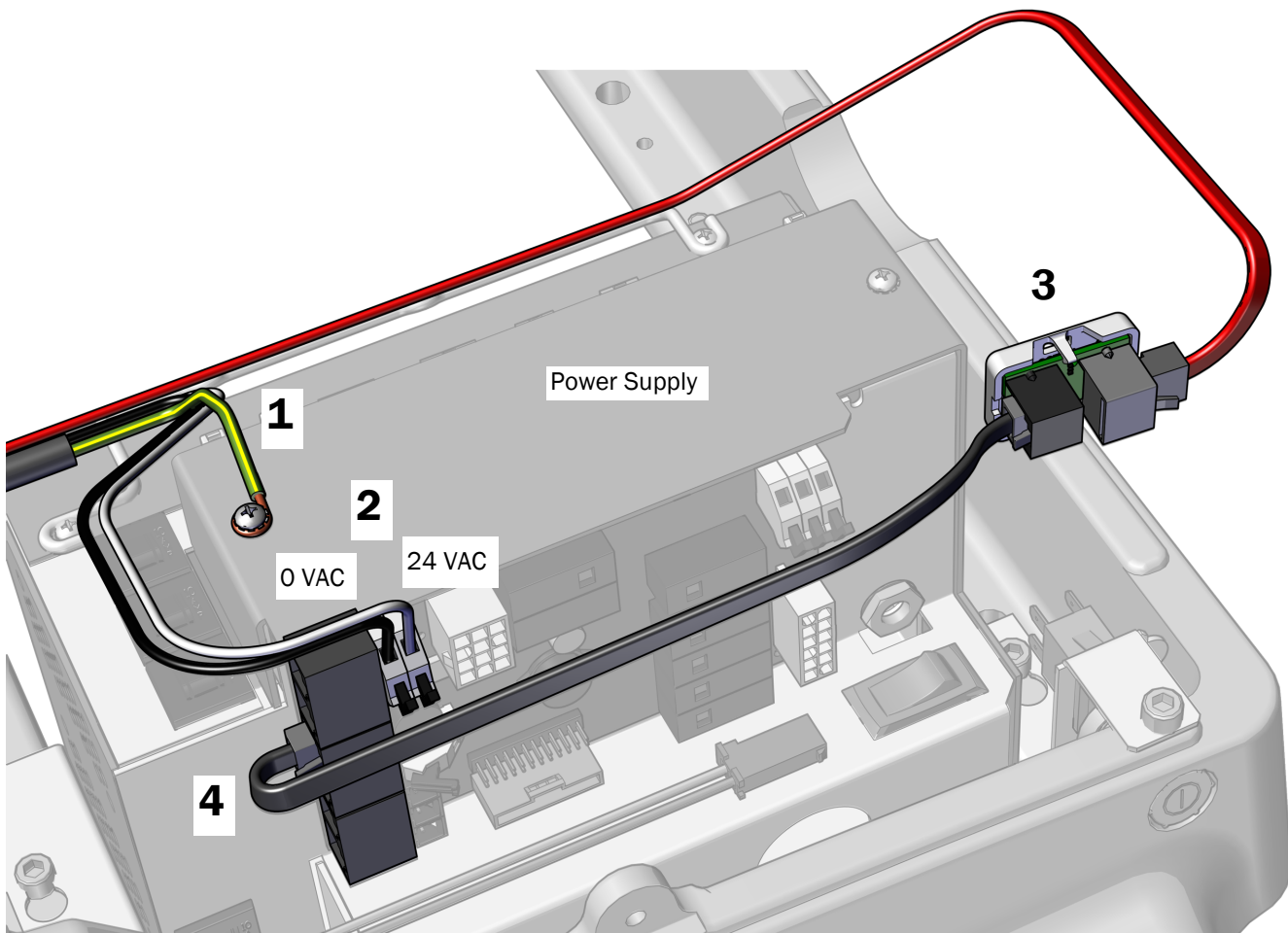
Connect the Wires and Data Line to an A-dec 511 Power Supply Manufactured Before June 2023

Recommended Tools

- Phillips head screwdriver
- Diagonal cutters

Task 1.

1. Use a Phillips head screwdriver to connect the ground wire to the top of the power supply.
2. Connect the black wire to 0 VAC, and gray wire to 24 VAC of the chair board's terminal strip.
3. Position the translator board with the gray DCS2 port toward the toe of the chair and connect the red DCS2 data line to the gray port.
4. Connect the black DCS1 data line from the black port on the translator board to the port on the power supply.



Task 2.



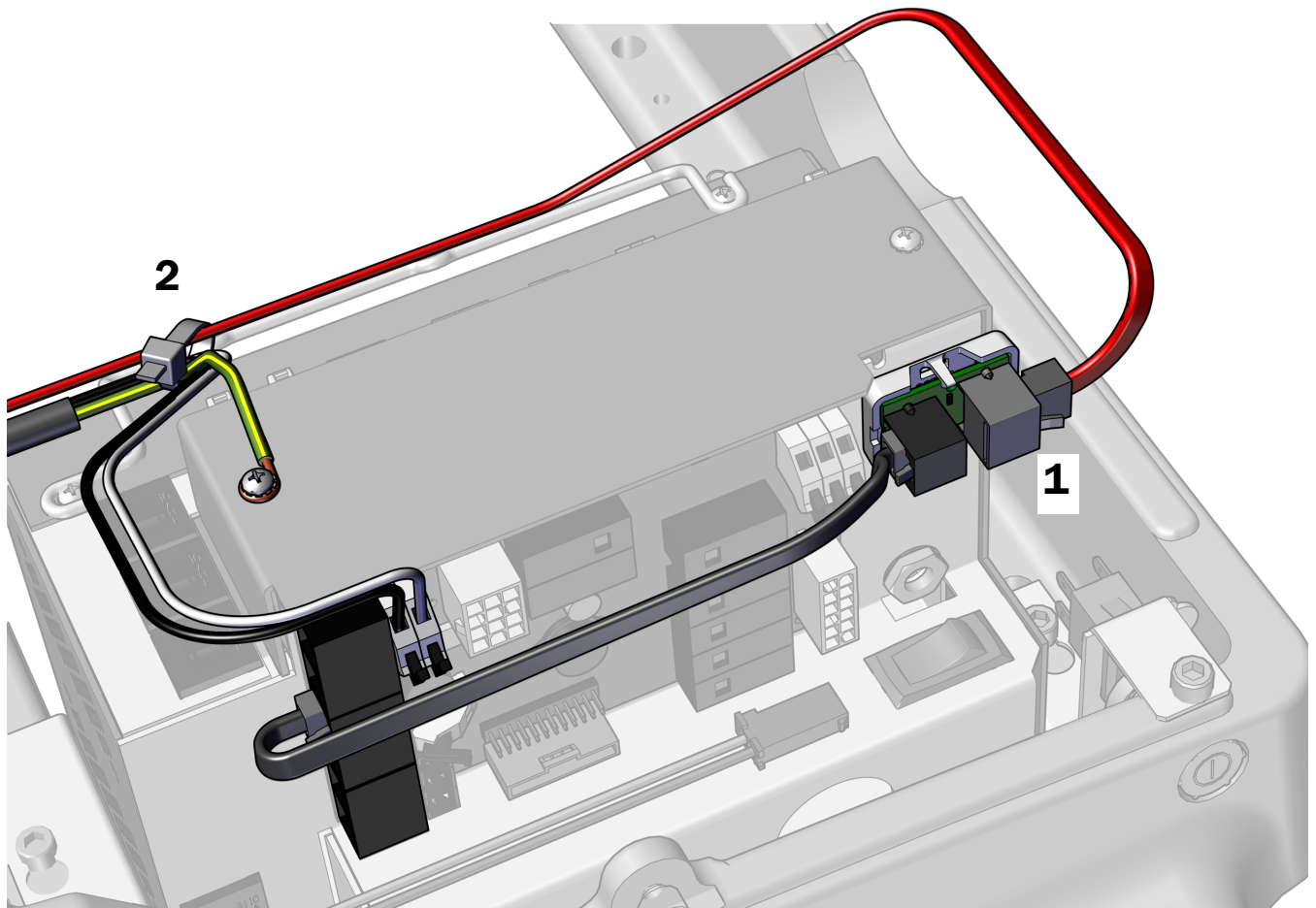
CAUTION Do not attach the translator board to the top of the power supply chassis. The pump cover will not fit.

1. Peel off the protective paper from the translator board. Attach the translator board to the front of the power supply in the upper right corner.



NOTE If there is already an adaptor board for an LED light attached to the power supply, stack the translator board below it.

2. Secure the wiring to the bail with cable ties.



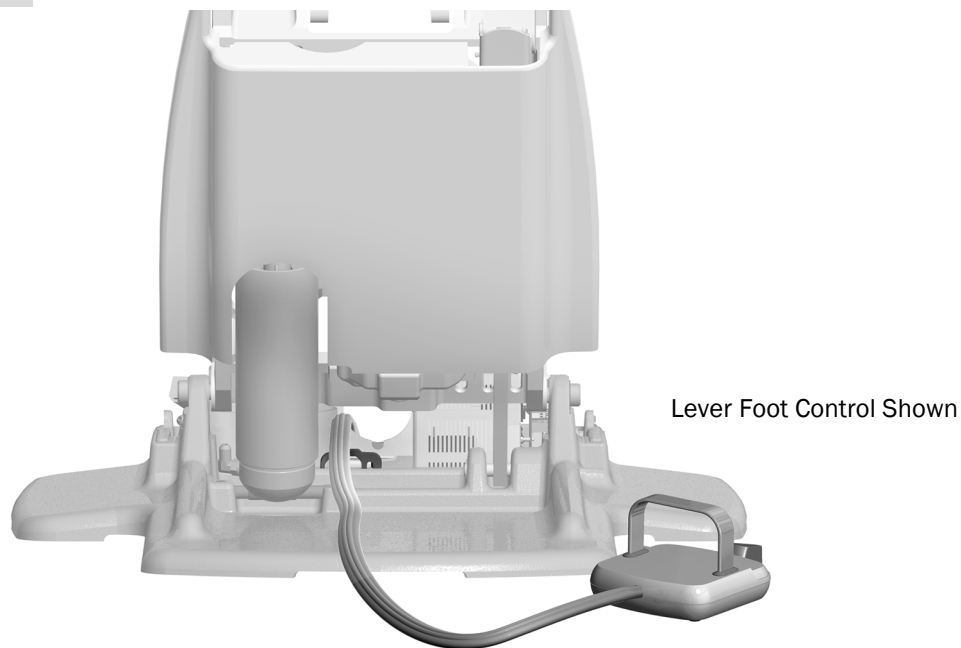
Connect the Tubing

Install the Foot Control

Recommended Tool

- 3/16" hex key

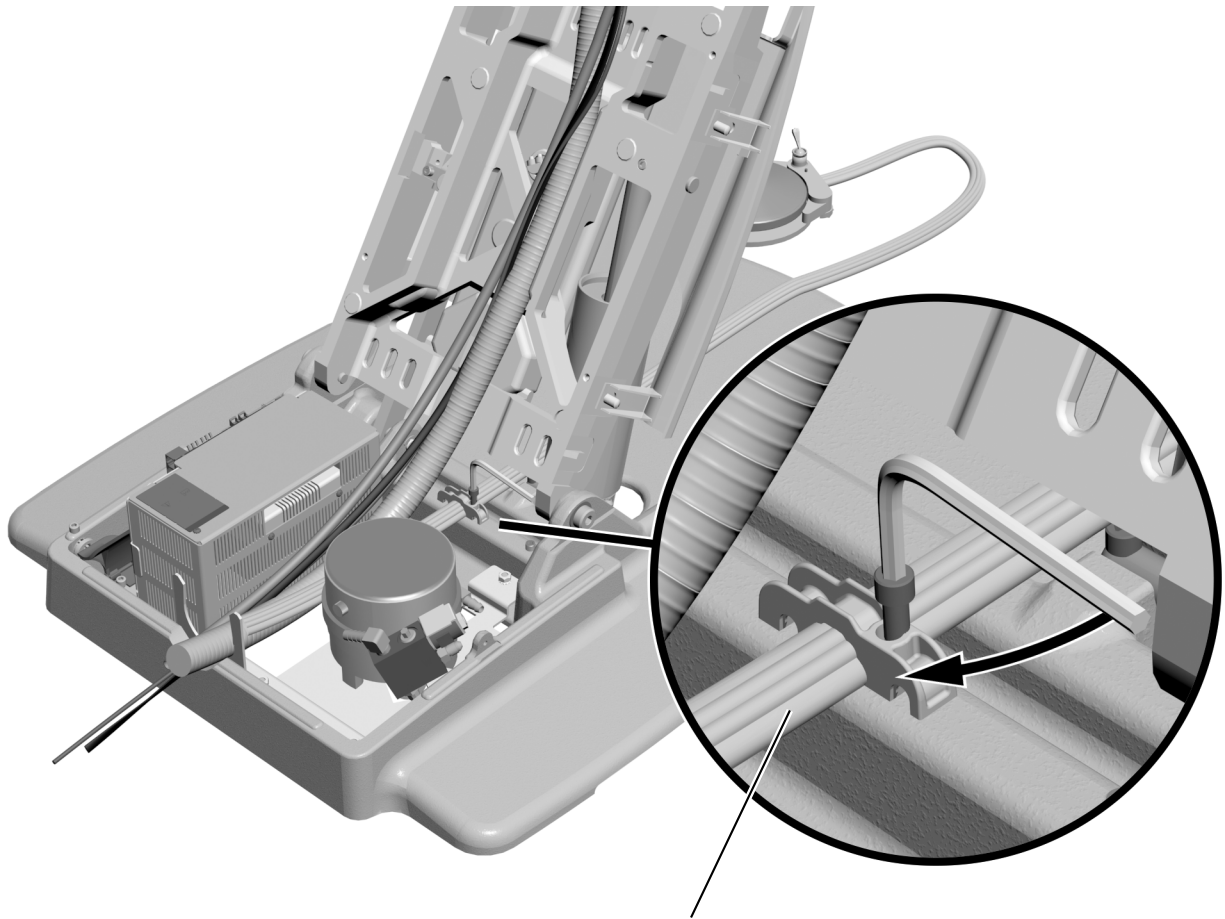
Task 1.



CAUTION To prevent damaging the equipment while the chair is in use, do not route the foot control tubing under the hydraulic tubing.

- 1** From the back of the chair, route the foot control tubing over the strain relief and behind the power supply.

Task 2.



- 1** Use a 3/16" hex key to secure the foot control tubing to the chair base in the strain relief.



NOTE For proper positioning, the ridges on the foot control tubing face up to match the grooves in the strain relief.

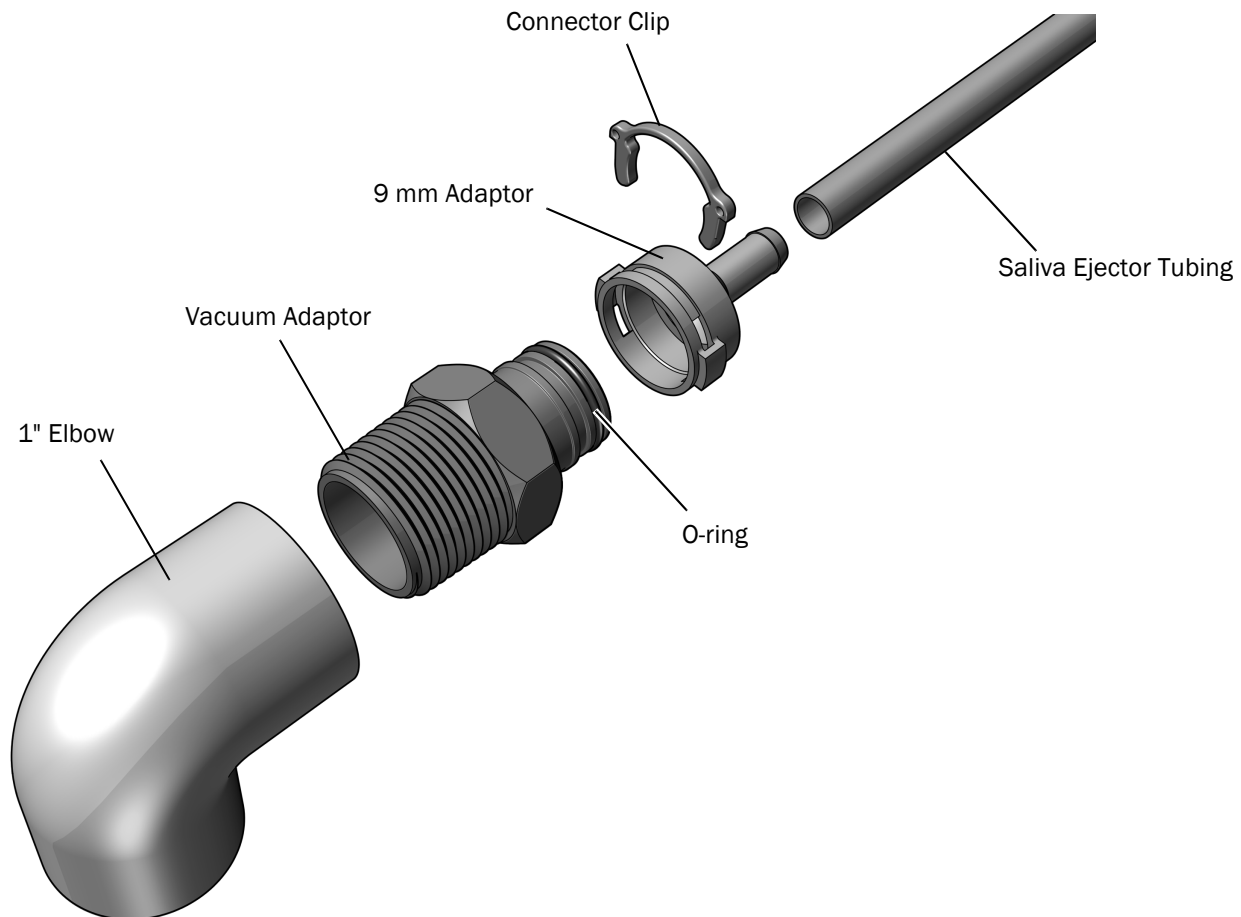
Connect the A-dec 336 Saliva Ejector (Optional) Tubing

If you installed an A-dec 336 Delivery System with the optional saliva ejector, follow this procedure to connect the vacuum line for the saliva ejector.

Connect the Saliva Ejector Tubing on a Chair Without Assistant's Instrumentation

Task 1.

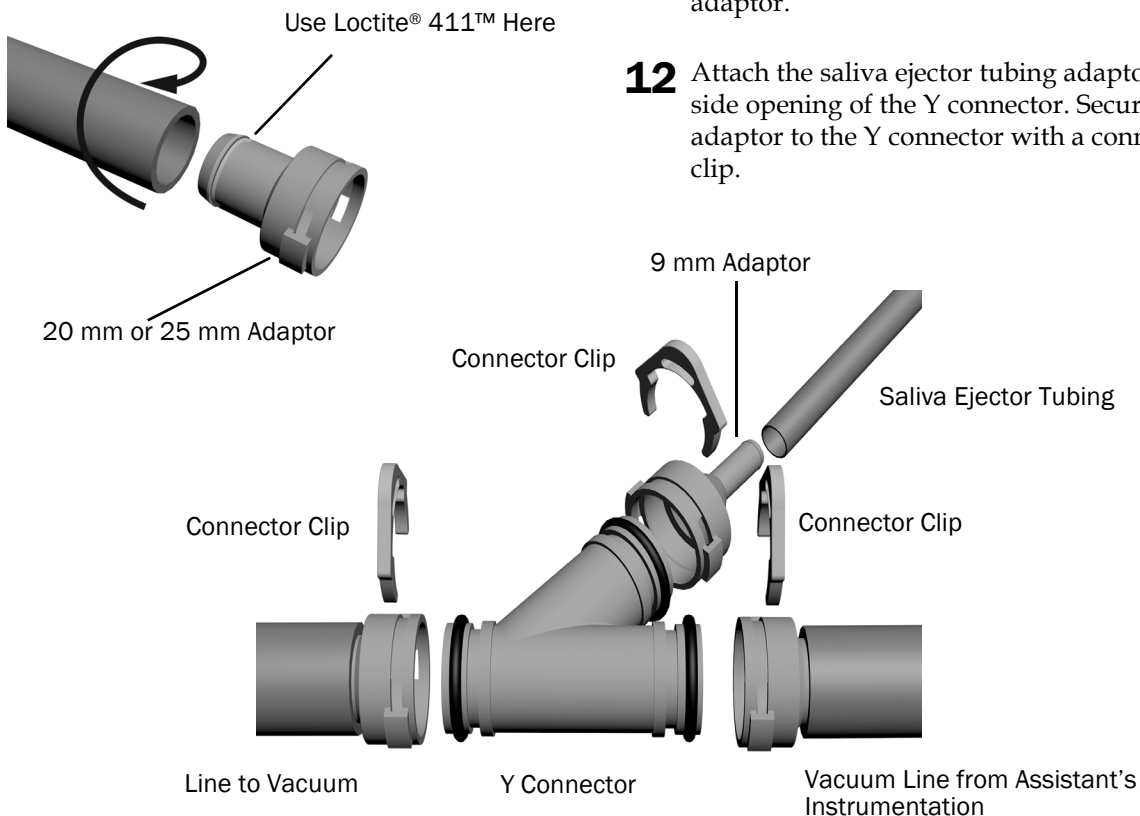
- 1** Locate the 5/16" saliva ejector tubing in the delivery system tubing bundle.
- 2** Route the saliva ejector tubing through the convolute into the floor box.
- 3** Connect the vacuum adaptor (copper with a brass collar attached) to the vacuum line.
- 4** Route the saliva ejector tubing to the vacuum adaptor. Trim the tubing to remove excess tubing leaving enough tubing for a service loop.
- 5** Push the saliva ejector tubing onto the 9 mm adaptor.
- 6** Verify that an O-ring is installed on the vacuum adaptor. If it is not, install an O-ring in the first groove on the adaptor.
- 7** Attach the saliva ejector 9 mm adaptor to the vacuum adaptor. Secure the tubing connector to the vacuum adaptor with the connector clip.



Connect the Saliva Ejector Tubing on a Chair With A-dec 351 or 551 Assistant's Instrumentation

Task 1.

- 1** Route the assistant's instrumentation vacuum line through the convolute into the floor box.
- 2** Route the saliva ejector tubing through the convolute into the floor box.
- 3** Position the Y connector in the floor box next to the assistant's instrumentation vacuum line. Cut the vacuum line at a point next to the top of the Y connector.
- 4** Spread Loctite® 411™ around the lip on one of the adaptors. If a 351 is installed, use 20 mm adaptors. If a 551 is installed, use 25 mm adaptors.
- 5** Use a twisting motion to push the side of the vacuum line that comes from the convolute onto the adaptor.
- 6** Attach the adaptor to the main top opening of the Y connector. Secure the adaptor to the Y connector with a connector clip.
- 7** Spread Loctite® 411™ around the lip on one of the remaining adaptors.
- 8** Use a twisting motion to push the remaining piece of vacuum line onto the adaptor.
- 9** Connect the vacuum line to the vacuum source.
- 10** Attach the adaptor to the lower opening of the Y connector. Secure the adaptor to the Y connector with a connector clip.
- 11** Push the saliva ejector tubing onto the 9 mm adaptor.
- 12** Attach the saliva ejector tubing adaptor to the side opening of the Y connector. Secure the adaptor to the Y connector with a connector clip.



Prepare and Connect the Tubing

Recommended Tools

- Diagonal cutters
- Sleeve pusher

1. Strip and remove three feet of the sheath from around the water bottle tubing.
2. Connect the tubing according to the flow diagram on the following page.



CAUTION Do not connect the blue tubing that comes from the floor box.



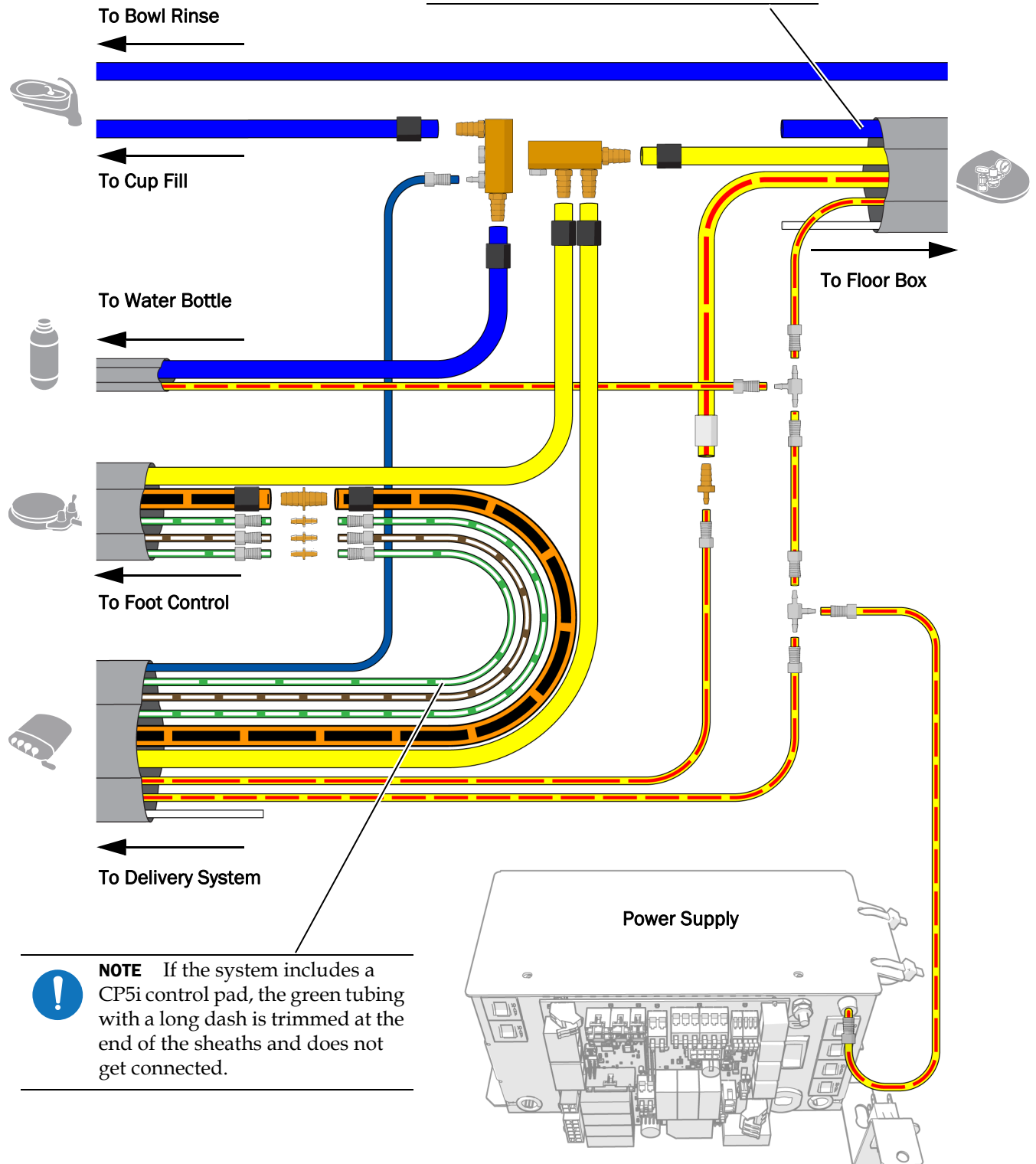
NOTE When installing the water manifold, be sure to connect to the barb on the end to prevent standing water in the manifold.



READ THIS! Be sure to position the control arm at its maximum height before trimming tubing to retain the full range of motion for the control head. For instructions on setting the control arm to its maximum height, see “Adjust the Control Head Height (A-dec 336 only)” on page 45.



NOTE Do not connect the blue or white tubing in the sheath.



Connect the Floor Box Utilities

Complete the connections for the system's configuration.

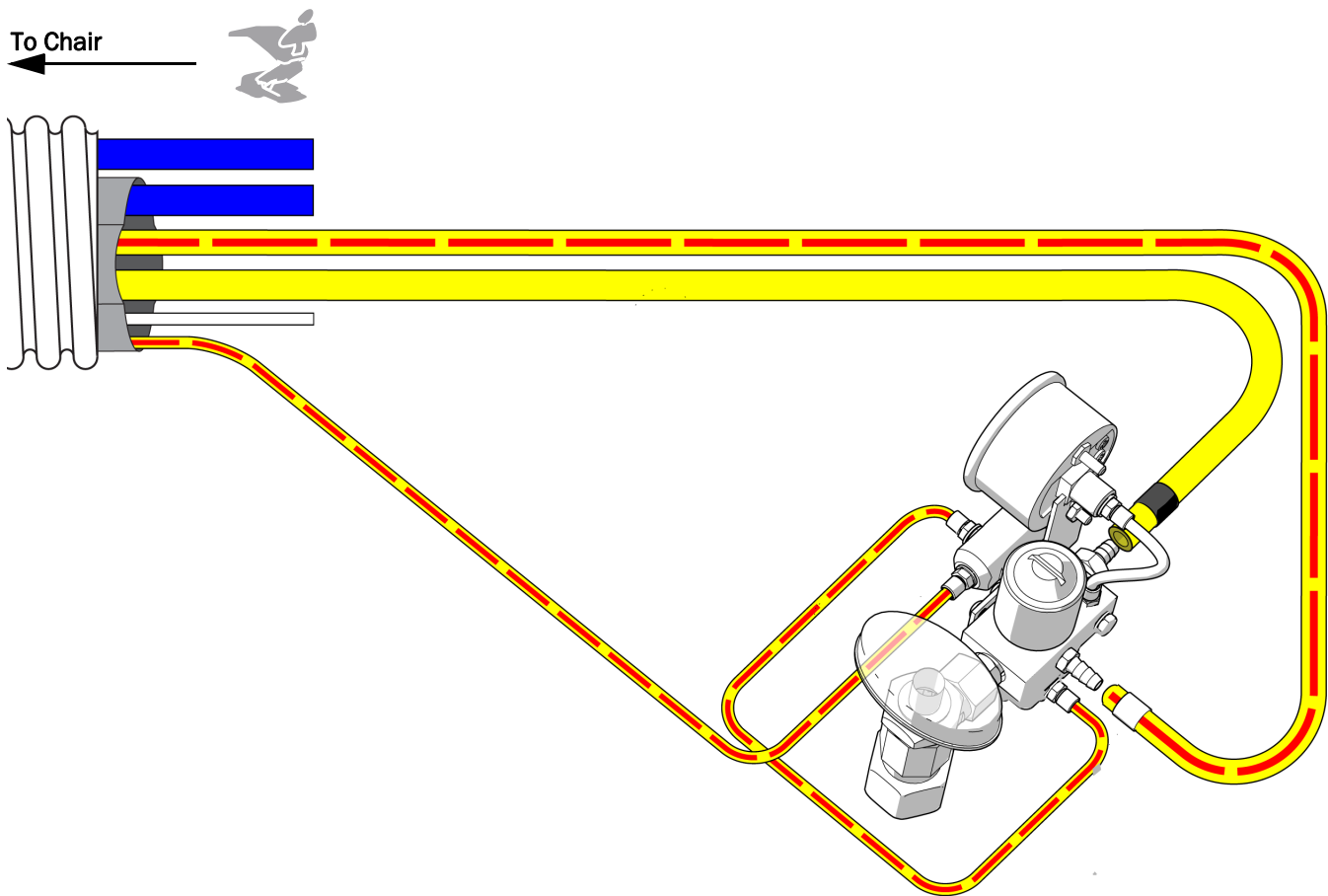
Connect a Delivery System Only	38
Connect a System with Multiple Modules	39

Connect a Delivery System Only

Use this diagram if the system does not include any other modules except a delivery system.

Recommended Tools

- Diagonal cutters
- Sleeve pusher

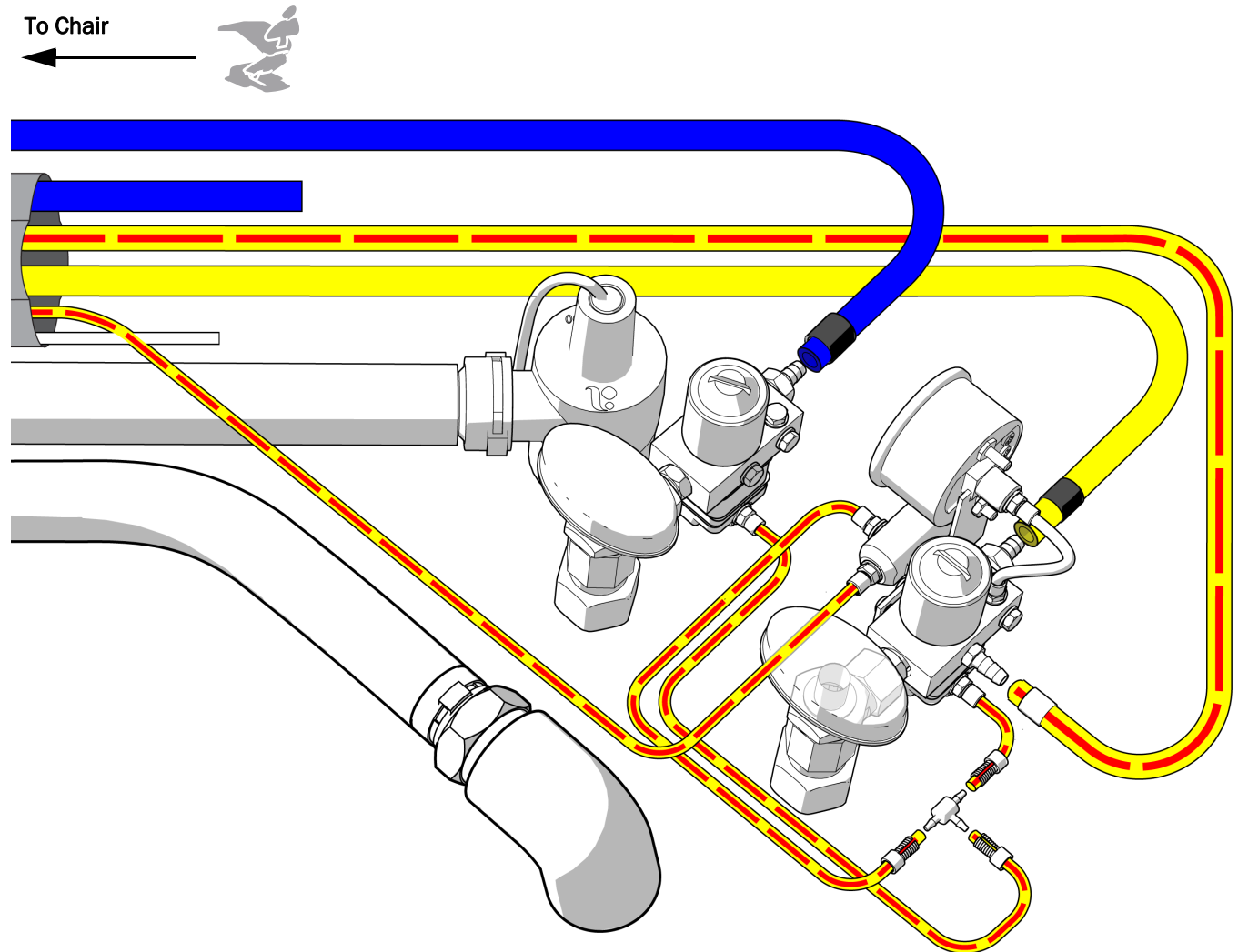


Connect a System with Multiple Modules

Use this diagram if the system includes any modules in addition to a delivery system.

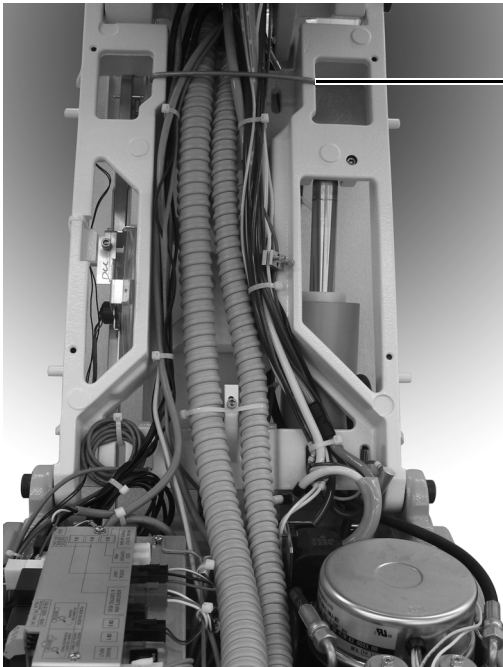
Recommended Tools

- Diagonal cutters
- Sleeve pusher



Prepare and Adjust the System

Secure the Tubing and Wires



- 1** Install the bail. It ships with the floor box kit.



CAUTION Do not secure the tubing to the lift arm. The tubing needs to move freely when the chair moves.

- 2** Use cable ties to group the tubing and wiring for a neat appearance.

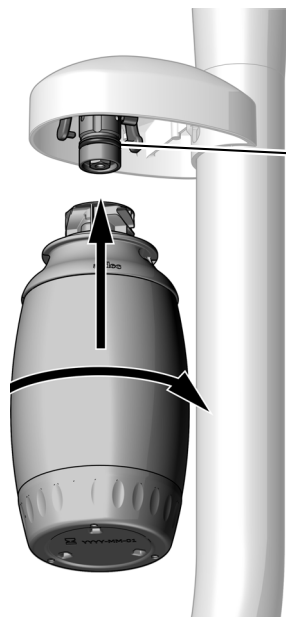


NOTE Once the tubing is connected and secured, set the control arm to the doctor's preferred height. For instructions, see "Adjust the Control Head Height (A-dec 336 only)" on page 45.

Install the Water Bottle



IMPORTANT A-dec recommends that the dental team perform a shock treatment on the dental unit waterlines before they use the system for the first time, and establish an ongoing waterline maintenance program. For more information, see the *Waterline Maintenance Guide* (p/n 85.0983.00) and *A-dec Self-Contained Water System Instructions For Use* (p/n 86.0609.00).



- 1** Apply A-dec silicone lubricant on the receptacle O-ring.
- 2** Push the water bottle up onto the water bottle receptacle and turn it to the right.

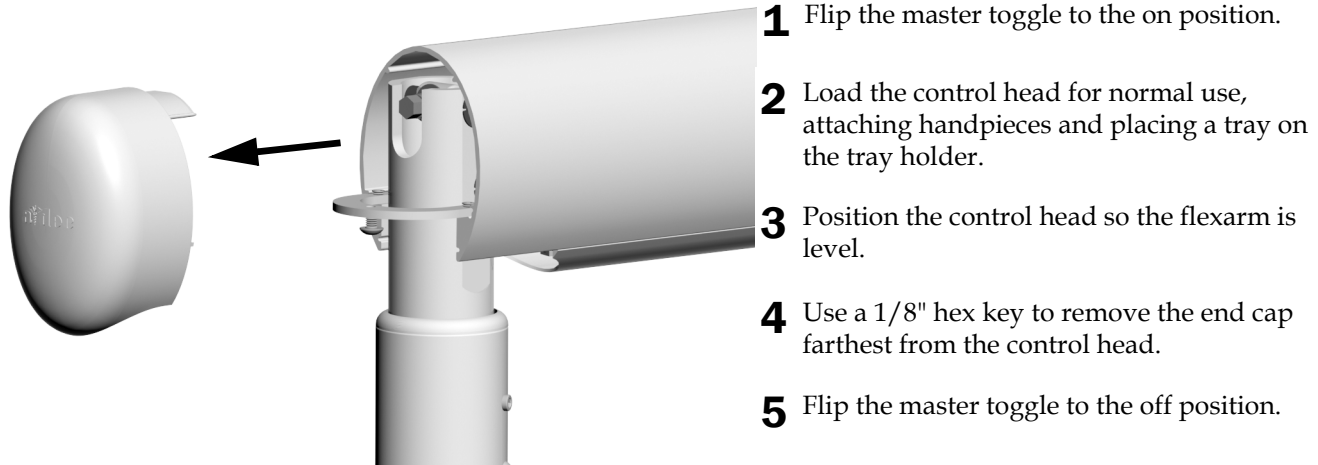
Adjust the Delivery System Spring-Assisted Flexarm

If the control head falls or rises rapidly when you turn off the master toggle, complete these steps to adjust the flexarm spring tension.

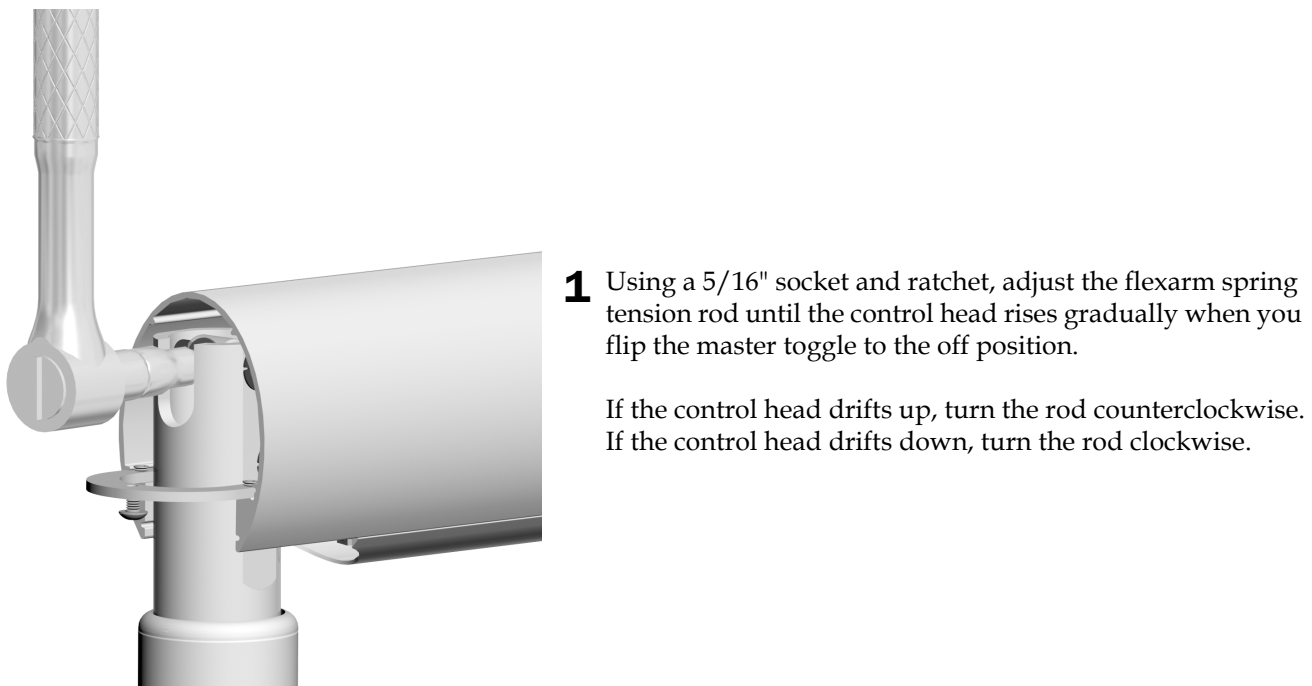
Recommended Tools

- 1/8" hex key
- 5/16" socket and ratchet

Task 1.



Task 2.



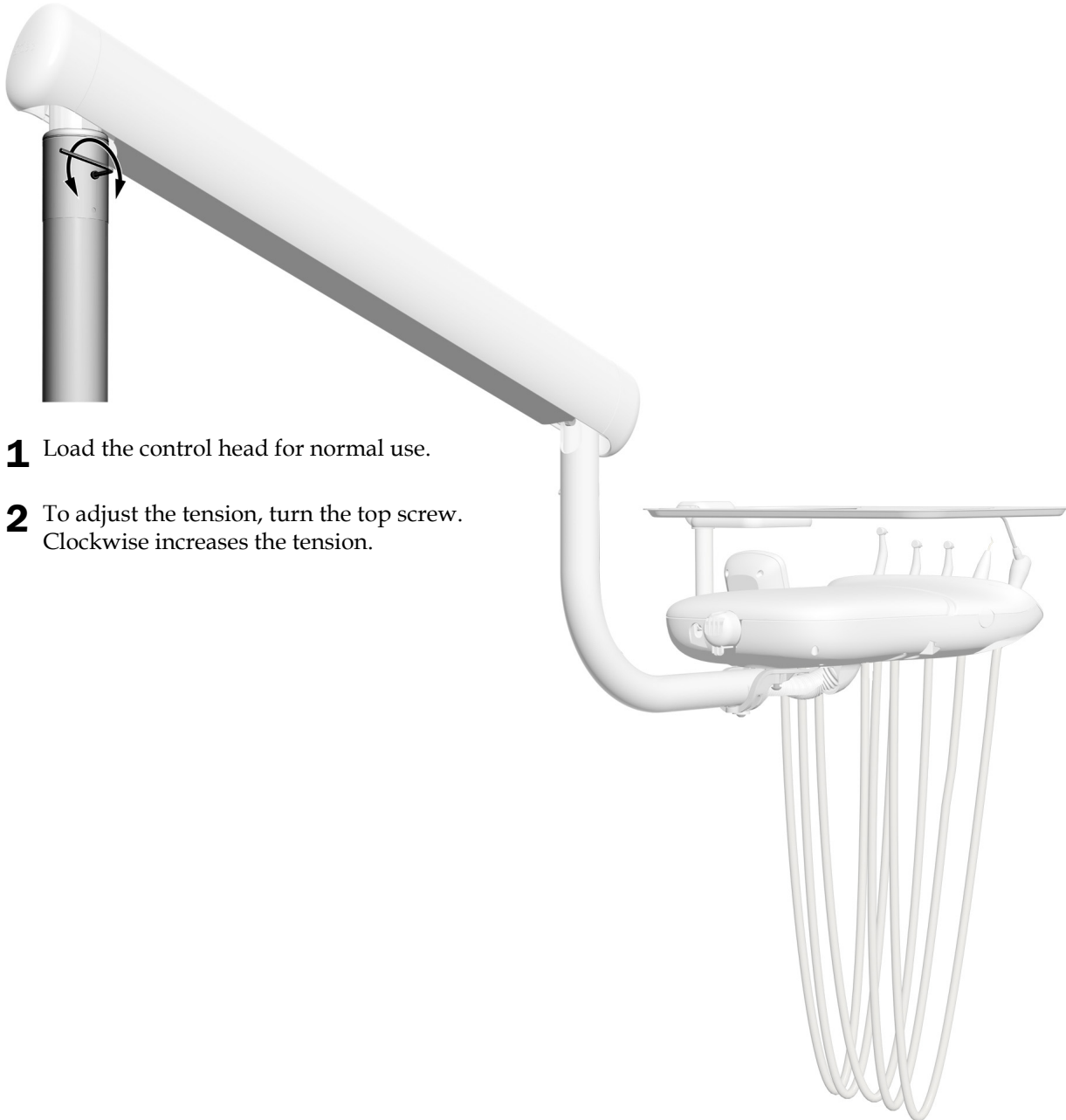
Adjust the Delivery System Flexarm Rotation Tension

If the delivery system flexarm drifts, complete the following steps to adjust the tension of the flexarm rotation.

Recommended Tool

- 1/8" hex key

If the delivery system arm drifts, complete the following steps to adjust the tension of the flexarm rotation.



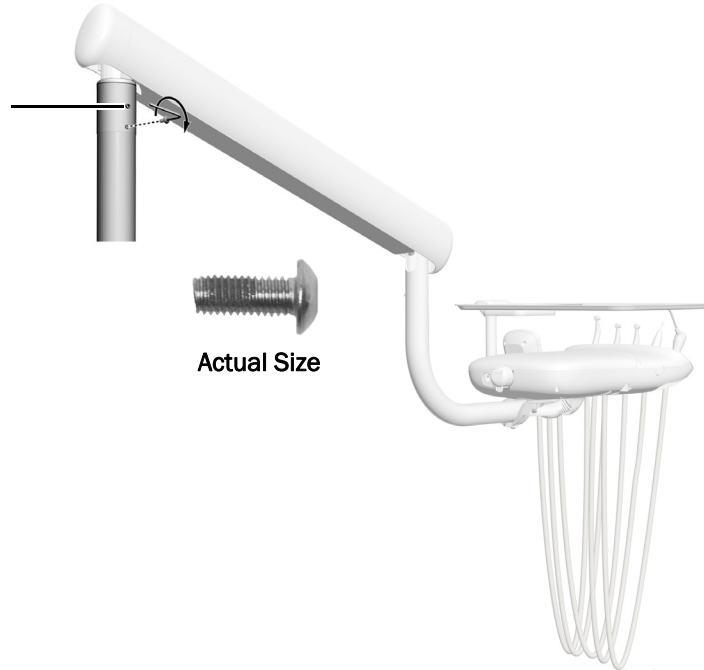
- 1** Load the control head for normal use.
- 2** To adjust the tension, turn the top screw. Clockwise increases the tension.

Install the Delivery System Flexarm Rotation Stop Screw

Recommended Tool

- 1/8" hex key

- 1** Install the 10-32 x 1/2" button head screw in the bottom hole.
Tighten it all the way down.

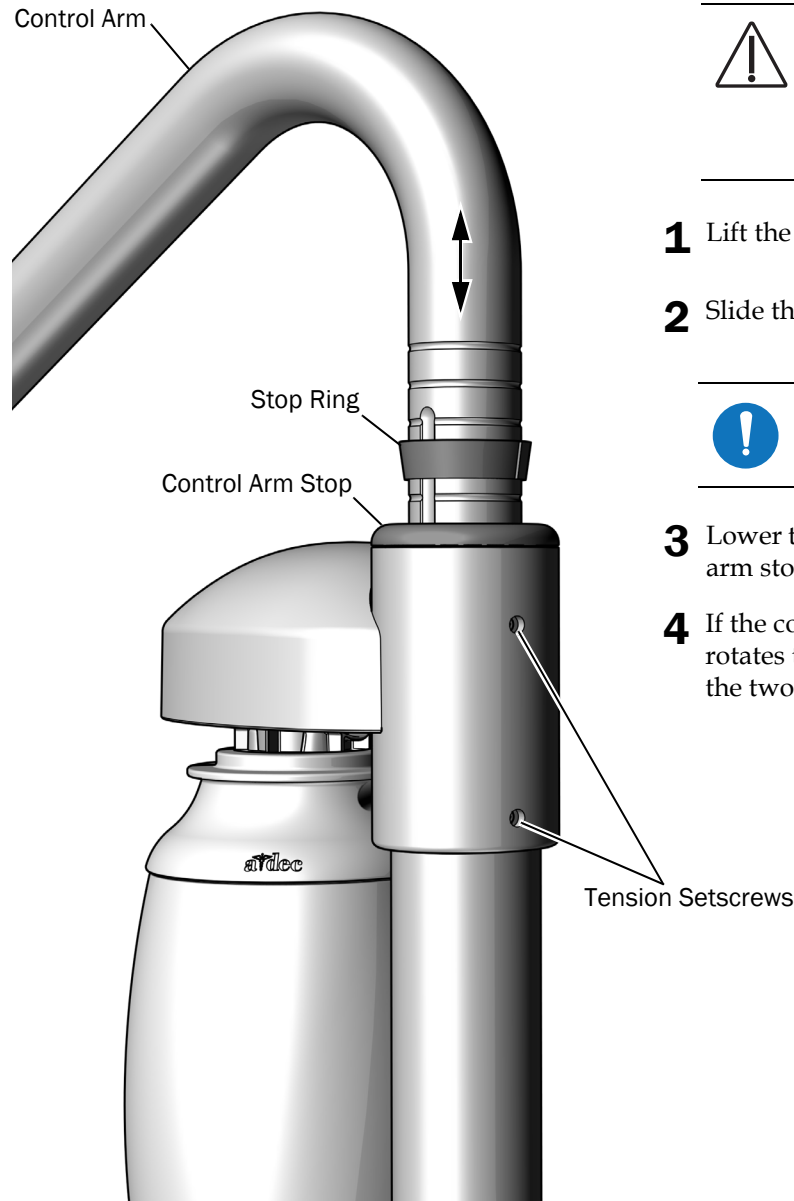


Adjust the Control Head Height (A-dec 336 only)

Check the height of the manual height adjustment delivery system. Use the following procedure if it needs to be adjusted.

Recommended Tool

- 3/32" hex key



CAUTION Do not raise the control arm more than five inches. If you do, the rotation stop pin can fall into the rigid arm and you will have to remove the arm to recover the rotation stop pin.

- 1** Lift the control arm.
- 2** Slide the stop ring to the desired height groove.



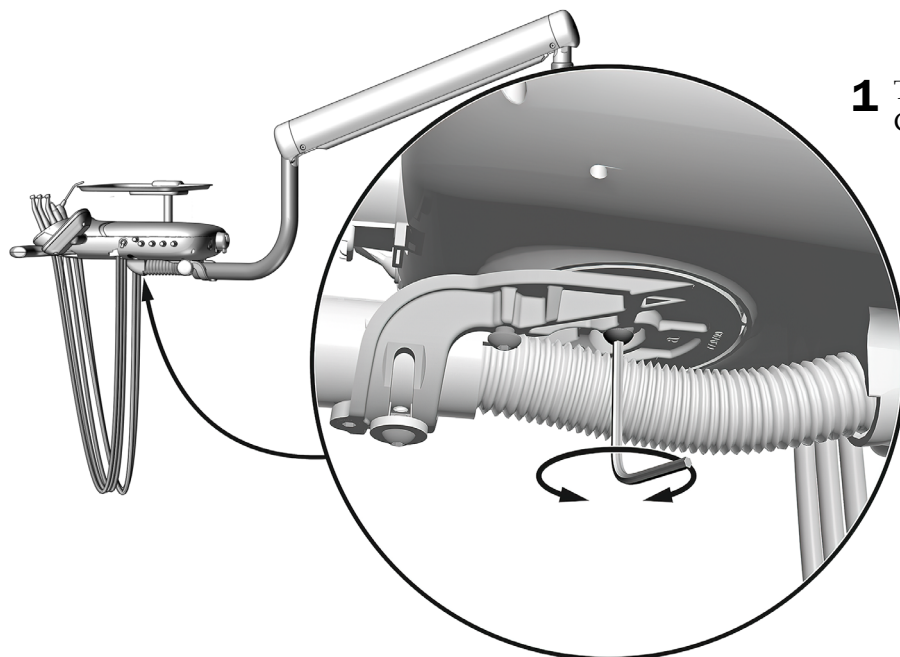
NOTE The height adjustment range for the control arm is 5" (127 mm).

- 3** Lower the control arm and stop ring into the control arm stop.
- 4** If the control arm is difficult to lift or rotate, or rotates too freely, use a hex key to loosen or tighten the two tension setscrews.

Adjust the Control Head Rotation Tension

Recommended Tool

- 5/32" hex key



- 1** To adjust the tension, turn the screw. Clockwise increases the tension.

Adjust the Tray Holder Mount Rotation Tension

Recommended Tool

- Phillips head screwdriver
- 7/32" hex key

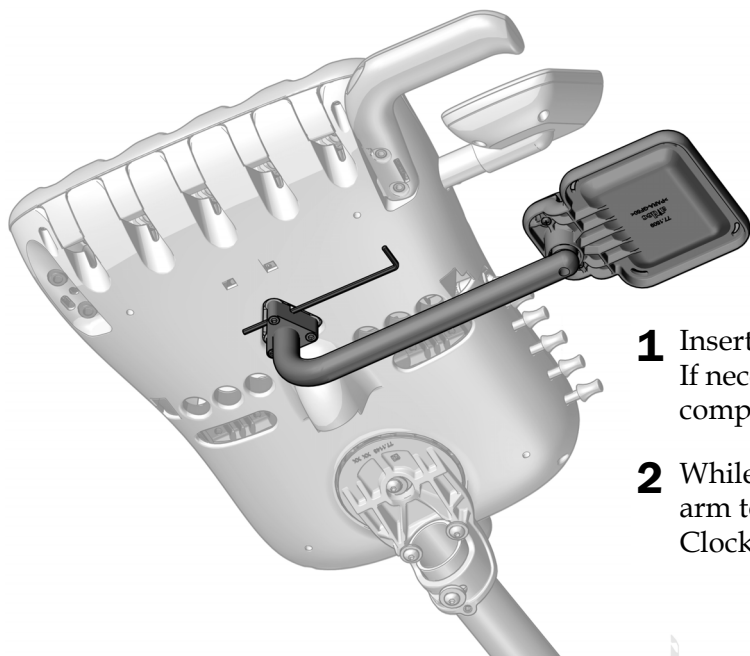


- 1** Use a Phillips head screwdriver to remove the cap screws. Remove the cap.
- 2** Insert the hex key into the tension bolt and turn clockwise to increase the tension.

Adjust the Tray Holder Mount Arm Rotation Tension (Continental only)

Recommended Tool

- 9/64" hex key



- 1** Insert the hex key through the mounting bracket. If necessary, rotate the arm until the hex key slides completely into the mounting bracket.
- 2** While holding the bracket stationary, turn the arm to adjust the tension. Clockwise increases the tension.

Adjust the Intraoral Light Source Voltage

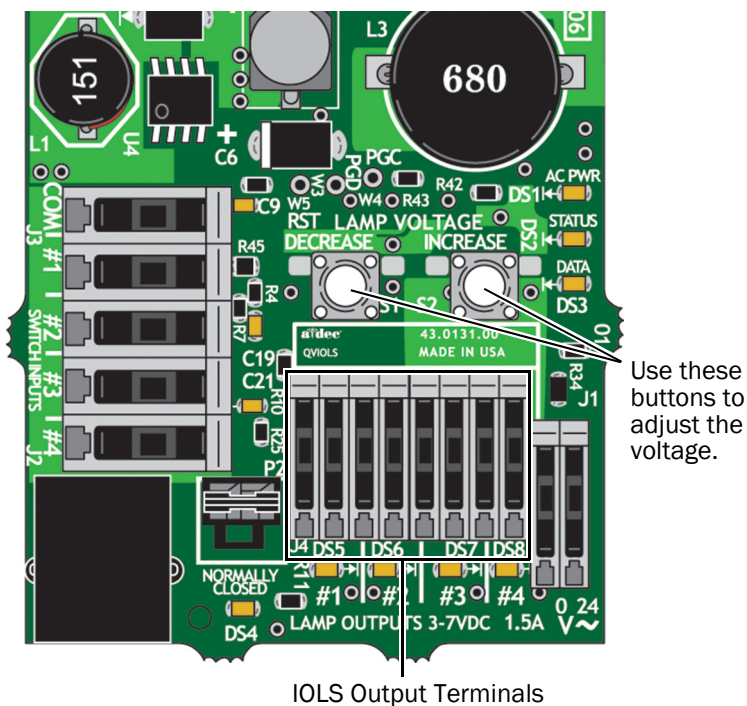
Recommended Tools

- 7/64" hex key
- Voltmeter



ATTENTION Circuit boards are sensitive to static electricity. Electrostatic Discharge (ESD) precautions are required when touching a circuit board or making connections to or from the circuit board. Circuit boards should be installed only by an electrician or qualified service person.

1. Use a 7/64" hex key to remove the control head back cover.
2. Set the voltmeter to DC voltage and place its probes on the IOLS output terminals for the handpiece you're adjusting.



3. Lift the handpiece from its holder and turn the light on.
4. Use the buttons behind the terminal to adjust the voltage according to the Table on page 49.



CAUTION The values in the following table are valid only for fiber optics with 26 AWG wires. For fiber optics powered with 30 AWG wires and other ratings, use the equation $T = (Z \times 0.006 \times Y) + X$ where:

T = Terminal strip voltage (VDC)

X = Desired voltage at bulb (VDC)

Y = Rated lamp/load current (Amps)

Z = Length of 30 AWG wire (inches) from terminal strip to bulb

For devices with a wire gauge other than 26 AWG, please contact A-dec Customer Service.

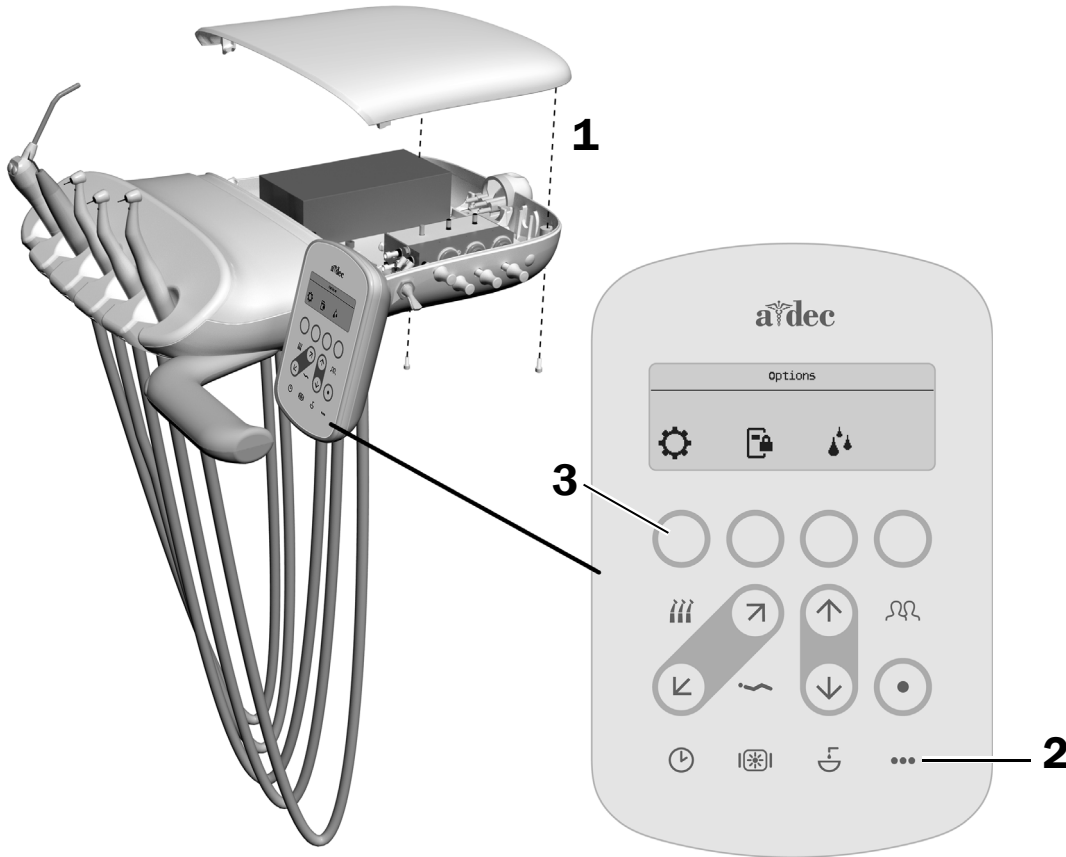
Length and Voltage Table for Bulbs Rated at 3.20 VDC				
A-dec Tubing Length		Voltage at terminal strip resulting in recommended 3.20 VDC +/- 0.03 bulb voltage (measure with IOLS on)		
		0.200 A	0.380 A	0.750 A
(in)	(cm)			
50	127	3.37	3.52	3.84
64	163	3.42	3.61	4.02
85	216	3.49	3.75	4.28

Adjust the Handpiece Drive Air Pressure

Recommended Tools

- 7/64" hex key

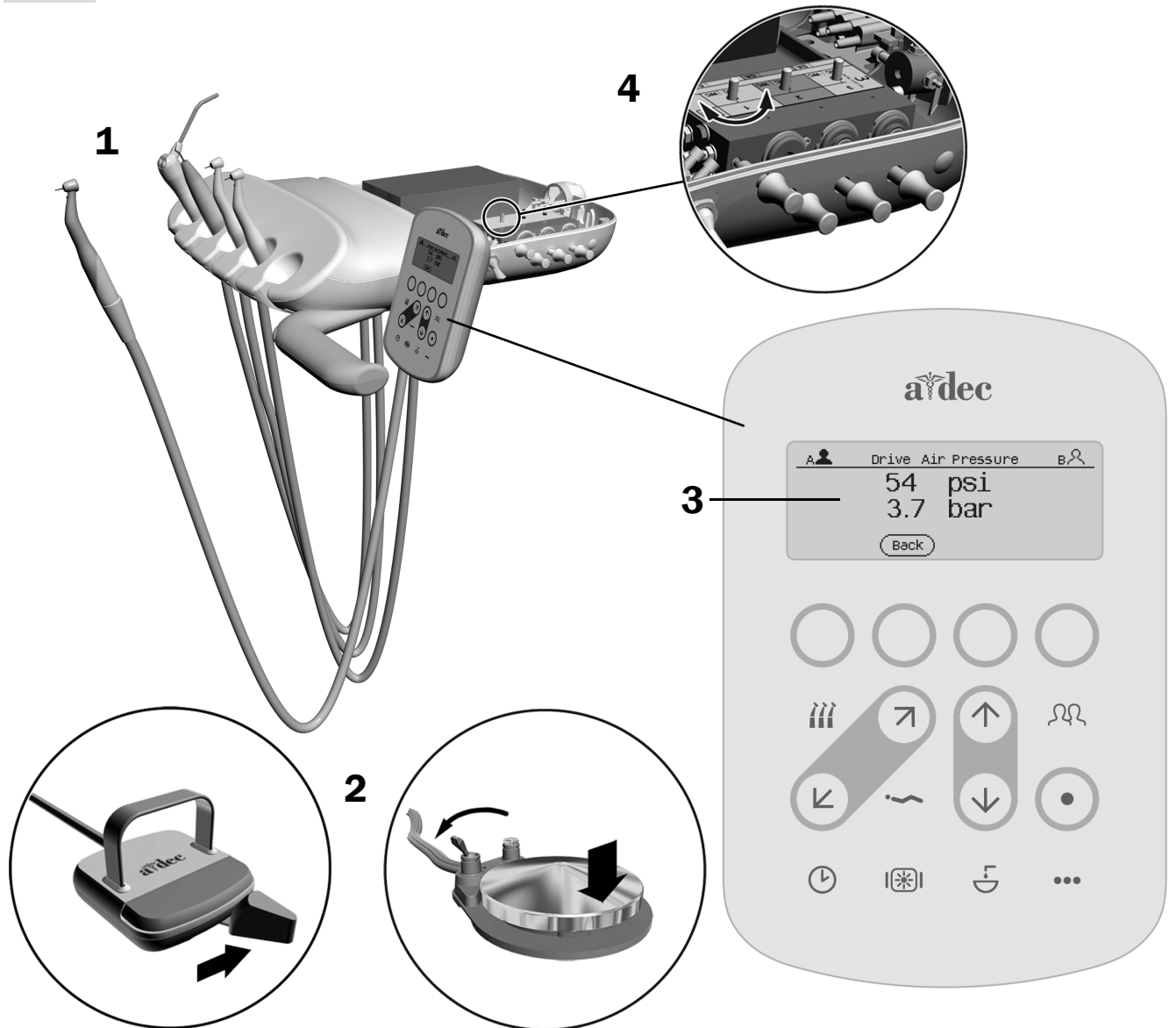
Task 1.



NOTE Drive air pressure may be lower at the handpiece than what is shown on the touch control. Pressure can also be measured with a handpiece pressure gauge.

1. Use a hex key to remove the control head cover screws. Remove the cover and locate the drive air pressure controls inside.
2. On the control pad, press ●●● to access the **Options** menu.
3. Press the soft key under the ⚙ icon.
4. Select **Diagnostics**.
5. Scroll down and select **Drive Air Pressure**.

Task 2.



1. Withdraw a handpiece.
2. Turn off the water coolant and press the foot control or move the lever until the handpiece is running at full speed.
3. Check the control pad screen to see the pressure reading.



CAUTION Exceeding the manufacturer’s recommended drive air pressure increases the risk of damage and may significantly decrease the life of your handpiece components. For the proper drive air pressure, see the handpiece manufacturer’s Instructions for Use.

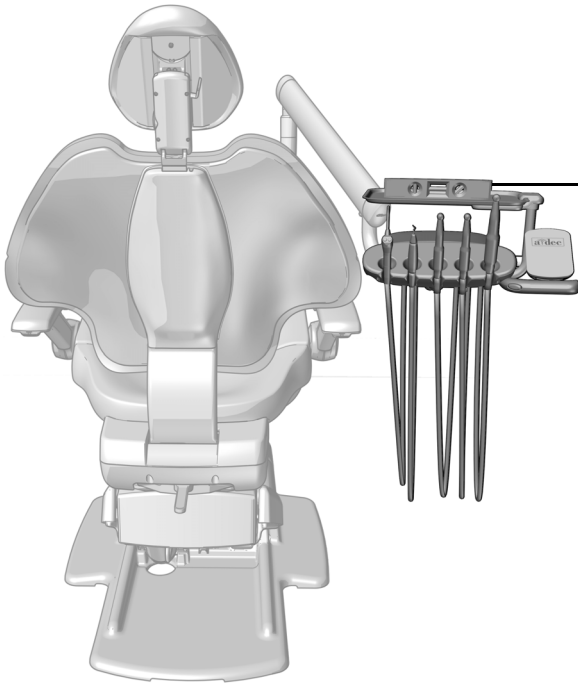
4. Adjust the pressure to meet the manufacturer’s specifications. Turn the stem clockwise to decrease pressure.

Level the Control Head

Recommended Tools

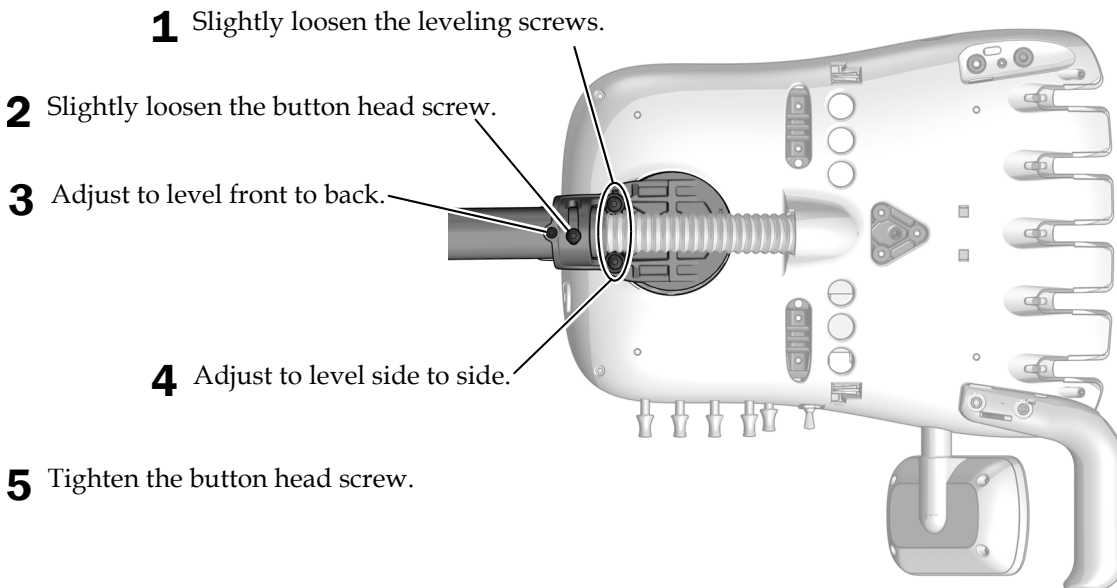
- 5/32" hex key
- Level

Task 1.



- 1** With the control head in the normal working position, turn it so it faces straight out from the flexarm.
- 2** Place a level on the tray holder or on top of the control head.

Task 2.



Customize Touch Control and Handpiece Settings

See the section for the type of control interface on your system.



NOTE Touch control symbols and icons are proprietary to A-dec, Inc.

CP5i/CP5 Control Pads



For touchscreen and control pad use, see the *A-dec DS7/CP5i/CP5 Touch Controls Instructions for Use* (p/n 86.0857.00) at a-dec.com/touchscreen-manual.



For configuring connectivity features, see the *A-dec+™ Software Platform Instructions for Use* (p/n 86.1030.00) at a-dec.com/connectivity-manual.



Test the System

Complete the following checklist to test the system, then follow up with the customer.

Delivery System

- The handpieces function properly and are set to doctor's preferences:
 - Water coolant, air coolant, and spray.
 - Handpiece tubing flush.
 - Handpiece holder valves and switches.
 - Handpiece drive air pressure.
- Spring-assisted flexarm is counter-balanced properly.
- Rotation stop pin is installed and functioning properly.
- Flexarm air brake functions properly.
- Height of manual adjustment arm and rotation tension is set.
- Control head is level as measured on tray.
- Articulating arms do not drift.
- Foot control operates properly.

Utilities

- Regulated air pressure is at 80 psi (552 kPa).
- Floor box is free of air and water leaks.
- Tubing and connections are not kinked and are free of air and water leaks.
- Excess tubing and wires are coiled and stored away from moving parts.

Regulatory Information and Warranty

For required regulatory information and the A-dec warranty, see the *Regulatory Information, Specifications, and Warranty* document (p/n 86.0221.00) available in the Resource Center at www.a-dec.com.



For quick access to this document online, scan, tap, or click this QR code, which points to a-dec.com/regulatory-guide.

Loctite and Loctite 411 are trademarks or registered trademarks of Henkel IP & Holding GmbH in the United States and may be trademarks or registered trademarks in other countries. All other trademarks cited herein are registered trademarks or trademarks of A-dec, Inc. in the United States and may also be trademarks or registered trademarks in other countries.



A-dec Headquarters

2601 Crestview Drive
Newberg, OR 97132 USA
Tel: 1.800.547.1883 Within USA/CAN
Tel: +1.503.538.7478 Outside USA/CAN
www.a-dec.com

A-dec, Inc. makes no warranty of any kind with regard to the content in this document including, but not limited to, the implied warranties of merchantability and fitness for a particular purpose.



86.1018.00 Rev D
Date of Issue 2023-11-06
Copyright 2023 A-dec, Inc.
All rights reserved.
IGrphpor23