



# A-dec Inspire<sup>®</sup> 395 Wall-Mounted Cabinet

## INSTALLATION GUIDE

### Contents

Before You Begin .....	2
Unpack the Cabinet .....	3
Install the Cabinet .....	4
Anchor the Cabinet .....	7
Prepare the Cabinet ....	16
Test the Cabinet .....	20
Regulatory Information and Warranty .....	20

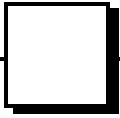


A-dec Inspire 395 - 42" Treatment Cabinet

### Product Models and Versions Covered in this Document\*

Model	Versions	Description
395	A	Dental Furniture

\*Some product models, versions, and options in this document may not be available in certain regions.



## Before You Begin

---

- Clear the room of all debris and thoroughly clean the floors.
- Check with local building and code authorities about installation requirements specific to your location.

### Recommended Tools

- Two-foot level
- Hammer
- 7/16" socket and ratchet
- Tape measure
- Drill
- #2 Pozidriv® screwdriver
- Pencil
- 1/4" and 1/2" drill bits
- Stud finder
- Cable snake

### Important Information



**NOTE** Information that is critical to a successful and safe installation is shaded like this note throughout the guide.

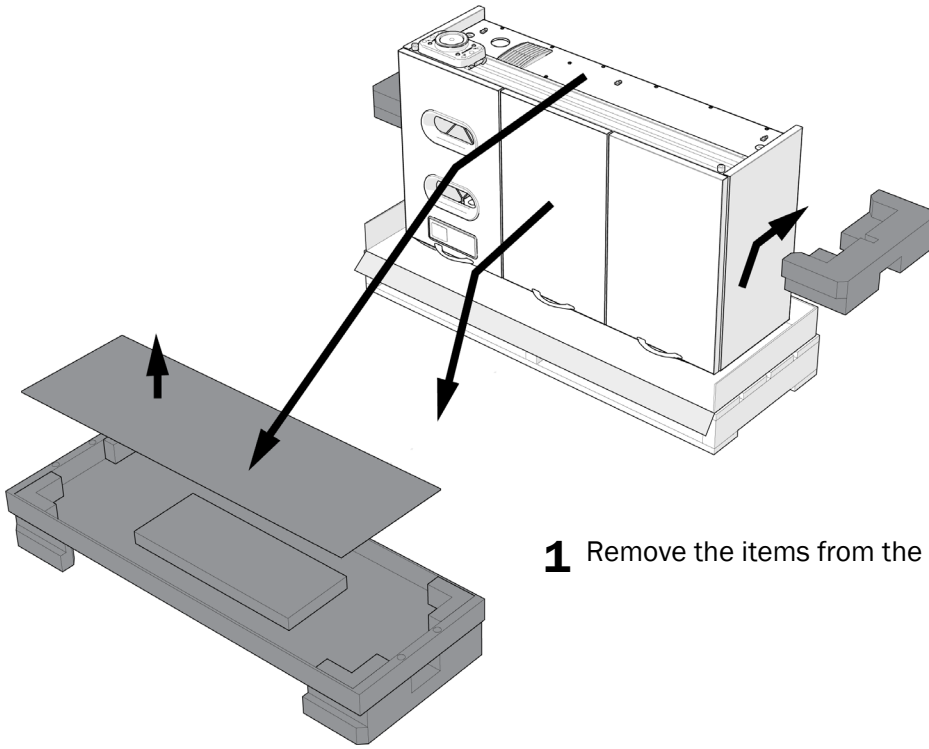
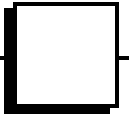


**WARNING** Failure to install the cabinet as described in this installation guide may cause the cabinet(s) to collapse, resulting in serious injury to personnel.

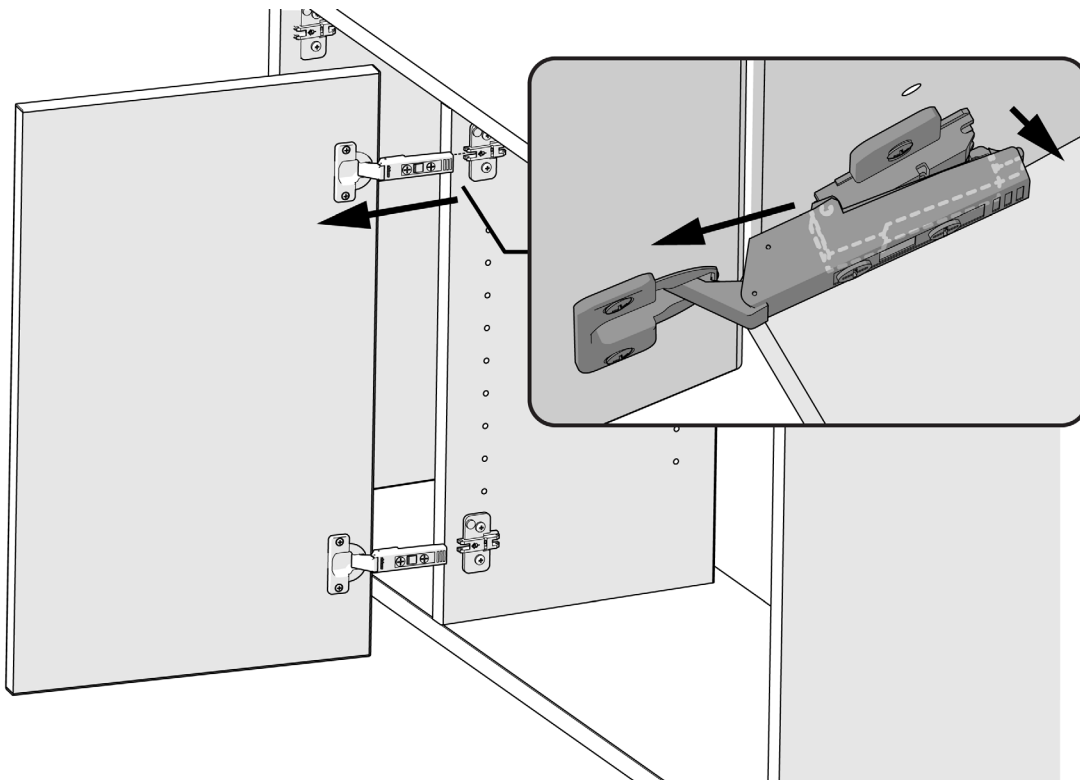


**WARNING** Two people should install this cabinet to avoid personal injury.

# Unpack the Cabinet



**1** Remove the items from the cabinet and pallet.



**2** Pull up at the back of the hinge to remove the doors.

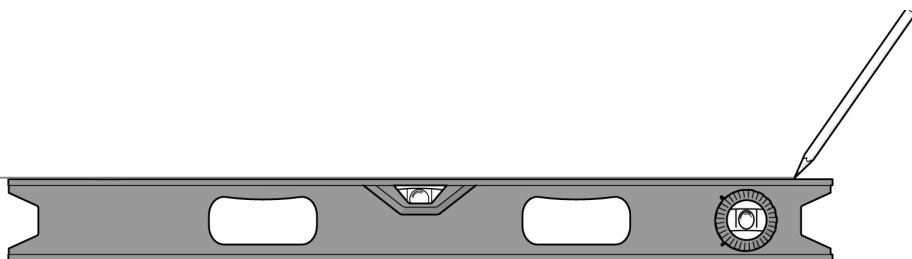


## Install the Cabinet

### Recommended Tools

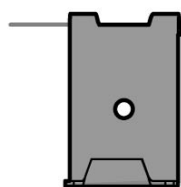
- Two-foot Level
- Pencil
- Tape measure
- Hammer

72" (183 cm) From the Floor



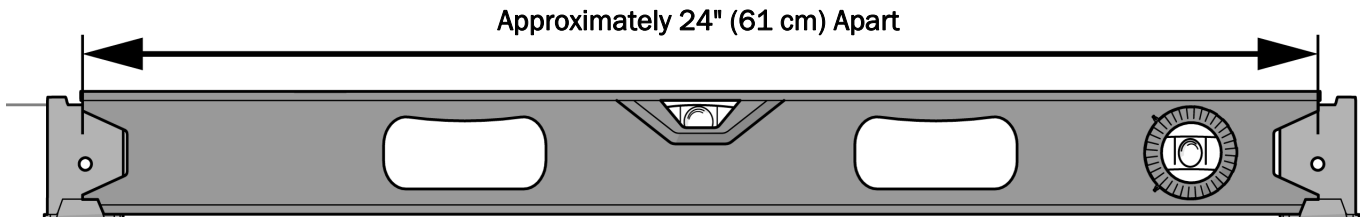
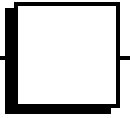
- 1** At 72" from the floor, use a two-foot level and pencil to mark a line.

6" (15 cm) Down  
From Top Line



Setup Hanger

- 2** Approximately 9" (23 cm) from the left side where the cabinet will be placed, mark a line 6" (15 cm) down from the first line.
- 3** Align the top of the first setup hanger with the new mark and hammer the hanger into the wall.

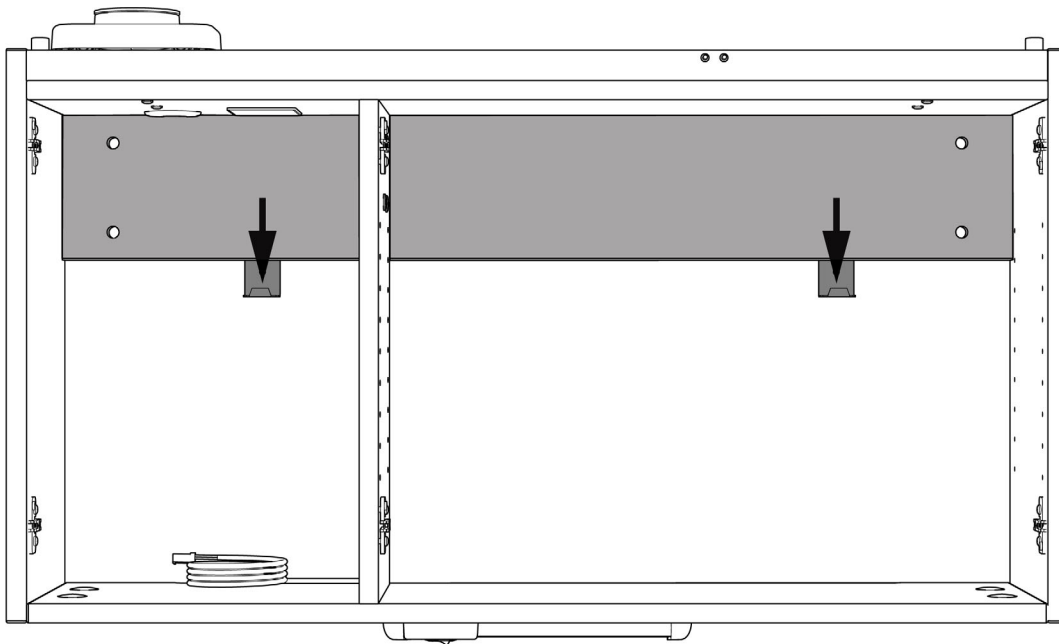


- 4** Approximately 24" away from the first setup hanger, use a level to position a second setup hanger in line vertically with the first hanger.



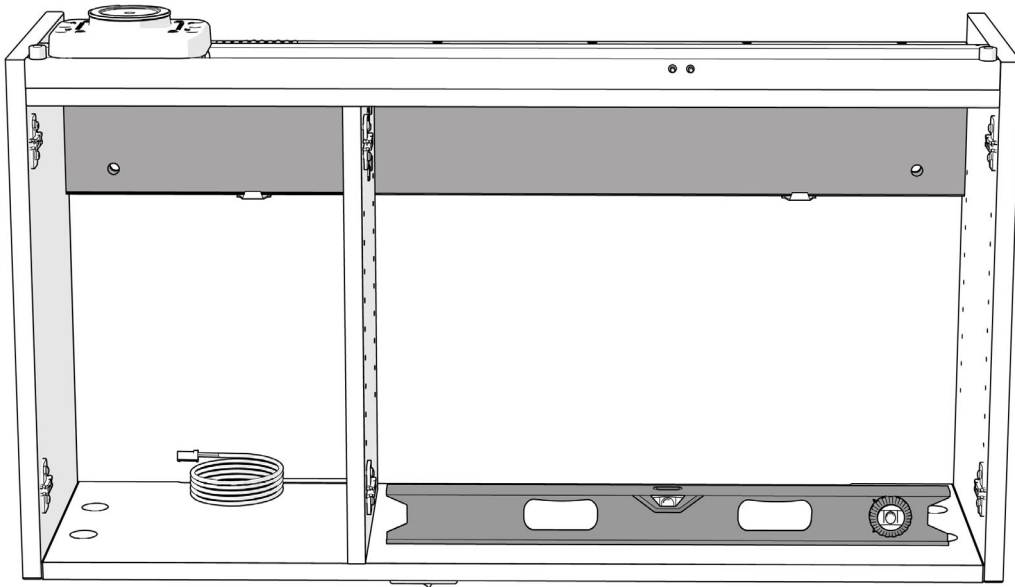
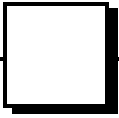
**NOTE** The distance between the setup hangers is approximate. If the second setup hanger is over a stud, you can move it to the left or right of the stud.

- 5** Hammer the second setup hanger into the wall.

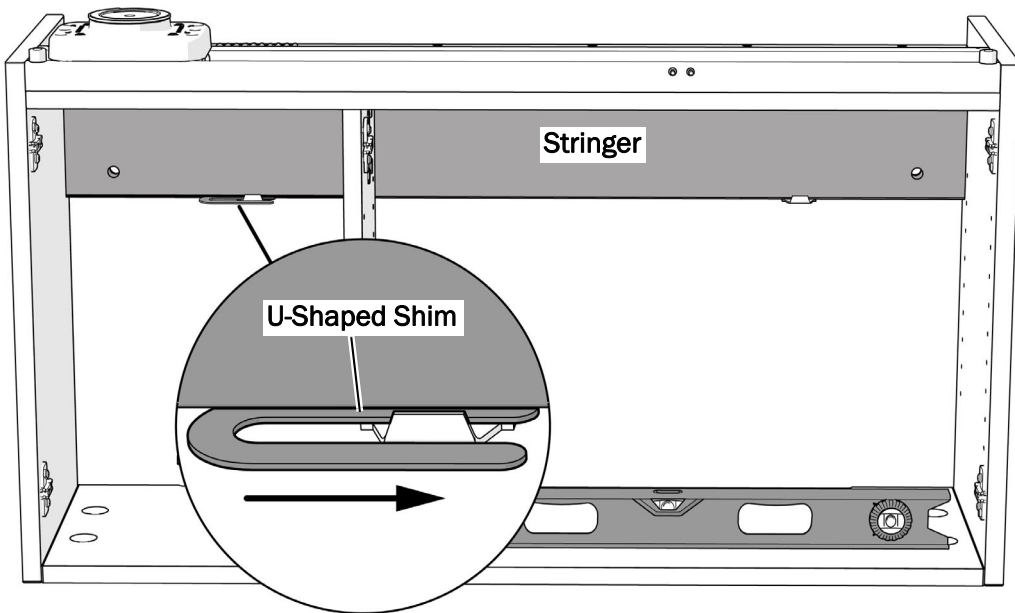


**CAUTION** Be sure to complete all of the steps for installing the cabinet. Setup hangers are not intended to be the sole support of the cabinet.

- 6** Place the cabinet onto the setup hangers.

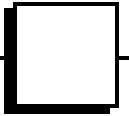


**7** Place a two-foot level inside the cabinet to check level.



**8** To adjust level, insert U-shaped shims between the setup hanger and the cabinet stringer on the lower end of the cabinet.

## Anchor the Cabinet

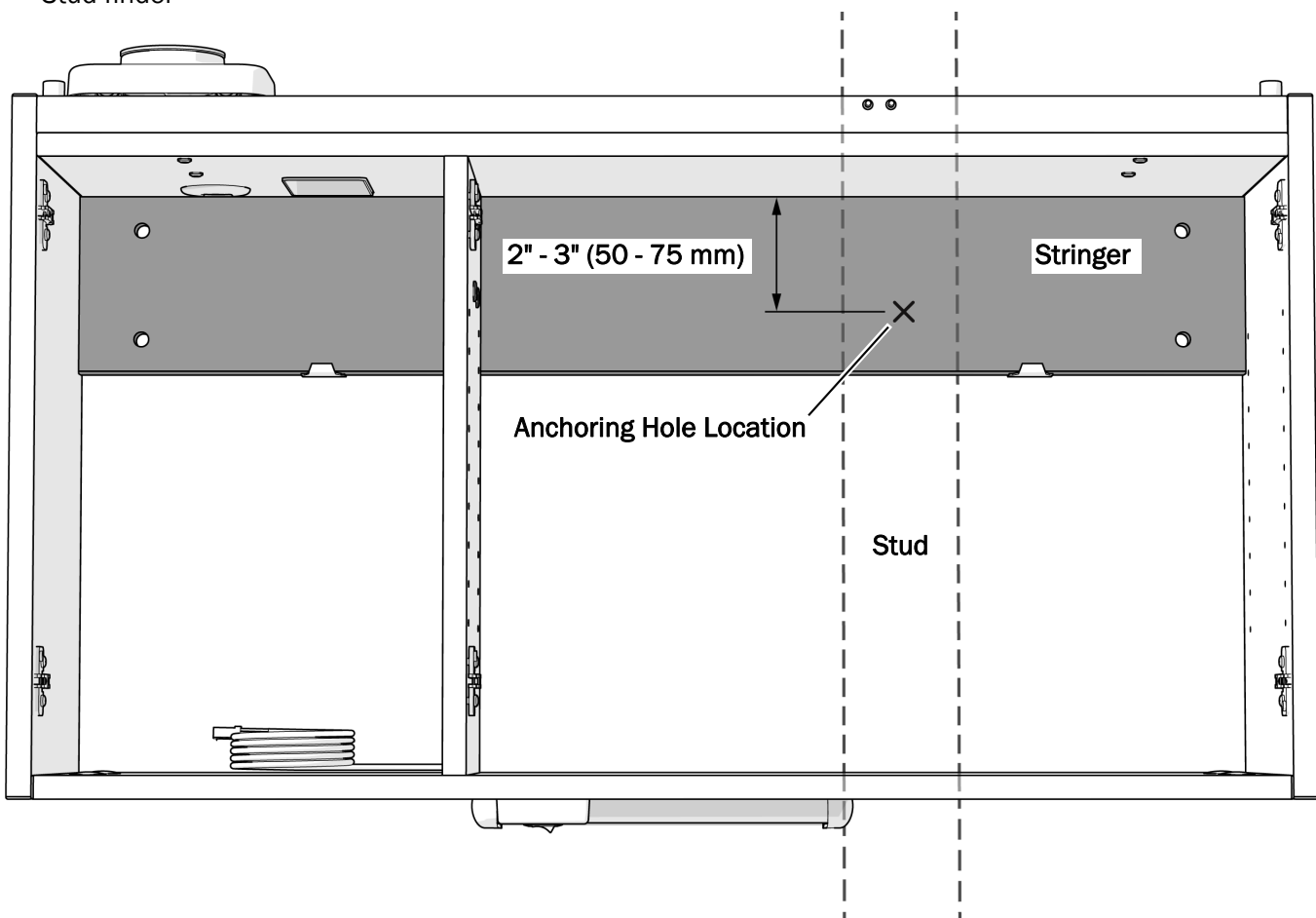


**READ THIS!** A minimum of five anchors are required to secure the cabinet, four into drywall and one into a stud. Anchoring and structural needs may differ depending on the seismic requirements for the installation. Consult A-dec Customer Service for additional details.

### Prepare a Hole to Anchor into a Stud

#### Recommended Tools

- Tape measure
- Pencil
- Stud finder

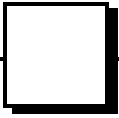


- 1 From inside the cabinet, locate a stud to use to anchor the cabinet.



**CAUTION** The hole for anchoring the cabinet needs to be a minimum of 1-1/2" (4 cm) down from the top of the cabinet to not interfere with the cabinet's fasteners.

- 2 Approximately 2"-3" (50 - 75 mm) down from the top of the cabinet, mark the location of the stud on the stringer.



## Secure the Cabinet to a Stud

Complete the instructions for the wall's type of stud.

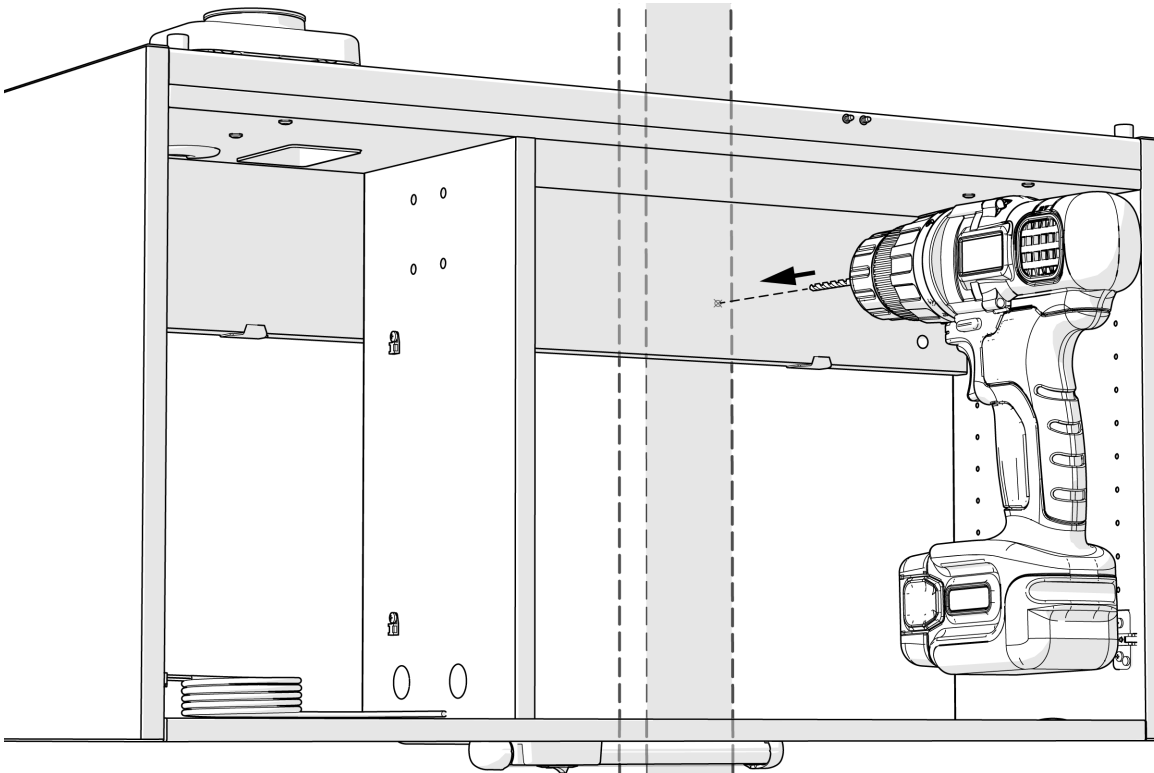
**Secure the Cabinet into a Wood Stud . . . . . 8**

**Secure the Cabinet into a Metal Stud . . . . . 10**

### Secure the Cabinet into a Wood Stud

#### Recommended Tools

- Drill
- 1/4" drill bit
- 7/16" socket and ratchet



**1** Use a 1/4" drill bit to drill a hole where you marked the stringer. Drill through the stringer, but not into the stud. Pre-drilling the stud is not required.

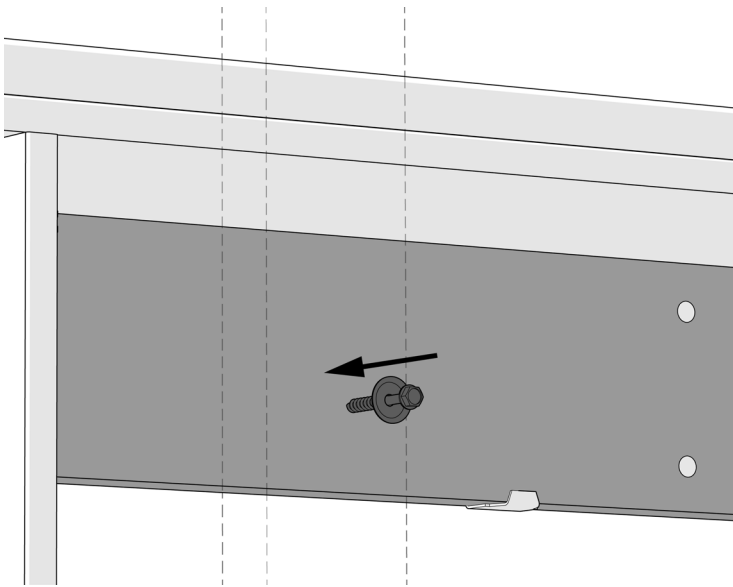
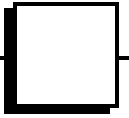


5/16 x 4" Lag Bolt Actual Size

Flange Washer

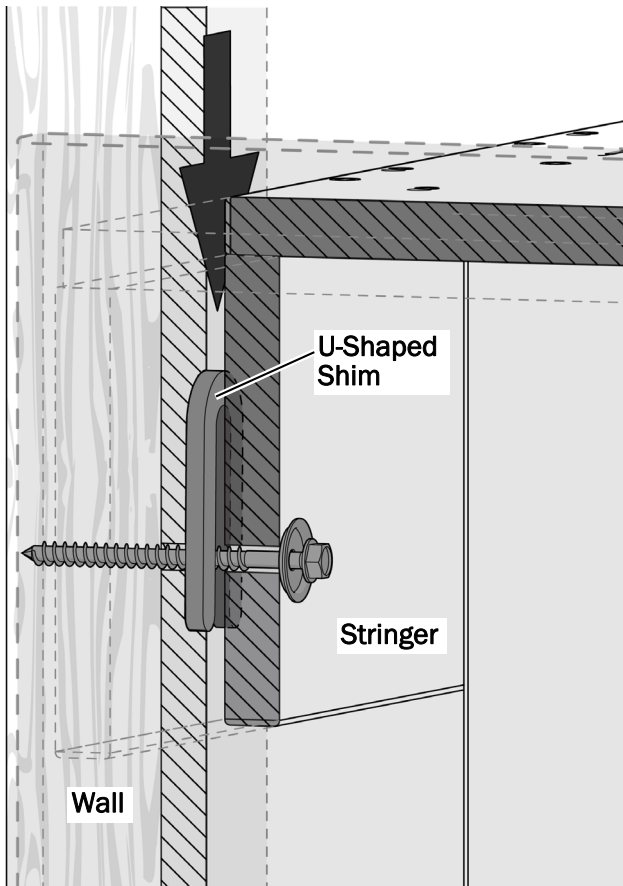
**2** Install a flange washer on the 5/16 x 4" lag bolt.





**CAUTION** Do not overtighten the lag bolt or you may damage the stringer.

- 3** Insert the lag bolt and washer through the hole then use a 7/16" socket and ratchet to lightly tighten the bolt until the sides of the cabinet touch the wall.



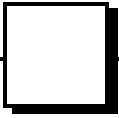
**CAUTION** Install shims over the bolt securing the cabinet to a stud to prevent damage to the stringer when tightening the bolt.

- 4** Between the back of the cabinet and the wall, place U-shaped shims over the bolt until you fill the gap between the wall and stringer.



**NOTE** The gap between the stringer and the end of the cabinet's side is 1/4" (6 mm).

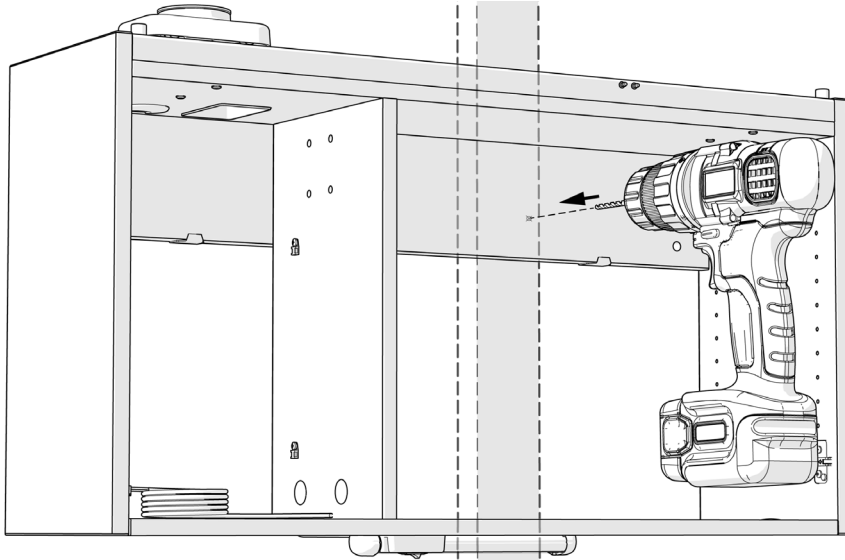
- 5** Use a 7/16" socket and ratchet to fully tighten the lag bolt.



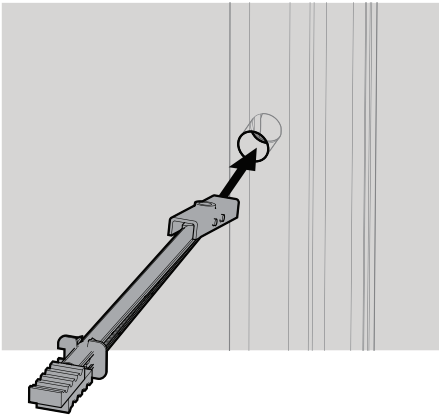
## Secure the Cabinet into a Metal Stud

### Recommended Tools

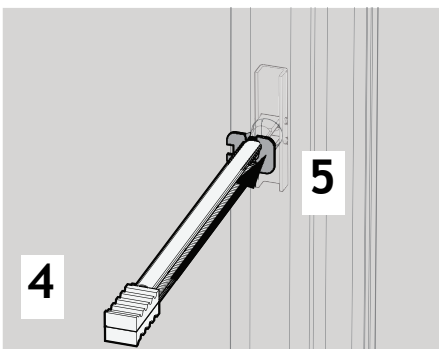
- Drill
- 1/2" drill bit
- 7/16" socket and ratchet



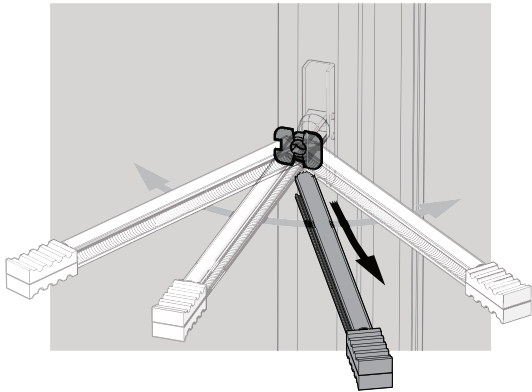
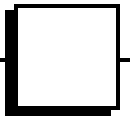
- 1** Use a 1/2" drill bit to drill a hole through where you marked the stringer. Drill through the stringer and the metal stud.



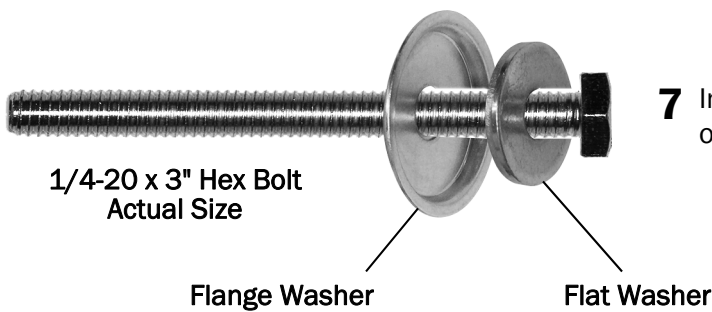
- 2** Hold the metal catch of the toggle anchor flat against the plastic strap.
- 3** Push the catch fully through the hole in the wall and stud.



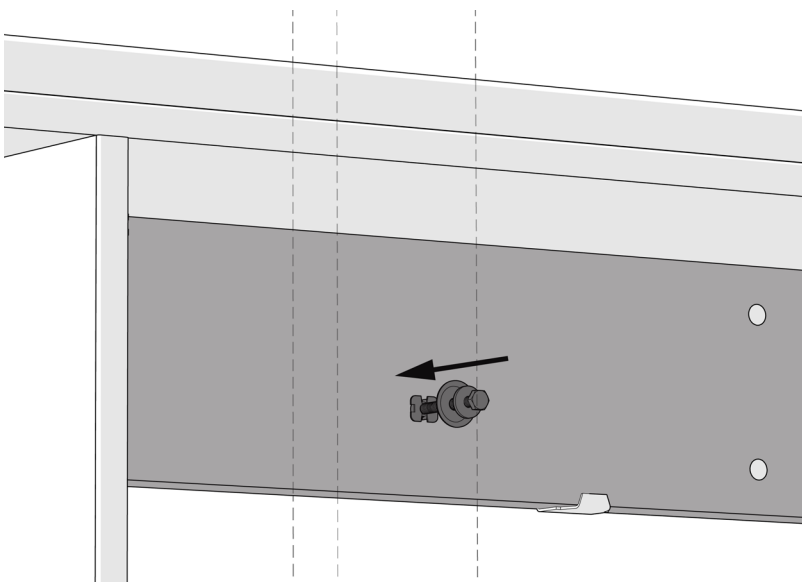
- 4** Pull the handle of the toggle anchor straight out.
- 5** Slide the plastic cap down the plastic strap until the cap is flush with the wall.



**6** Rock the strap side to side, snapping it off at the wall.



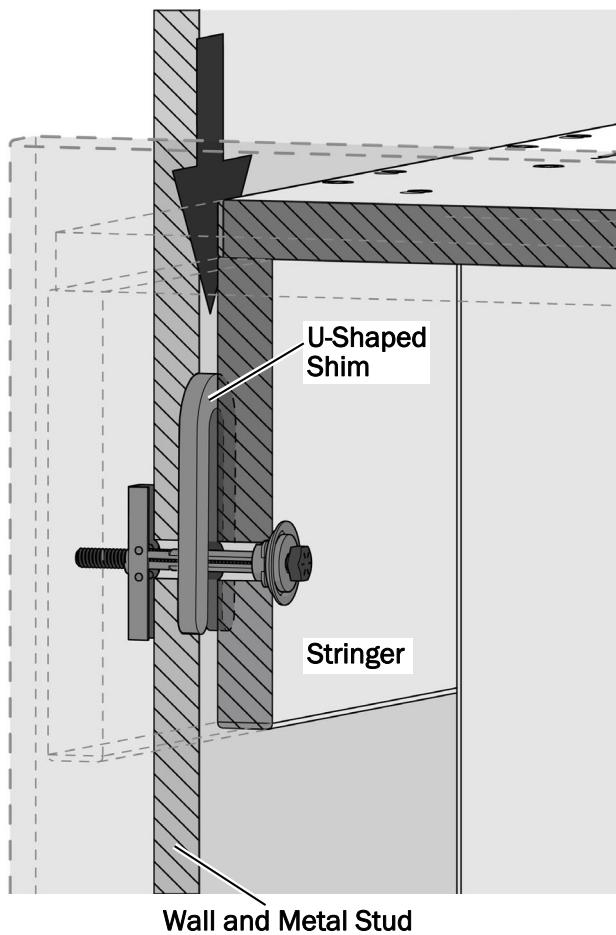
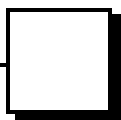
**7** Install the flat washer and flange washer on a 1/4-20 x 3" hex bolt.



**CAUTION** To prevent stripping the bolt, begin its installation by hand.

**8** Insert the 1/4-20 x 3" hex bolt and washers into the hole in the toggle bolt and start its installation by hand.

**9** Use a 7/16" socket and ratchet to lightly tighten the bolt until the sides of the cabinet touch the wall.



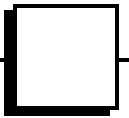
**CAUTION** Install shims over the bolt securing the cabinet to a stud to prevent damage to the stringer when tightening the bolt.

- 10** Between the back of the cabinet and the wall, place U-shaped shims over the bolt until you fill the gap between the wall and stringer.



**NOTE** The gap between the stringer and the end of the cabinet's side is 1/4" (6 mm).

- 11** Use a 7/16" socket and ratchet to fully tighten the hex bolt.



## Secure the Cabinet to the Wall

Depending on the cabinet's location, the four pre-drilled holes in the stringer may be in front of a stud or just the wall. Complete the instructions for each hole for what the fastener will secure into:

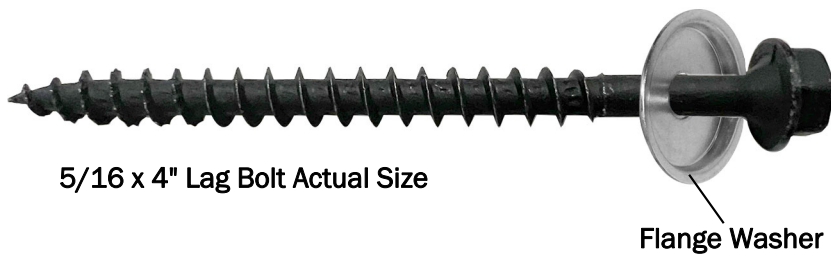
**Secure the Cabinet to the Wall into Wood Studs . . . . . 13**

**Secure the Cabinet to the Wall into Metal Studs or No Studs . . . . . 14**

### Secure the Cabinet to the Wall into Wood Studs

#### Recommended Tool

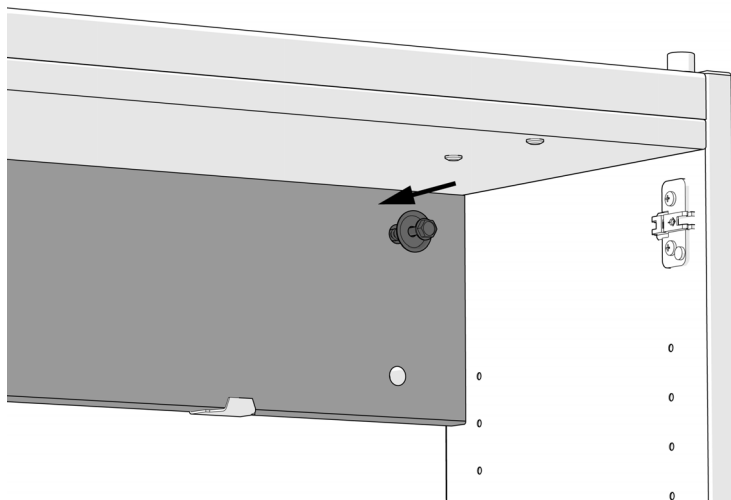
- 7/16" socket and ratchet



5/16 x 4" Lag Bolt Actual Size

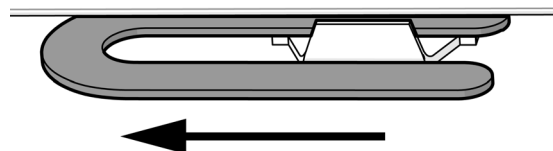
Flange Washer

**1** Install a flange washer on the 5/16 x 4" lag bolt.

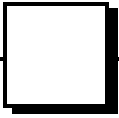


**2** Insert the lag bolt and washer through a pre-drilled hole and use a 7/16" socket and ratchet to fully tighten the bolt.

**3** Repeat steps 1-2 for each pre-drilled hole in the stringer.



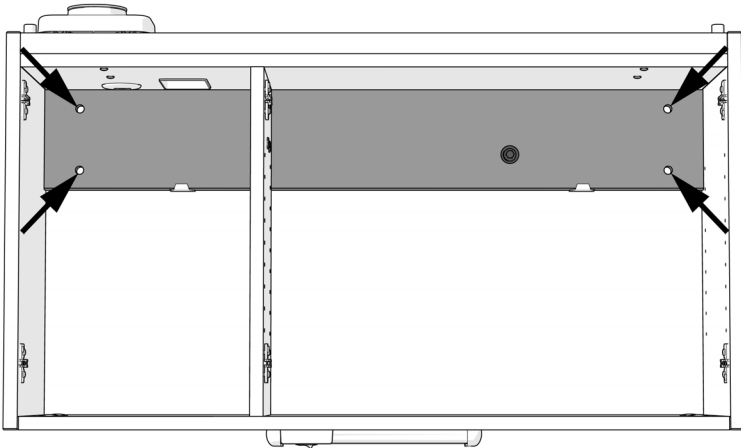
**4** Remove any shims used between the setup hangers and stringer to level the cabinet.



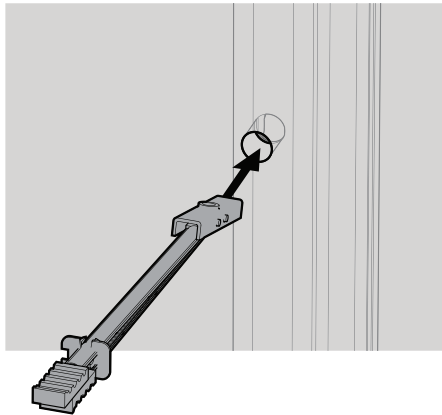
## Secure the Cabinet to the Wall into Metal Studs or No Studs

### Recommended Tools

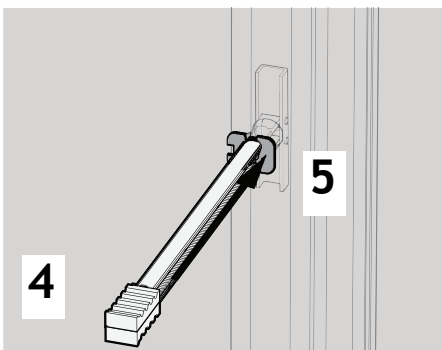
- Drill
- 1/2" drill bit
- 7/16" socket and ratchet



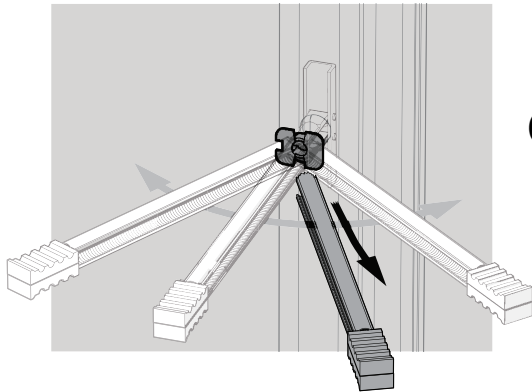
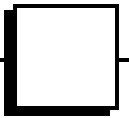
- 1** Use a 1/2" drill bit through the 4 pre-drilled holes in the stringer to drill holes into the wall.



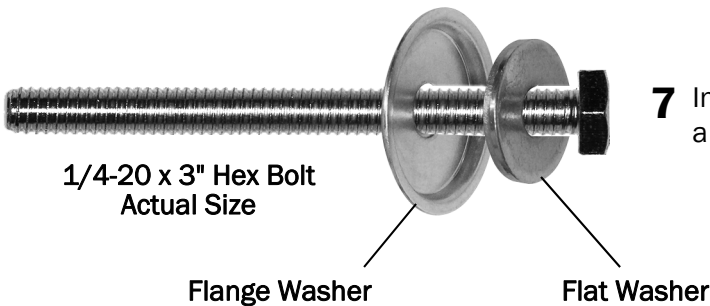
- 2** Hold the metal catch of the toggle anchor flat against the plastic strap.
- 3** Push the catch fully through the holes in the wall and stud.



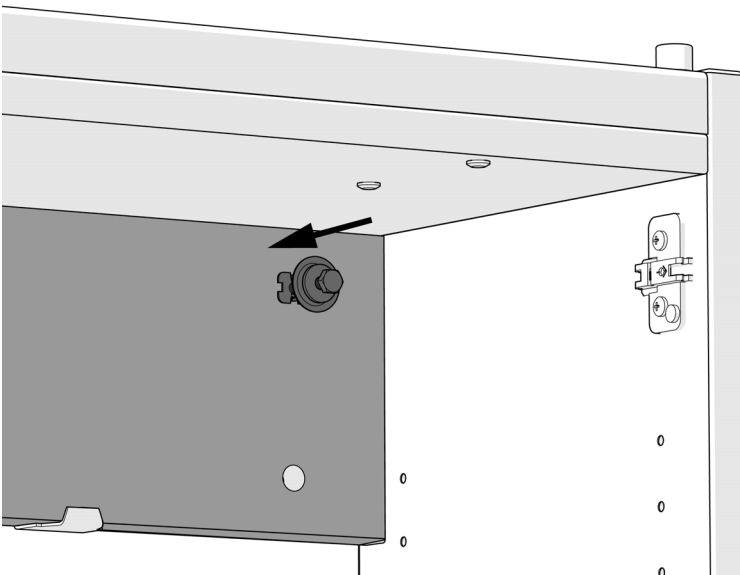
- 4** Pull the handle of the toggle anchor straight out.
- 5** Slide the plastic cap down the plastic strap until the cap is flush with the wall.



**6** Rock the strap side to side, snapping it off at the wall.



**7** Install the flat washer and flange washer on a 1/4-20 x 3" bolt.

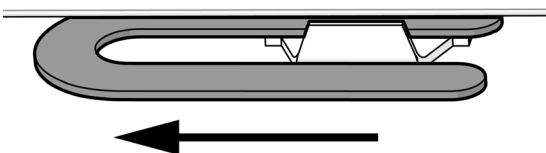


**CAUTION** To prevent stripping the bolt, begin its installation by hand.

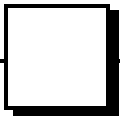
**8** Insert the 1/4-20 x 3" hex bolt and washers into the hole in the toggle bolt and start its installation by hand.

**9** Use a 7/16" socket and ratchet to fully tighten the bolt.

**10** Repeat steps 2-8 for each pre-drilled hole in the stringer.



**11** Remove any shims used between the setup hangers and stringer to level the cabinet.

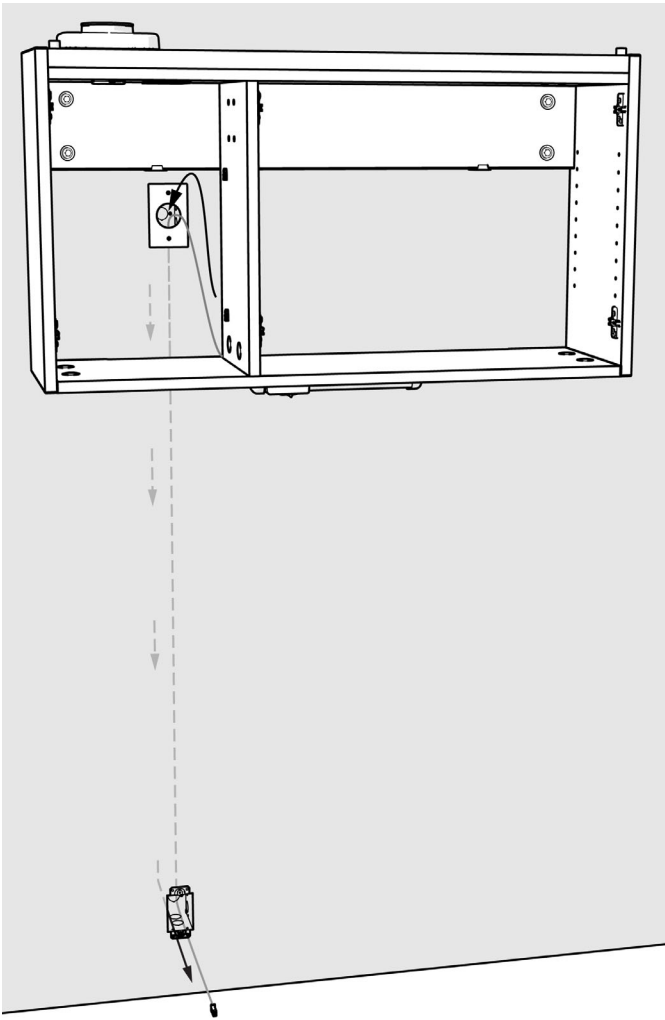


## Prepare the Cabinet

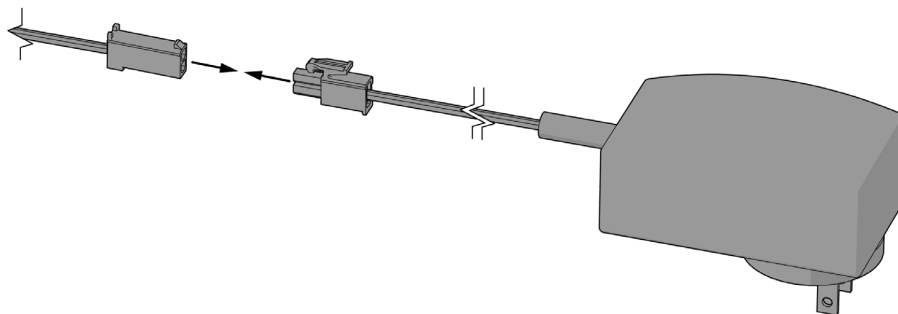
### Route and Connect the LED Task Light

#### Recommended Tool

- Cable snake

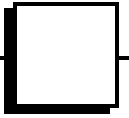


- 1** Route the LED task light cable down through the wall and out of a hole in the bottom of the wall.

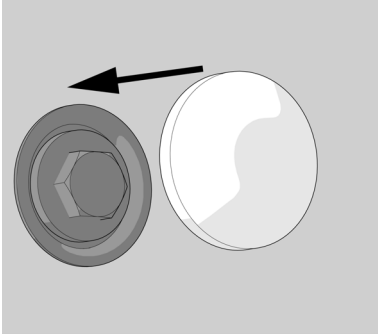


- 2** Connect the wire to its plug and plug it in.



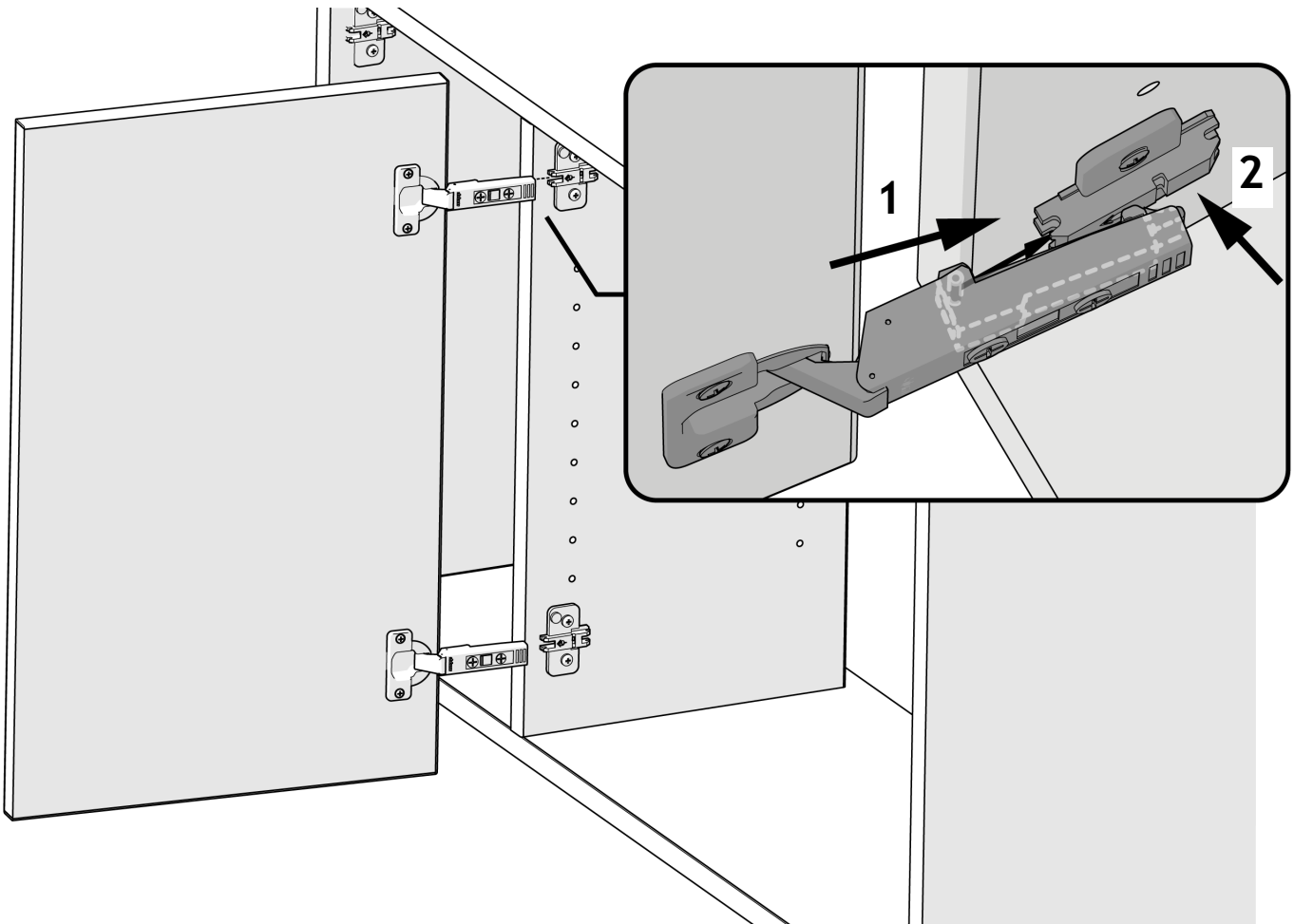


## Install the Anchor Screw Caps

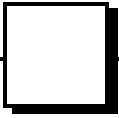


- 1 Install the caps over the anchor screws securing the cabinet to the wall.

## Install the Doors



- 1 Insert the door hinge onto the front catch of the hinge mounting plates,
- 2 To lock the hinge in place, press the back of the hinge onto the hinge plate.



## Adjust the Doors

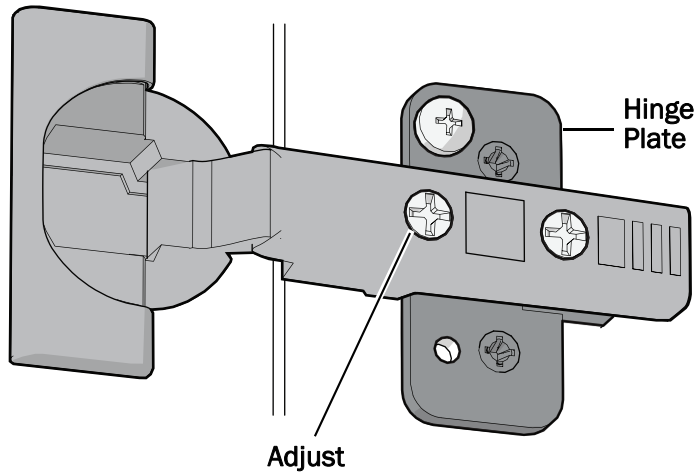
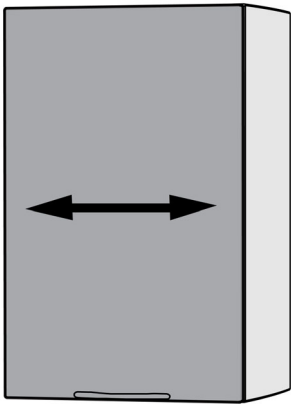
### Recommended Tool

- #2 Pozidriv® screwdriver

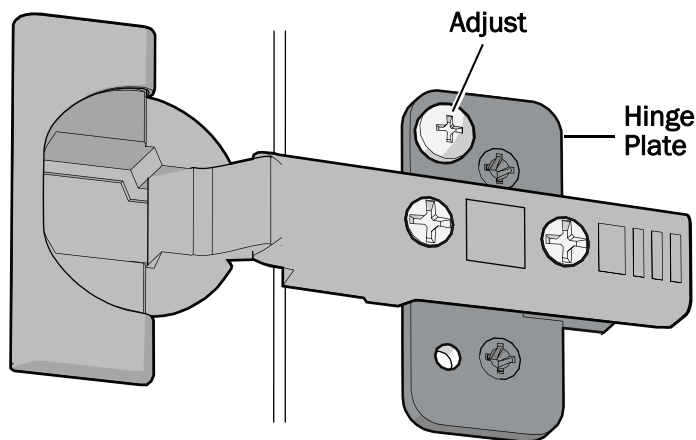
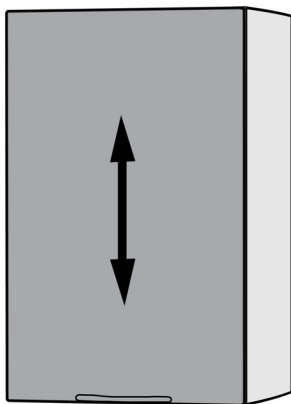


**CAUTION** To avoid damaging the screws, use a #2 Pozidriv® screwdriver to adjust the door hinge screws.

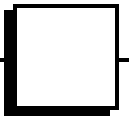
### Side to Side



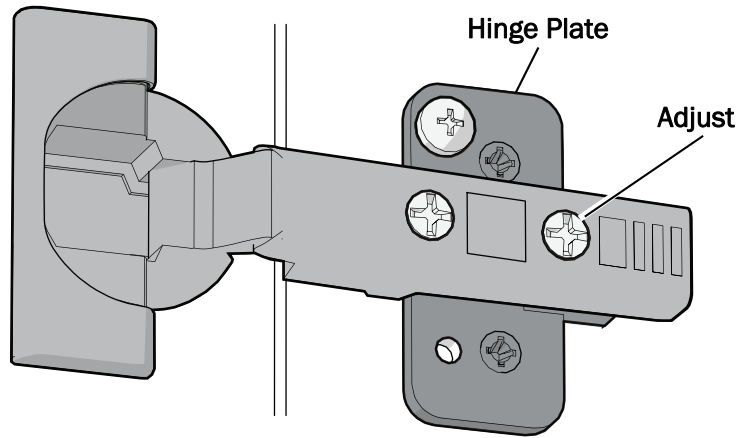
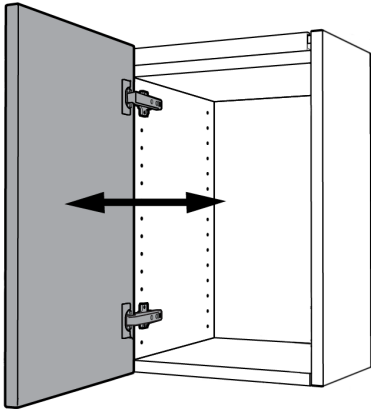
### Up and Down

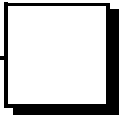


**NOTE** The screw on the hinge plate may be at the top or bottom, depending on the door.



**Back to Front**





## Test the Cabinet

After you have completed the installation of the A-dec Inspire 395 Wall-Mounted Cabinet, use the *A-dec Dental Furniture Installation Checklist* (p/n 86.0624.00) to test the cabinet. The checklist ships with the product.

## Regulatory Information and Warranty

For required regulatory information and the A-dec warranty, see the *Regulatory Information, Specifications, and Warranty* document (p/n 86.0221.00) available in the Resource Center at [www.a-dec.com](http://www.a-dec.com).



For quick access to this document online, scan, tap, or click this QR code, which points to [a-dec.com/regulatory-guide](http://a-dec.com/regulatory-guide).

Pozidriv is a registered trademark of the Phillips Screw Company in the United States and may also be a trademark or registered trademark in other countries. All other trademarks cited herein are registered trademarks or trademarks of A-dec, Inc. in the United States and may also be trademarks or registered trademarks in other countries.



### A-dec Headquarters

2601 Crestview Drive  
Newberg, OR 97132 USA  
Tel: 1.800.547.1883 Within USA/CAN  
Tel: +1.503.538.7478 Outside USA/CAN  
[www.a-dec.com](http://www.a-dec.com)

*A-dec, Inc. makes no warranty of any kind with regard to the content in this document including, but not limited to, the implied warranties of merchantability and fitness for a particular purpose.*



86.1092.00 Rev B  
Date of Issue 2024-02-28  
Copyright 2024 A-dec, Inc.  
All rights reserved.  
IG\_idf8